

**T737**  
AV Surround Sound Receiver

# SERVICE MANUAL

**T737**  
AV Surround Sound Receiver



# SECTION 1

## SUMMARY

### CONTENTS

PRODUCT SAFETY SERVICING GUIDELINES .....	1-3
SERVICING PRECAUTIONS .....	1-4
* General Servicing Precautions	
* Insulation checking procedure	
* Electrostatically Sensitive Devices	
SPECIFICATIONS .....	1-5
DISASSEMBLY .....	1-6
PRINCIPAL PART LOCATION .....	1-7
EXPLODED VIEW .....	1-8

# PRODUCT SAFETY SERVICING GUIDELINES

CAUTION : DO NOT ATTEMPT TO MODIFY THIS PRODUCT IN ANY WAY. NEVER PERFORM CUSTOMIZED INSTALLATIONS WITHOUT MANUFACTURER'S APPROVAL. UNAUTHORIZED MODIFICATIONS WILL NOT ONLY VOID THE WARRANTY, BUT MAY LEAD TO YOUR BEING LIABLE FOR ANY RESULTING PROPERTY DAMAGE OR USER INJURY.

SERVICE WORK SHOULD BE PERFORMED ONLY AFTER YOU ARE THOROUGHLY FAMILIAR WITH ALL OF THE FOLLOWING SAFETY CHECKS AND SERVICING GUIDELINES. TO DO OTHERWISE, INCREASES THE RISK OF POTENTIAL HAZARDS AND INJURY TO THE USER.

WHILE SERVICING, USE AN ISOLATION TRANSFORMER FOR PROTECTION FROM AC LINE SHOCK.

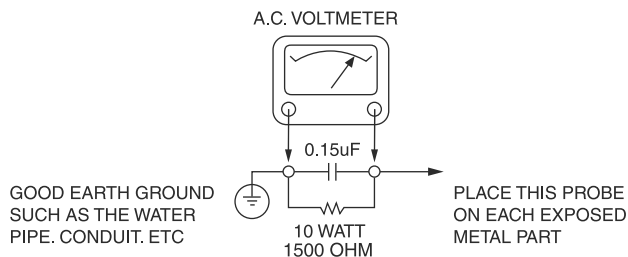
## SAFETY CHECKS

AFTER THE ORIGINAL SERVICE PROBLEM HAS BEEN CORRECTED. A CHECK SHOULD BE MADE OF THE FOLLOWING.

### SUBJECT : FIRE & SHOCK HAZARD

1. BE SURE THAT ALL COMPONENTS ARE POSITIONED IN SUCH A WAY AS TO AVOID POSSIBILITY OF ADJACENT COMPONENT SHORTS. THIS IS ESPECIALLY IMPORTANT ON THOSE MODULES WHICH ARE TRANSPORTED TO AND FROM THE REPAIR SHOP.
2. NEVER RELEASE A REPAIR UNLESS ALL PROTECTIVE DEVICES SUCH AS INSULATORS, BARRIERS, COVERS, SHIELDS, STRAIN RELIEFS, POWER SUPPLY CORDS, AND OTHER HARDWARE HAVE BEEN REINSTALLED PER ORIGINAL DESIGN. BE SURE THAT THE SAFETY PURPOSE OF THE POLARIZED LINE PLUG HAS NOT BEEN DEFEATED.
3. SOLDERING MUST BE INSPECTED TO DISCOVER POSSIBLE COLD SOLDER JOINTS, SOLDER SPLASHES OR SHARP SOLDER POINTS. BE CERTAIN TO REMOVE ALL LOOSE FOREIGN PARTICLES.
4. CHECK FOR PHYSICAL EVIDENCE OF DAMAGE OR DETERIORATION TO PARTS AND COMPONENTS. FOR FRAYED LEADS, DAMAGED INSULATION (INCLUDING AC CORD). AND REPLACE IF NECESSARY FOLLOW ORIGINAL LAYOUT, LEAD LENGTH AND DRESS.
5. NO LEAD OR COMPONENT SHOULD TOUCH A RECEIVING TUBE OR A RESISTOR RATED AT 1 WATT OR MORE. LEAD TENSION AROUND PROTRUDING METAL SURFACES MUST BE AVOIDED.
6. ALL CRITICAL COMPONENTS SUCH AS FUSES, FLAMEPROOF RESISTORS, CAPACITORS, ETC. MUST BE REPLACED WITH EXACT FACTORY TYPES, DO NOT USE REPLACEMENT COMPONENTS OTHER THAN THOSE SPECIFIED OR MAKE UNRECOMMENDED CIRCUIT MODIFICATIONS.
7. AFTER RE-ASSEMBLY OF THE SET ALWAYS PERFORM AN AC LEAKAGE TEST ON ALL EXPOSED METALLIC PARTS OF THE CABINET, (THE CHANNEL SELECTOR KNOB, ANTENNA TERMINALS. HANDLE AND SCREWS) TO BE SURE THE SET IS SAFET TO OPERATE WITHOUT DANGER OF ELECTRICAL SHOCK. DO NOT USE A LINE ISOLATION TRANSFORMER DURING THIS TEST USE AN AC VOLTMETER, HAVING 5000 OHMS PER VOLT OR MORE SENSITIVITY, IN THE FOLLOWING MANNER; CONNECT A 1500 OHM 10 WATT RESISTOR, PARALLELED BY A .15 MFD, 150V AC TYPE CAPACITOR BETWEEN A KNOWN GOOD EARTH GROUND (WATER PIPE, CONDUIT, ETC.) AND THE EXPOSED METALLIC PARTS, ONE AT A TIME.  
MEASURE THE AC VOLTAGE ACROSS THE COMBINATION OF 1500 OHM RESISTOR AND .15 MFD CAPACITOR.  
REVERSE THE AC PLUG AND REPEAT AC VOLTAGE MEASUREMENTS FOR EACH EXPOSED METALLIC PART.

VOLTAGE MEASURE MUST NOT EXCEED 75 VOLTS R.M.S. THIS CORRESPONDS TO 0.5 MILLIAMPER AC ANY VALUE EXCEEDING THIS LIMIT CONSTITUTES A POTENTIAL SHOCK HAZARD AND MUST BE CORRECTED IMMEDIATELY.



## SUBJECT : GRAPHIC SYMBOLS



THE LIGHTNING FLASH WITH ARROWHEAD SYMBOL, WITHIN AN EQUILATERAL TRIANGLE, IS INTENDED TO ALERT THE USER TO THE PRESENCE OF UNINSULATED "DANGEROUS VOLTAGE" WITHIN THE PRODUCT'S ENCLOSURE THAT MAY BE OF SUFFICIENT MAGNITUDE TO CONSTITUTE A RISK OF ELECTRIC SHOCK.



THE EXCLAMATION POINT WITHIN AN EQUILATERAL TRIANGLE IS INTENDED TO ALERT THE USER TO THE PRESENCE OF IMPORTANT OPERATING AND MAINTENANCE (SERVICING) INSTRUCTIONS IN THE LITERATURE ACCOMPANYING THE APPLIANCE.

## SUBJECT : TIPS ON PROPER INSTALLATION

1. NEVER INSTALL ANY PRODUCT IN A CLOSED-IN RECESS, CUBBYHOLE OR CLOSELY FITTING SHELF SPACE. OVER OR CLOSE TO HEAT DUCT, OR IN THE PATH OF HEATED AIR FLOW.
2. AVOID CONDITIONS OF HIGH HUMIDITY SUCH AS: OUTDOOR PATIO INSTALLATIONS WHERE DEW IS A FACTOR, NEAR STEAM RADIATORS WHERE STEAM LEAKAGE IS A FACTOR, ETC.
3. AVOID PLACEMENT WHERE DRAPERIES MAY OBSTRUCT REAR VENTING. THE CUSTOMER SHOULD ALSO AVOID THE USE OF DECORATIVE SCARVES OR OTHER COVERINGS WHICH MIGHT OBSTRUCT VENTILATION.
4. WALL AND SHELF MOUNTED INSTALLATIONS USING A COMMERCIAL MOUNTING KIT MUST FOLLOW THE FACTORY APPROVED MOUNTING INSTRUCTIONS A PRODUCT MOUNTED TO A SHELF OR PLATFORM MUST RETAIN ITS ORIGINAL FEET (OR THE EQUIVALENT THICKNESS IN SPACERS) TO PROVIDE ADEQUATE AIR FLOW ACROSS THE BOTTOM, BOLTS OR SCREWS USED FOR FASTENERS MUST NOT TOUCH ANY PARTS OR WIRING. PERFORM LEAKAGE TEST ON CUSTOMIZED INSTALLATIONS.
5. CAUTION CUSTOMERS AGAINST THE MOUNTING OF A PRODUCT ON SLOPING SHELF OR A TILTED POSITION, UNLESS THE PRODUCT IS PROPERLY SECURED.
6. A PRODUCT ON A ROLL-ABOUT CART SHOULD BE STABLE ON ITS MOUNTING TO THE CART. CAUTION THE CUSTOMER ON THE HAZARDS OF TRYING TO ROLL A CART WITH SMALL CASTERS ACROSS THRESHOLDS OR DEEP PILE CARPETS.
7. CAUTION CUSTOMERS AGAINST THE USE OF A CART OR STAND WHICH HAS NOT BEEN LISTED BY UNDERWRITERS LABORATORIES, INC. FOR USE WITH THEIR SPECIFIC MODEL OF TELEVISION RECEIVER OR GENERICALLY APPROVED FOR USE WITH T.V.'S OF THE SAME OR LARGER SCREEN SIZE.
8. CAUTION CUSTOMERS AGAINST THE USE OF EXTENSION CORDS, EXPLAIN THAT A FOREST OF EXTENSIONS SPROUTING FROM A SINGLE OUTLET CAN LEAD TO DISASTROUS CONSEQUENCES TO HOME AND FAMILY.

# SERVICING PRECAUTIONS

**CAUTION :** Before servicing the A/V Receiver covered by this service data and its supplements and addends, read and follow the **SAFETY PRECAUTIONS**. **NOTE :** if unforeseen circumstances create conflict between the following servicing precautions and any of the safety precautions in this publication, always follow the safety precautions.

*Remember Safety First:*

## General Servicing Precautions

1. Always unplug the A/V Receiver AC power cord from the AC power source before:
  - (1) Removing or reinstalling any component, circuit board, module, or any other assembly.
  - (2) Disconnecting or reconnecting any internal electrical plug or other electrical connection.
  - (3) Connecting a test substitute in parallel with an electrolytic capacitor.

**Caution :** A wrong part substitution or incorrect polarity installation of electrolytic capacitors may result in an explosion hazard.
2. Do not spray chemicals on or near this A/V Receiver or any of its assemblies.
3. Unless specified otherwise in this service data, clean electrical contacts by applying an appropriate contact cleaning solution to the contacts with a pipe cleaner, cottontipped swab, or comparable soft applicator.  
Unless specified otherwise in this service data, lubrication of contacts is not required.
4. Do not defeat any plug/socket B+ voltage interlocks with which instruments covered by this service manual might be equipped.
5. Do not apply AC power to this A/V Receiver and/or any of its electrical assemblies unless all solid-state device heat sinks are correctly installed.
6. Always connect test instrument ground lead to the appropriate ground before connecting the test instrument positive lead. Always remove the test instrument ground lead last.

## Insulation Checking Procedure

Disconnect the attachment plug from the AC outlet and turn the power on. Connect an insulation resistance meter(500V) to the blades of the attachment plug. The insulation resistance between each blade of the attachment plug and accessible conductive parts (Note 1) should be more than 1M-ohm.

**Note 1 :** Accessible Conductive Parts including Metal panels, Input terminals, Earphone jacks, etc.

## Electrostatically Sensitive (ES) Devices

Some semiconductor (solid state) devices can be damaged easily by static electricity. Such components commonly are called Electrostatically Sensitive (ES) Devices. Examples of typical Es devices are integrated circuits and some field effect transistors and semiconductor chip components.

The following techniques should be used to help reduce the incidence of component damage caused by static electricity.

1. Immediately before handling any semiconductor component or semiconductor-equipped assembly, drain off any electrostatic charge on your body by touching a known earth ground. Alternatively, obtain and wear a commercially available discharging wrist strap device, which should be removed for potential shock reasons prior to applying power to the unit under test.
2. After removing an electrical assembly equipped with ES devices, place the assembly on a conductive surface such as aluminum foil, to prevent electrostatic charge buildup or exposure of the assembly.
3. Use only a grounded-tip soldering iron to solder or unsolder ES devices.
4. Use only an antistatic solder removal device. Some solder removal devices not classified a "anti-static" can generate electrical charges sufficient to damage ES devices.
5. Do not use freonpropelled chemicals. These can generate electrical charge sufficient to damage ES devices.
6. Do not remove a replacement ES device from its protective package until immediately before you are ready to install it. (Most replacement ES devices are packaged with leads electrically shorted together by conductive foam, aluminum foil, or comparable conductive material).
7. Immediately before removing the protective material from the leads of a replacement ES device, touch the protective material to the chassis or circuit assembly into which the device will be installed.

**Caution :** Be sure no power is applied to the chassis or circuit, and observe all other safety precautions.

8. Minimize bodily motions when handing unpackaged replacement ES devices. (Normally harmless motion such as the brushing together of your clothes fabric or the lifting of your foot from a carpeted floor can generate static electricity sufficient to damage an ES device.)

# SPECIFICATIONS

## Amplifier Section

Output Power(Front):

F.T.C Ration:

80 watts RMS per channel minimum,  
both channels driven into 8 ohms from  
20Hz to 20KHz with no more than 0.08%  
total harmonic distortion

Surround Output Power (0.08% THD,1KHz,8ohms):

40 + 40 Watt (Front)  
40 Watt (Center)  
40 + 40 Watt (Surr)  
40 + 40 Watt (Back Surr)

Total Harmonic Distortion (Front):

0.08% (at 45 Watts, 1KHz)

Audio input Sensitivity/Impedance :

\* Line : 300 mV/47 Kohms

Output Level / Impedance

REC : 300 mV/2.2Kohms

Frequency Response :

\* Line : 10Hz – 80KHz, +1/-3dB

Signal-to-Noise Radio : 1 Watt

\* Line : 100 dB (IHF-A)

Tone Control

BASS : +/- dB at 100Hz

TREBLE : +/- dB at 10KHz

## Digital audio Section

Sampleing Frequency :

32KHz, 44.1KHz, 48KHz, 96KHz

Digital Input Level/Impedance

Coaxial : 0.5 Vp-p/75 ohms

OPTICAL : -15dBm ~ -21dBm

## Video Section

Input Sensitivity/Impedance : 1.0Vp-p/75ohms

Output Level/Impedance : 1.0Vp-p/75ohms

\*Linemeans Source 1~6, Front, MP

\* Improvements may result in specifications and features  
changing without notice

\* Illustrations may differ slightly from production models.

## FM Tuner Section

(Without notes 100.1MHz, 65dBf)

Tuning Range

87.5MHz – 108.0MHz C:50KHz steps  
AH:100KHz steps

AM Suppression Ratio : C : 50 dB

AH : 50 dB

Total Harmonic Distortion(1KHz) :

Mono : 0.3%

Stereo : 0.5%

Frequency Response : 20Hz – 15KHz, +1/-1.5dB

Stereo Separation(1KHz) : C : 35dB

AH : 35dB

Signal-to-Noise Ratio:

Mono : 70dB

Stereo : 65dB

## AM Tuner Section

Tuning Range:

C:522KHz-1620KHz(9KHz steps)

AH:520KHz-1710KHz(10KHz steps)

Usable Sensitivity : 60dB

Total Harmonic Distortion : 1.5%

Signal-to-Noise Ratio : 40dB

## General

Power Requirements :

C : 230V AC, 50Hz

AH : 120V AC, 60Hz

Power Consumption : C : 2.0A

AH : 3.5A

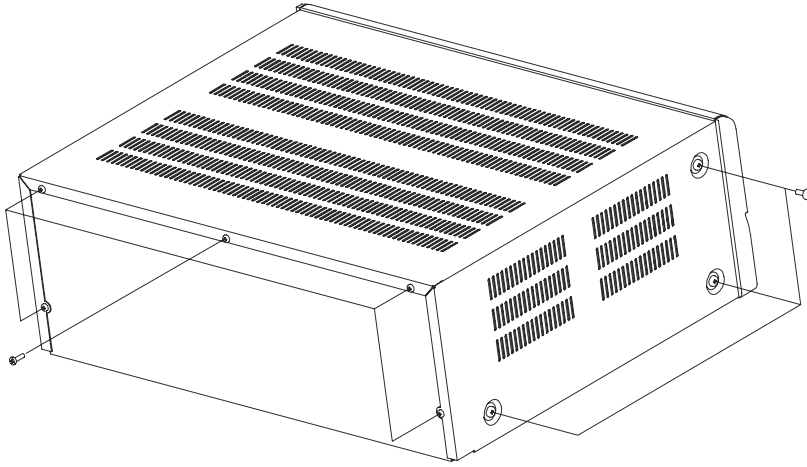
AC Outlets : unswitched x 1, Total 100W max.(1A)

Dimensions(W x H x D) : 435 x 167 x 374

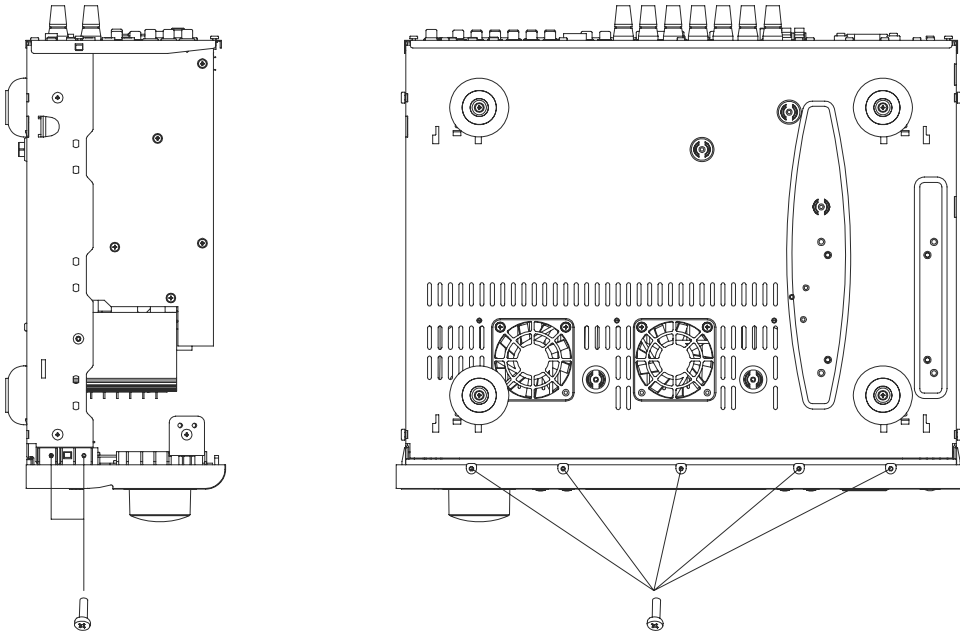
Weight(net) : 12.08Kg

## DISASSEMBLY

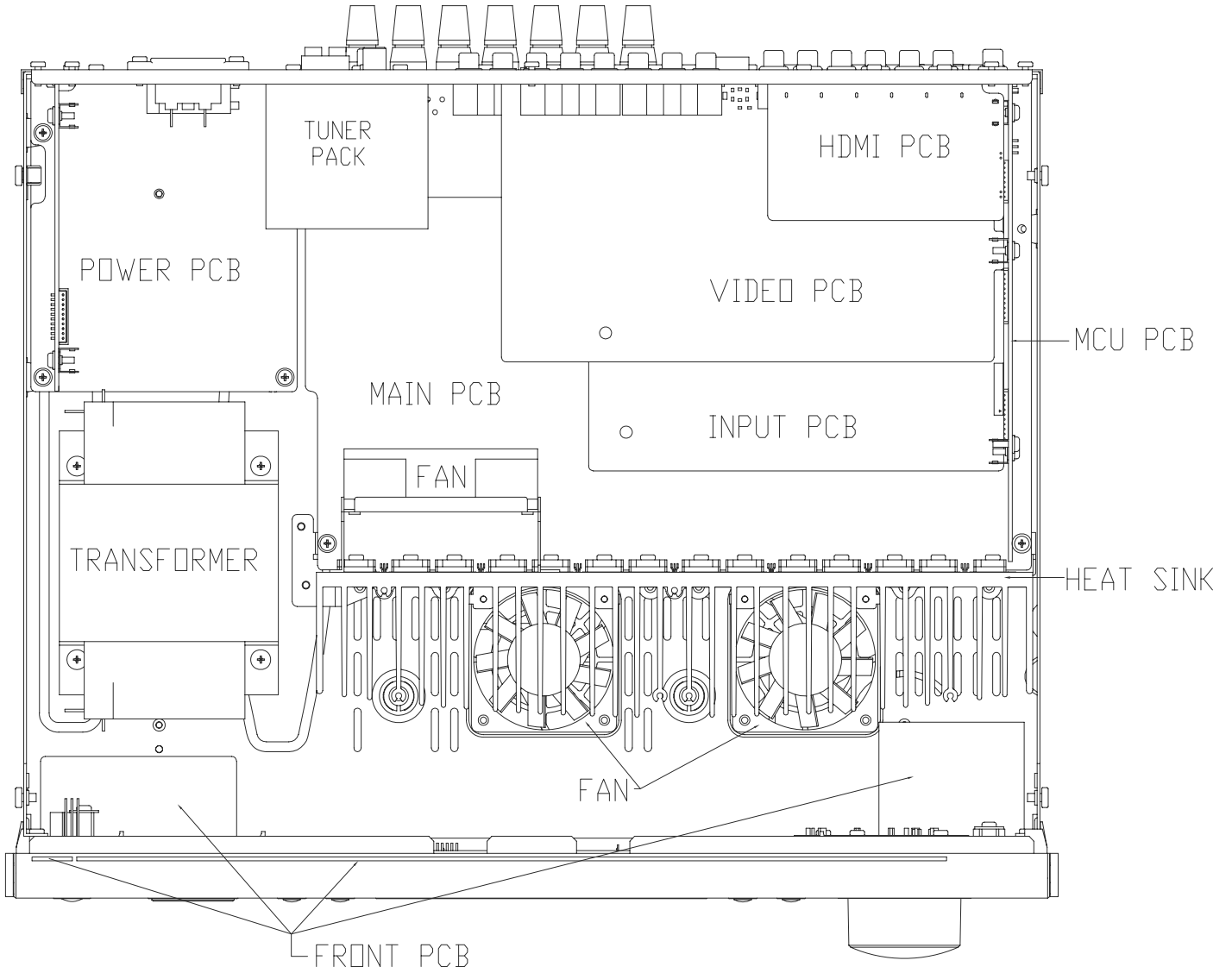
### 1> REMOVAL OF TOP COVER



### 2> REMOVAL OF FRONT PANEL



# PRINCIPAL PARTS LOCATION



# T737AH EXPLODED VIEW PARTS LIST (Graphite)

NO	DESCRIPTION	PARTS NO.	Q,ty	REMARK
1	WINDOW ,FIP	CGUIA434Y	1	
2	VOLUME KNOB ASS'Y	CGK1A145ZA	1	
	KNOB,VOLUME	CBN1A216	1	
	CAP,VOLUME	CGK1A145C64	1	
3	PANEL,AL	CKM1A208ZC64	1	
4	PANEL,FRONT	CGW1A475RBZB29	1	
5	COVER,JACK	CGR1A476B29	1	
6	BRACKET	CMD2A563	2	
7	POWER KNOB ASS'Y	CBT1A1103ZA	1	
	KNOB,POWER	CBT1A1103B29	1	
	INDICATOR,POWER	CGL1A280Z	1	
8	FUNCTION KNOB ASS'Y	CGK2A126ZA	1	
	CAP,FUNCTION	CGK1A126C64	1	
	KNOB,FUNCTION	CBT1A1102B29	1	
9	BUTTON ,SOURCE	CBT1A1104B29	2	
10	CABINET, TOP	CKC1A188B22	1	
11	HOLDER,PCB	CHE1A030	5	
12	BRACKET,HEAT SINK	CMD1A688	1	
13	HEAT SINK	CMY1A310	1	
14	BRACKET , FAN	CMD1A694	1	
15	FAN,MOTOR(80*80)	CFNKDE1208PTV1	1	
16	FAN,MOTOR(60*60*10)	CFNCF1210S	2	
17	PLATE,SHIELD R	CMC1A362	1	
18	PLATE,SHIELD L	CMC1A365	1	
19	CHASSIS ,BOTTOM	CUA1A292	1	
20	COVER,SCREW	CMD1A495	1	
21	FOOT	CKL1A086	4	
22	RUBBER,FOOT	CHG1A297	4	
23	SUPPORT,PCB 48	CRE1A075	2	
24	SUPPORT,PCB 31	CRE1A073	1	
25				
26	PANEL,REAR	CKF6A397ZK1	1	
27	AC INLET WIRE ASS'Y	CWZV1S0W0CN99A	1	
28	MODULE,TUNER USA	CNVMB014MA0J8LS	1	
29	TRANS,POWER	CLT5V049ZU	1	
30	FRONT PCB ASS'Y	COP12126F	1	
		30-1 COP12126-1	1	
		30-2 COP12126-2	1	
		30-3 COP12126-3	1	
		30-4 COP12126-4	1	
		30-5 COP12126-5	1	
		30-6 COP12126-6	1	
		30-7 COP12126-7	1	
31	MAIN PCB ASS'Y	COP12121F	1	
32	MCU PCB ASS'Y	COP12117F	1	
33	INPUT PCB ASS'Y	COP12118F	1	
		33-1 COP12118-1	1	
		33-2 COP12118-2	1	
		33-3 COP12118-3	1	
34	VIDEO PCB ASS'Y	COP12123F	1	
35	HDMI PCB ASS'Y	COP12124F	1	

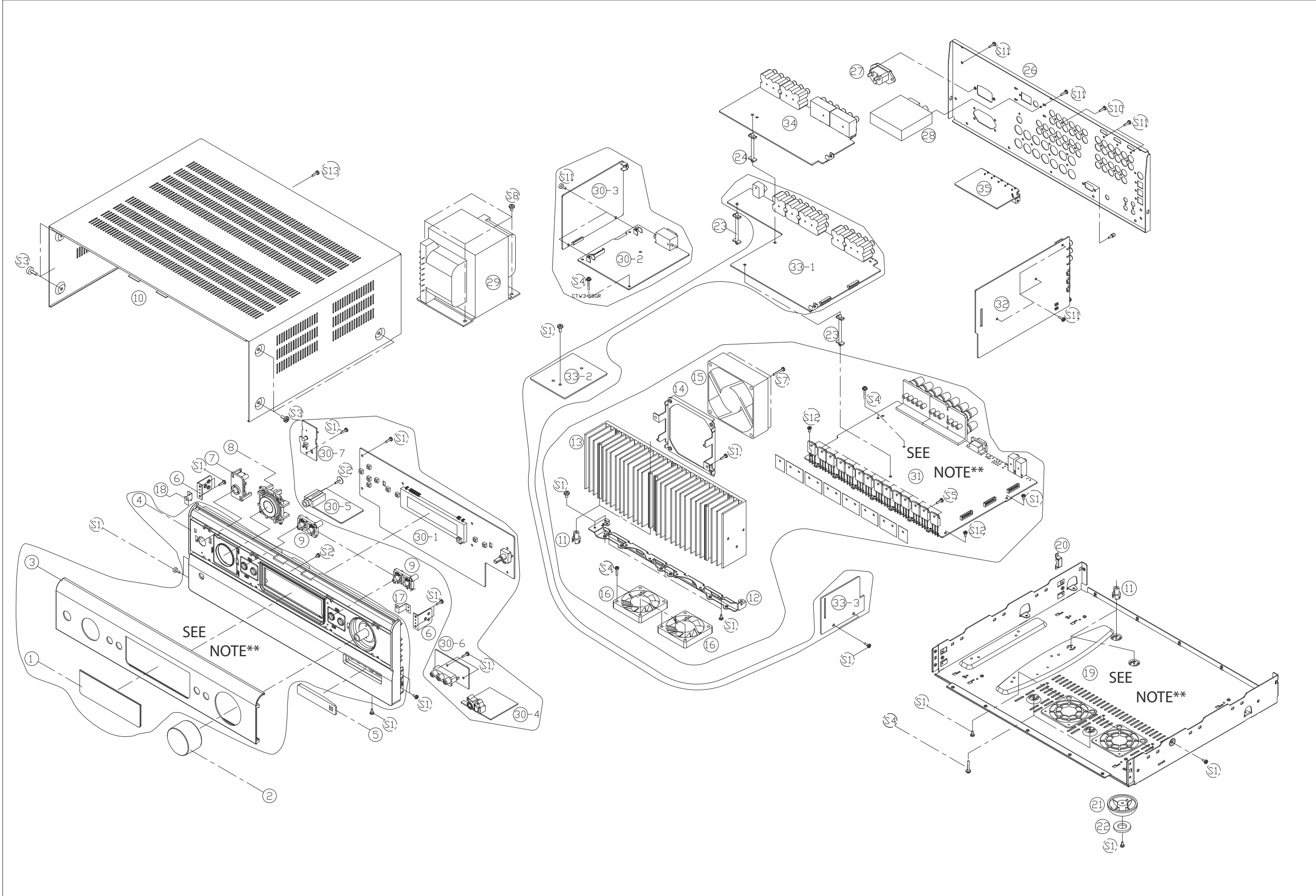
NO	DESCRIPTION	PARTS NO.	Q,ty
S1	SCREW	CTB3+8JFZR	53
S2	SCREW	CTWS3+10GR	1
S3	SCREW	CTB4+6FFZR	6
S4	SCREW	CTW3+18JR	13
S5	SCREW	CHD1A012ZR	15
S6	SCREW	CHD4A012R	1
S7	SCREW,SPECIAL	CHD1A036R	4
S8	SCREW,TRANS	CHD1A023R	4
S9	SCREW	CTB3+8JR	9
S10	SCREW	CTB3+10JFZR	20
S11	SCREW	CTB3+6FFZR	9
S12	SCREW	CTW3+6JR	2

NOTE \*\*

AMP ASSEMBLY #31 & CHASSIS #19  
 ARE SOLD TOGETHER  
 FASCIA ASSEMBLY #1, #3, & #4  
 ARE SOLD TOGETHER

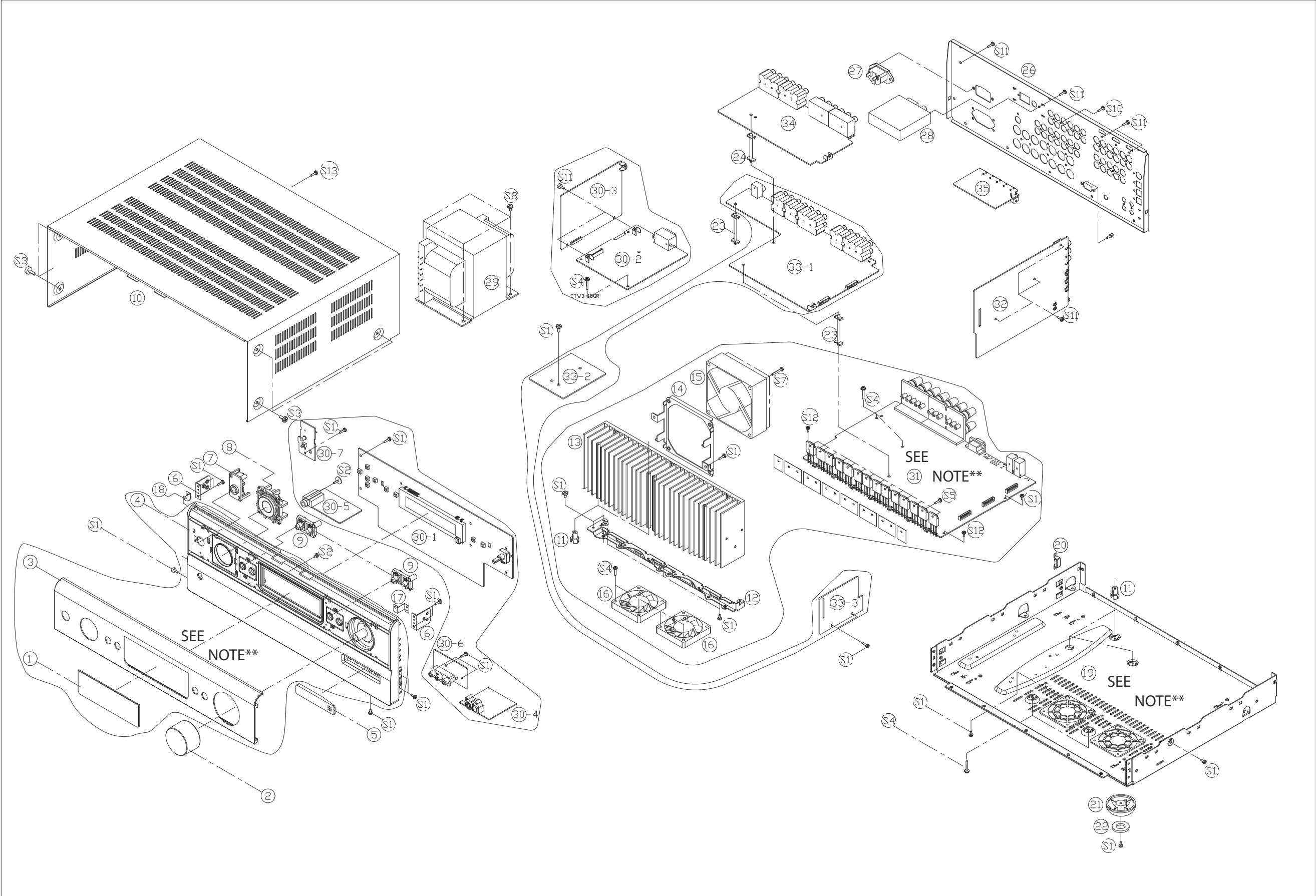


# T737AH EXPLODED VIEW (Graphite)



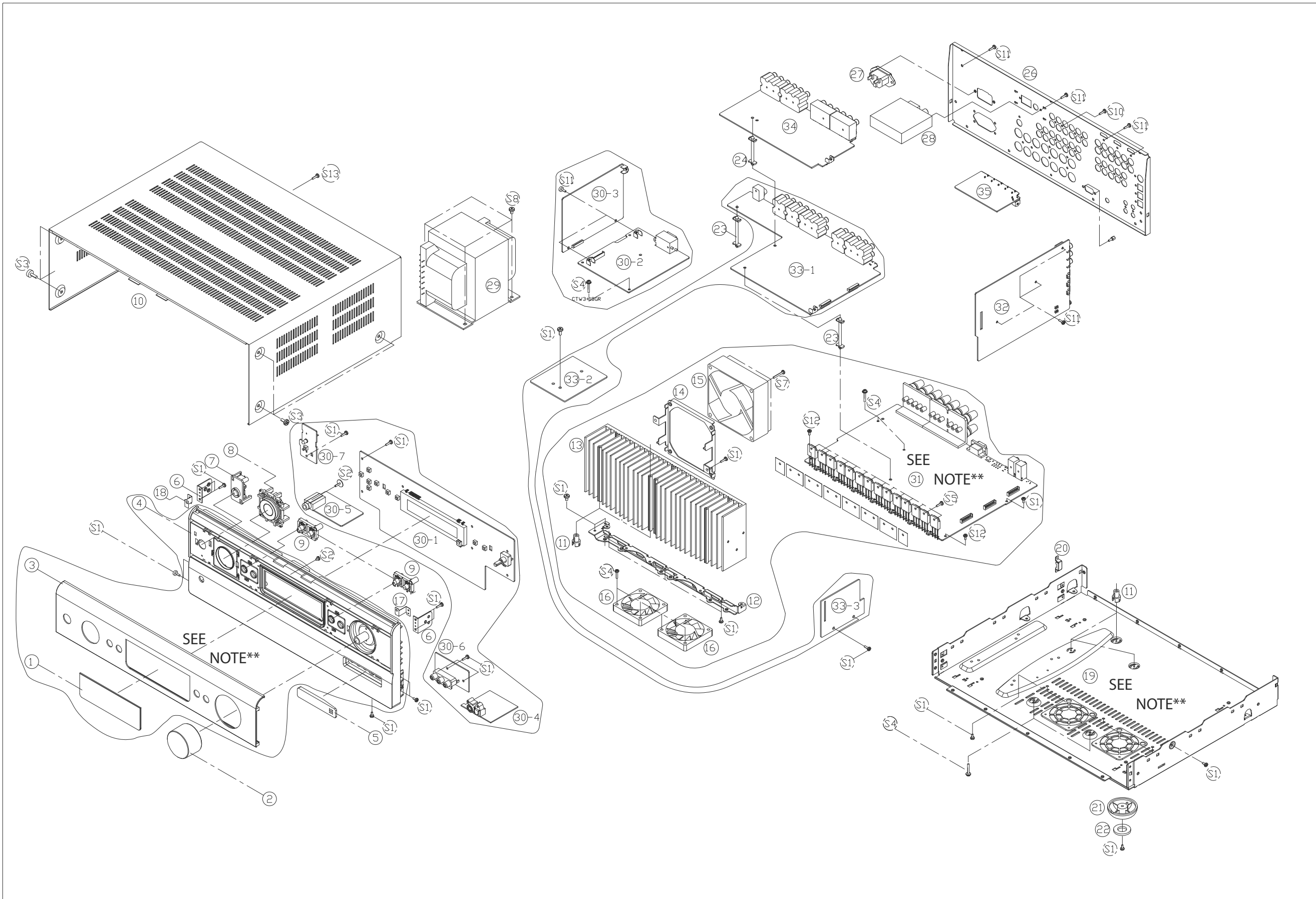


T737C EXPLODED VIEW (Graphite)





# T737CT EXPLODED VIEW (Titanium)



# SECTION 2

## ELECTRICAL CONTENTS

### CONTENTS

<b>IC BLOCK DIAGRAMS &amp; PIN DESCRIPTION .....</b>	<b>2-2</b>
<b>DIAGRAM .....</b>	<b>2-31</b>
1. BLOCK DIAGRAM .....	2-28
2. WIRING DIAGRAM .....	2-34
3. SCHEMATIC DIAGRAM .....	2-36
● FRONT PART .....	2-36
● POWER PART .....	2-38
● MCU PART .....	2-40
● DSP&CODEC WITH DIR PART .....	2-42
● INPUT&VOLUME PART .....	2-44
● XM&TUNER PART .....	2-46
● HDMI SW PART .....	2-48
● VIDEO PART .....	2-50
● VIDEO ENCODER PART .....	2-52
● AMP PART .....	2-54
4. PRINTED CIRCUIT BOARDS .....	2-58
● FRONT .....	2-58
● MAIN .....	2-62
● INPUT .....	2-64
● VIDEO .....	2-68
● HDMI .....	2-70
● AMP .....	2-72
5. TROUBLESHOOTING .....	2-76

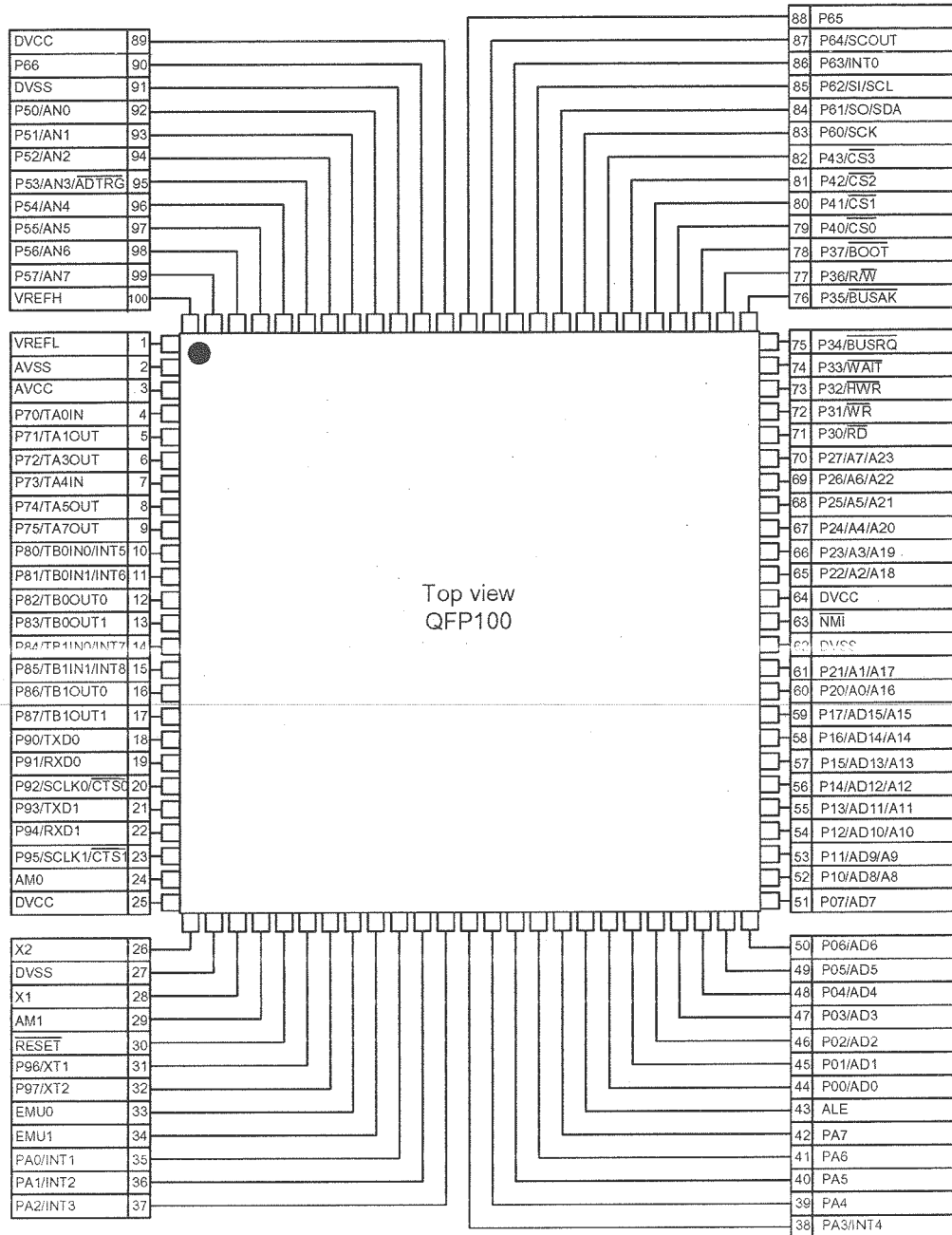
# IC BLOCK DIAGRAMS & PIN DESCRIPTION

IC PIN DECRIBTIONS(IC201 : FLASH u-COM : T5CC1)			
PIN No	Port Name	(I/O)	FUNCTION
1	VREFL		GND
2	AVSS		GND
3	AVCC		3.3V
4	P70/TA0IN	O	VFD_CS
5	P71/TA1OUT	O	VFD_CLK
6	P72/TA3OUT	O	VFD_DATA
7	P73/TA4IN	O	VFD_RST
8	P74/TA5OUT	I	HP_IN
9	P75/TA7OUT	O	UART1_RESET
10	P80/TB0IN0/INT5	I	URAT1_IRQ
11	P81/TB0IN1/INT6	O	UART1_CLK
12	P82/TB0OUT0	O	UART1_CS
13	P83/TB0OUT1	I	UART1_DATA_IN
14	P84/TB1IN0/INT7	O	UART1_DATA_OUT
15	P85/TB1IN1/INT8	I	TORINO_MUTE_IN
16	P86/TB1OUT0	O	HDMI_SW1
17	P87/TB1OUT1	O	HDMI_SW2
18	P90/TXD0	O	TORINO_TX
19	P91/RXD0	I	TORINO_RX
20	P92/SCLK0/CTS0	O	TORINO_RESET
21	P93/TXD1	O	UART_TX
22	P94/RXD1	I	UART_RX
23	P95/SCLK1/CTS1	I	DSP_MODE_SEL
24	AM0		3.3V
25	DVCC		3.3V
26	X2	O	X_TAL_OUT
27	DVSS		GND
28	X1	I	X_TAL_IN
29	AM1		3.3V
30	RE	I	RESET
31	P96/XT1	I	
32	P97/XT2	I	
33	EMU0		
34	EMU1		
35	PA0/INT1		REMOTE_IN
36	PA1/INT2		MULTI_IR_IN
37	PA2/INT3		RDS_CLK
38	PA3/INT4	I	BACK_UP
39	PA4	O	PLL-CE
40	PA5	I	PLL_DATA_IN
41	PA6	O	PLL_CLK
42	PA7	O	PLL_DATA_OUT
43	ALE		N.C
44	P00/AD0	I	TUNED
45	P01/AD1	I	STEREO
46	P02/AD2	I	RDS_DATA
47	P03/AD3	I	OPTION
48	P04/AD4	I	OPTION
49	P05/AD5	O	SCL(EEPROM)
50	P06/AD6	I/O	SDA(EEPROM)

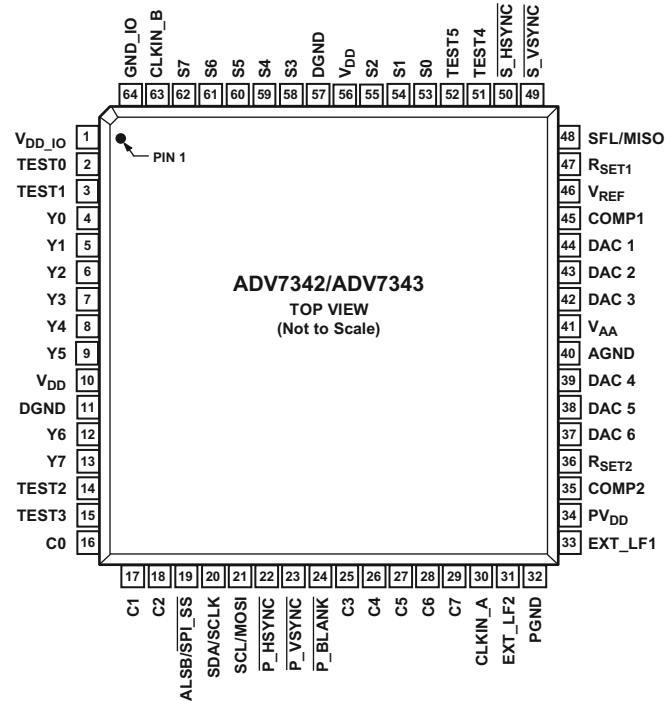
PIN No	Port Name	(I/O)	FUNCTION
51	P07/AD7	I	PROTECT_IN
52	P10/AD8/A8	O	SUB_VOL_STB
53	P11/AD9/A9	O	SUB_VOL_CLK
54	P12/AD10/A10	O	SUB_VOL_DATA
55	P13/AD11/A11	O	MAIN_VOL_MUTE
56	P14/AD12/A12	O	MAIN_VOL_CLK
57	P15/AD13/A13	O	MAIN_VOL_DATA
58	P16/AD14/A14	O	FUNCTION_MUTE
59	P17/AD15/A15	O	EXP_CE2
60	P20/A0/A16	O	DIR_RESET
61	P21/A1/A17	O	DIR_CS
62	DVSS		GND
63	NMI		3.3V
64	DVCC		3.3V
65	P22/A2/A18	I	DIR_D_OUT
66	P23/A3/A19	I	DSP_SPC1_IRQ
67	P24/A4/A20	O	DSP_DIR_CLK
68	P25/A5/A21	I	DSP_DATA
69	P26/A6/A22	O	DSP_CS
70	P27/A7/A23	O	DSP_DIR_DATA
71	P30/RD	O	HDMI_SW1
72	P31/WR	O	HDMI_SW2
73	P32/HWR	I	DSP_PCP_BSY
74	P33/WAIT	O	DSP_RESET
75	P34/BUSRQ	O	EXP_CE1
76	P35/BUSAK	O	EXP_CLK
77	P36/R/W	O	EXP_DATA
78	P37/BOOT	I	BOOT_MODE
79	P40/CS0	I	URAT2_IRQ
80	P41/CS1	O	UART2_CLK
81	P42/CS2	O	UART2_CS
82	P43/CS3	I	UART2_DATA_IN
83	P60/SCK	O	UART2_DATA_OUT
84	P61/SO/SDA	O	UART2_RESET
85	P62/SI/SCL	O	VIDEO_SDA
86	P63/INT0		VIDEO_SCL
87	P64/SCOUT	O	POWER_ON
88	P65	O	MIC_ON
89	DVCC		3.3V
90	P66	I	IPOD_DETECT
91	DVSS		GND
92	P50/AN0	I	KEY1
93	P51/AN1	I	KEY2
94	P52/AN2	I	KEY3
95	P53/AN3/ADTRG	I	VOL_EN1
96	P54/AN4	I	VOL_EN2
97	P55/AN5		FUNC_EN1
98	P56/AN6		FUNC_EN2
99	P57/AN7		HDMI_INT
100	VREFH		3.3V



# IC201: T5CC1: Microcontrollers



# IC PIN DESCRIPTION (IC112: ADV7342: VIDEO ENCODER)



Pin No.	Mnemonic	Input/Output	Description
13, 12, 9 to 4	Y7 to Y0	I	8-Bit Pixel Port. Y0 is the LSB. Refer to Table 31 for input modes.
29 to 25, 18 to 16	C7 to C0	I	8-Bit Pixel Port. C0 is the LSB. Refer to Table 31 for input modes.
62 to 58, 55 to 53	S7 to S0	I	8-Bit Pixel Port. S0 is the LSB. Refer to Table 31 for input modes.
52, 51, 15, 14, 3, 2	TEST5 to TEST0	I	Unused. These pins should be connected to DGND.
30	CLKIN_A	I	Pixel Clock Input for HD Only (74.25 MHz), ED <sup>1</sup> Only (27 MHz or 54 MHz) or SD Only (27 MHz).
63	CLKIN_B	I	Pixel Clock Input for Dual Modes Only. Requires a 27 MHz reference clock for ED operation or a 74.25 MHz reference clock for HD operation.
50	$\overline{S\_HSYNC}$	I/O	SD Horizontal Synchronization Signal. This pin can also be configured to output an SD, ED, or HD horizontal synchronization signal. See the External Horizontal and Vertical Synchronization Control section.
49	$\overline{S\_VSYNC}$	I/O	SD Vertical Synchronization Signal. This pin can also be configured to output an SD, ED, or HD vertical synchronization signal. See the External Horizontal and Vertical Synchronization Control section.
22	$\overline{P\_HSYNC}$	I	ED/HD Horizontal Synchronization Signal. See the External Horizontal and Vertical Synchronization Control section.
23	$\overline{P\_VSYNC}$	I	ED/HD Vertical Synchronization Signal. See the External Horizontal and Vertical Synchronization Control section.
24	$\overline{P\_BLANK}$	I	ED/HD Blanking Signal. See the External Horizontal and Vertical Synchronization Control section.
48	SFL/MISO	I/O	Multifunctional Pin: Subcarrier Frequency Lock (SFL) Input/SPI Data Output. The SFL input is used to drive the color subcarrier DDS system, timing reset, or subcarrier reset.
47	RSET1	I	This pin is used to control the amplitudes of the DAC 1, DAC 2, and DAC 3 outputs. For full-drive operation (for example, into a 37.5 $\Omega$ load), a 510 $\Omega$ resistor must be connected from RSET1 to AGND. For low drive operation (for example, into a 300 $\Omega$ load), a 4.12 k $\Omega$ resistor must be connected from RSET1 to AGND.

Pin No.	Mnemonic	Input/ Output	Description
36	R <sub>SET2</sub>	I	This pin is used to control the amplitudes of the DAC 4, DAC 5, and DAC 6 outputs. A 4.12 k $\Omega$ resistor must be connected from R <sub>SET2</sub> to AGND.
45, 35	COMP1, COMP2	O	Compensation Pins. Connect a 2.2 nF capacitor from both COMP pins to V <sub>AA</sub> .
44, 43, 42	DAC 1, DAC 2, DAC 3	O	DAC Outputs. Full and low drive capable DACs.
39, 38, 37	DAC 4, DAC 5, DAC 6	O	DAC Outputs. Low drive only capable DACs.
21	SCL/MOSI	I	Multifunctional Pin: I <sup>2</sup> C Clock Input/SPI Data Input.
20	SDA/SCLK	I/O	Multifunctional Pin: I <sup>2</sup> C Data Input/Output. Also, SPI clock input.
19	ALSB/SPI_SS	I	Multifunctional Pin: This signal sets up the LSB <sup>2</sup> of the MPU I <sup>2</sup> C address. Also, SPI slave select.
46	V <sub>REF</sub>		Optional External Voltage Reference Input for DACs or Voltage Reference Output.
41	V <sub>AA</sub>	P	Analog Power Supply (3.3 V).
10, 56	V <sub>DD</sub>	P	Digital Power Supply (1.8 V). For dual-supply configurations, V <sub>DD</sub> can be connected to other 1.8 V supplies through a ferrite bead or suitable filtering.
1	V <sub>DD_IO</sub>	P	Input/Output Digital Power Supply (3.3 V).
34	PV <sub>DD</sub>	P	PLL Power Supply (1.8 V). For dual-supply configurations, PV <sub>DD</sub> can be connected to other 1.8 V supplies through a ferrite bead or suitable filtering.
33	EXT_LF1	I	External Loop Filter for On-Chip PLL 1.
31	EXT_LF2	I	External Loop Filter for On-Chip PLL 2.
32	PGND	G	PLL Ground Pin.
40	AGND	G	Analog Ground Pin.
11, 57	DGND	G	Digital Ground Pin.
64	GND_IO	G	Input/Output Supply Ground Pin.

# IC240: CS497004: DSP

GPIO9, PCP_A1 / A9	108	GPIO41, PCP_IRQ#	108	SD_A0, EXT_A0	72
GPIO8, PCP_A0 / A8	110	GPIO40, PCP_RD# / RW#		SD_A1, EXT_A1	
GPIO7, PCP_AD7 / D7		GPIO10, PCP_A2 / A10, SCP2_MOSI		SD_A2, EXT_A2	70
GPIO6, PCP_AD6 / D6		GPIO11, PCP_A3, AS#, SCP2_MISO / SDA	105	GND4	69
VDDIO7	113	GPIO39, PCP_CS#, SCP2_CS#		SD_A3, EXT_A3	
GPIO5, PCP_AD5 / D5		GPIO38, PCP_WR# / DS#, SCP2_CLK		SD_A4, EXT_A4	
GPIO4, PCP_AD4 / D4	115	GPIO37, SCP1_BSY#, PCP_BSY#		VDD4	66
GNDIO7	116	GND6	101	EXT_CS2#	65
GPIO3, PCP_AD3 / D3		GPIO36, SCP1_IRQ#	100	SD_A5, EXT_A5	
GPIO2, PCP_AD2 / D2		GPIO35, SCP1_CLK		GNDIO4	63
VDD7	119	VDD6	98	SD_A6, EXT_A6	
GPIO1, PCP_AD1 / D1	120	GPIO34, SCP1_MISO / SDA		SD_A7, EXT_A7	
GPIO0, PCP_AD0 / D0		GPIO32, SCP1_CS#, IOWAIT		VDDIO4	60
GND7	122	GPIO33, SCP1_MOSI	95	SD_A8, EXT_A8	
XTAL_OUT		GNDIO6	94	SD_A9, EXT_A9	
XTI		RESET#		GND3	57
XTO	125	GPIO30, XMTB_IN		SD_A11, EXT_A11	
GND4	126	VDDIO6	91	SD_A12, EXT_A12	55
NC		EXT_CS1#	90	VDD3	54
PLL_REF_RES		EXT_OE#		SD_CLKEN	
VDDA (3.3V)	129	EXT_A19		SD_CLKIN	
VDD8	130	EXT_A18		SD_CLKOUT	
GPIO14, DAH1_DATA3, TM3, DSD3		GND5	86	SD_DQM1	50
GPIO13, DAH1_DATA2, TM2, DSD2		EXT_A17	85	SD_D8, EXT_D8	
GND8	133	EXT_A16		SD_D9, EXT_D9	
GPIO12, DAH1_DATA1, TM1, DSD1		VDD5	83	GNDIO3	47
DAH1_DATA0, TM0, DSD0	135	EXT_A15		SD_D10, EXT_D10	
VDDIO8	136	SD_CS#		SD_D11, EXT_D11	45
DAH1_SCLK, DSD-CLK		SD_RAS#	80	VDDIO3	44
DAH1_LRCLK, DSD4		SD_CAS#		SD_D12, EXT_D12	
GNDIO8	139	SD_WE#		SD_D13, EXT_D13	
GPIO42, BDI_REQ# , DA12_LRCLK, PCP_IRQ# / BSY#	140	SD_BA1, EXT_A14		SD_D14, EXT_D14	
GPIO43, BDI_CLK, DA12_SCLK		GNDIO5	76	SD_D15, EXT_D15	40
BDI_DATA, DA12_DATA, DSD5		SD_BA0, EXT_A13	75	SD_D0, EXT_D0	
GPIO27		SD_A10, EXT_A10		EXT_WE#	
GPIO26	144	VDDIO5	73	SD_D1, EXT_D1	37
GPIO28, DDAC	1				
GPIO29, XMTA_IN					
DBDA					
DBCK					
GPIO21, DAO2_DATA3 / XMTB, UART_TX_ENABLE	5				
GPIO20, DAO2_DATA2					
GPIO19, DAO2_DATA1, HS4					
DAO_MCLK					
TEST	9				
VDD1	10				
GPIO18, DAO2_DATA0, HS3					
GPIO22, DAO2_SCLK					
GND1	13				
GPIO23, DAO2_LRCLK					
GPIO17, DAO1_DATA3 / XMTA	15				
GPIO16, DAO1_DATA2, HS2					
GPIO15, DAO1_DATA1, HS1					
VDDIO1	18				
DAO1_DATA0, HS0					
DAO1_SCLK					
GNDIO1	21				
DAO1_LRCLK					
GPIO31, UART_CLK					
VDD2	24				
GPIO25, UART_TXD, EE_CS#	25				
GPIO24, UART_RXD					
GND2	27				
SD_DQM0					
SD_D7, EXT_D7					
SD_D6, EXT_D6	30				
SD_D5, EXT_D5					
SD_D4, EXT_D4					
VDDIO2	33				
SD_D3, EXT_D3					
SD_D2, EXT_D2	35				
GNDIO2	36				

## CS497xx4 144-Pin LQFP

# ADV7403: IC111 VIDEO DECODER

## 1.6 Functional Block Diagram

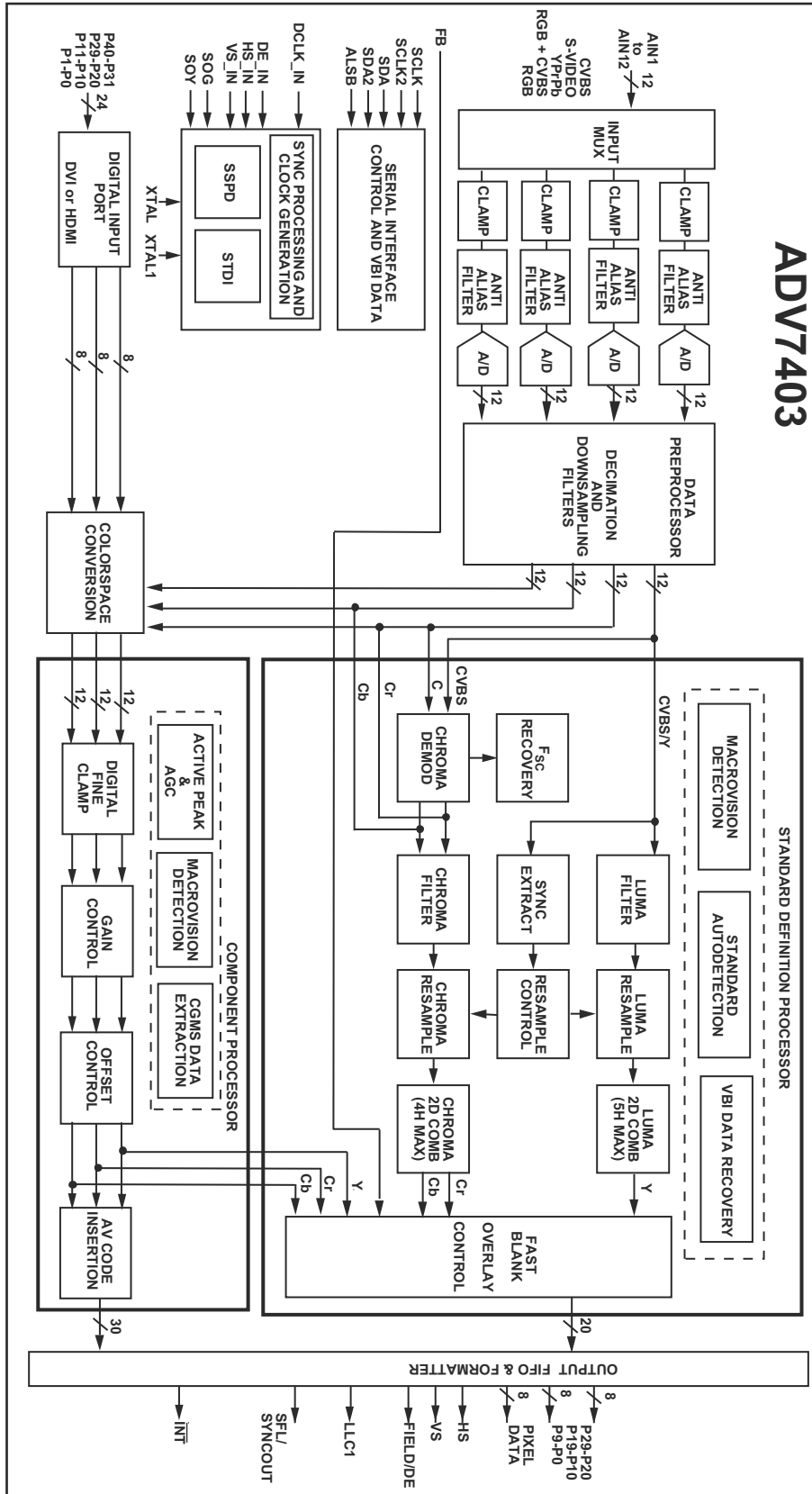


Figure 1: Functional Block Diagram

1.7 Pin Description

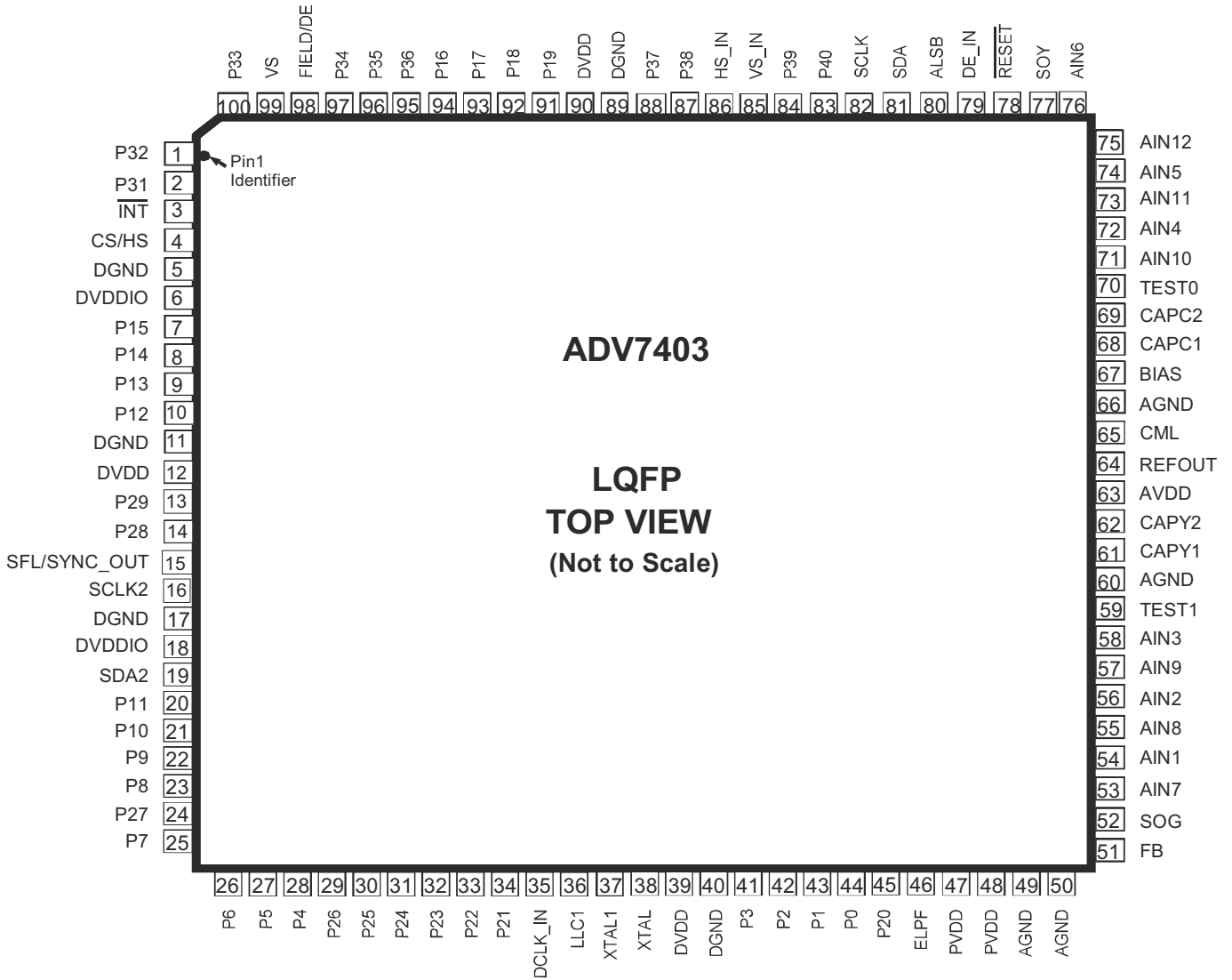


Figure 2: Pin Configuration

Table 1: Pin Function Description

Pin No.	Mnemonic	Type	Function
5, 11, 17, 40, 89	DGND	G	Digital ground
49, 50, 60, 66	AGND	G	Analog ground
6, 18	DVDDIO	P	Digital I/O supply voltage (3.3 V).
12, 39, 90	DVDD	P	Digital core supply voltage (1.8 V).
63	AVDD	P	Analog supply voltage (3.3 V).
47, 48	PVDD	P	PLL supply voltage (1.8 V).
51	FB	I	FB is a fast switch overlay input that switches between CVBS and RGB analog signals.
54, 56, 58,	AIN1–AIN12	I	Analog video input channels.

Pin No.	Mnemonic	Type	Function
72, 74, 76, 53, 55, 57, 71, 73, 75			
42, 41, 28, 27, 26, 25, 23, 22, 10, 9, 8, 7, 94, 93, 92, 91	P2–P9, P12– P19	O	Video pixel output port.
44, 43, 21, 20, 45, 34, 33, 32, 31, 30, 29, 24, 14, 13	P0–P1, P10– P11, P20–P21, P22–P25 P26– P29	I/O	Video pixel input/output port.
2, 1, 100, 97, 96, 95, 88, 87, 84, 83	P31–P40	I	Video pixel input port.
3	INT	O	Interrupt pin, can be active low or active high. When SDP/CP status bits change this pin will trigger. The set of events which will trigger an interrupt are under user control.
4	HS/CS	O	HS is a horizontal synchronization output signal in SDP and CP modes. CS is a digital composite synchronization signal that can be selected while in CP mode.
99	VS	O	VS is a vertical synchronization output signal in SDP and CP modes.
98	FIELD/DE	O	FIELD is a field synchronization output signal in all interlaced video modes. This pin also can be enabled as a DE (Data Enable) signal in CP mode to allow direct connection to a HDMI/DVI Tx IC.
81, 19	SDA1, SDA2	I/O	I <sup>2</sup> C port serial data input/output pin, SDA1 is the data line for the Control port and SDA2 is the data line for the VBI readback port.
82, 16	SCLK1, SCLK2	I	I <sup>2</sup> C port serial clock input (max clock rate of 400 kHz). SCLK1 is the clock line for the Control port and SCLK2 is the clock line for the VBI data readback port.
80	ALSB	I	This pin selects the I <sup>2</sup> C address for the ADV7403 Control and VBI readback ports. ALSB set to a logic 0 sets the address for a write to control port of 0x40 and the readback address for the VBI port of 0x21. ALSB set to a logic high sets the address for a write to control port of 0x42 and the readback address for the VBI port of 0x23.
78	RESET	I	System reset input, active low. A minimum low reset pulse width of 5 ms is required to reset the ADV7403 circuitry.
36	LLC1	O	LLC1 is a line locked output clock for the pixel data (range is 13.5MHz to 110MHz).
38	XTAL	I	Input pin for 28.6363 MHz crystal, or can be overdriven by an external 3.3 V 28.6363 MHz clock oscillator source to clock the ADV7403.
37	XTAL1	O	This pin should be connected to the 28.6363 MHz crystal or left as a no connect if an external 3.3 V 28.6363 MHz clock oscillator source is used to clock the ADV7403. In crystal

Pin No.	Mnemonic	Type	Function
			mode the crystal must be a fundamental crystal.
46	ELPF	O	The recommend external loop filter must be connected to this ELPF pin.
70, 59	TEST0 - TEST1	O	These pins should be unconnected
15	SFL/SYNC_OUT	O	SFL (Subcarrier Frequency Lock); this pin contains a serial output stream which can be used to lock the subcarrier frequency when this decoder is connected to any Analog Devices digital video encoder. SYNC_OUT is the sliced sync output signal only available in CP mode.
64	REFOUT	O	Internal voltage reference output.
65	CML	O	The CML pin is a common-mode level for the internal ADCs.
61, 62	CAPY1–CAPY2	I	ADC capacitor network.
68, 69	CAPC1–CAPC2	I	ADC capacitor network.
67	BIAS	O	BIAS is an external bias setting pin. Connect the recommended resistor between pin and ground.
86	HS_IN/CS_IN	I	Can be configured in CP mode to be either a digital HS input signal or a digital CS input signal used to extract timing in a 5-wire or 4-wire RGB mode.
85	VS_IN	I	VS input signal used in CP mode for 5-wire timing mode.
79	DE_IN	I	DE_IN is a data enable input signal used in 24-bit digital input port mode, for example, 24-bit RGB data from a DVI Rx IC.
35	DCLK_IN	I	DCLK_IN is a clock input signal used in 24-bit digital input mode (e.g. 24-bit RGB data from a DVI Rx IC) and also in digital CVBS input mode.
52	SOG	I	SOG is a sync on green input used in embedded sync mode.
77	SOY	I	SOY is a sync on luma input used in embedded sync mode.

## 1.8 Absolute Maximum Ratings

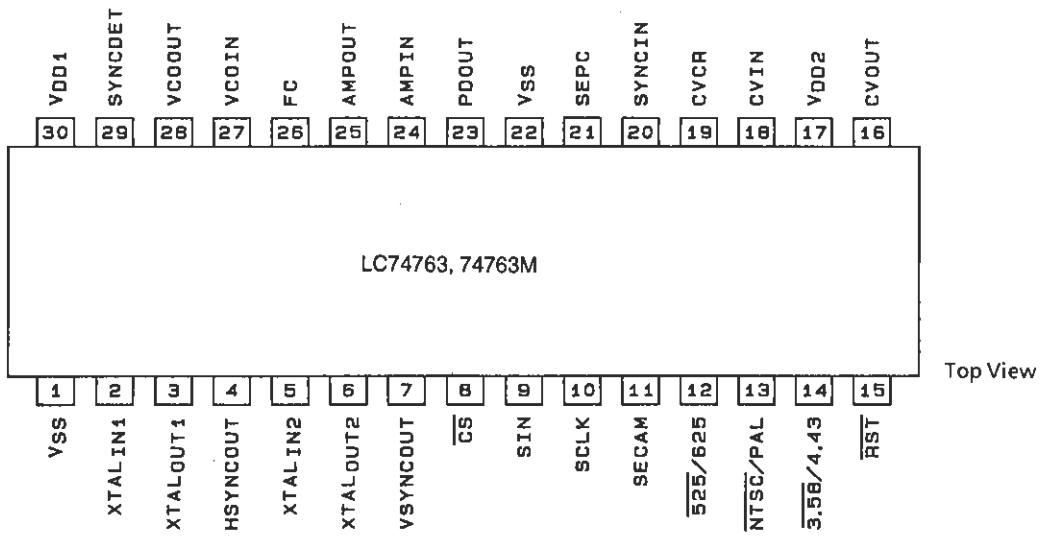
Table 2: Absolute Maximum Ratings

Parameter	Rating
$A_{VDD}$ to AGND	4 V
$D_{VDD}$ to DGND	2.2 V
$P_{VDD}$ to AGND	2.2 V
$D_{VDDIO}$ to DGND	4 V
$D_{VDDIO}$ to $A_{VDD}$	-0.3 V to +0.3V
$P_{VDD}$ to $D_{VDD}$	-0.3 V to +0.3 V
$D_{VDDIO} - P_{VDD}$	-0.3 V to +2 V
$D_{VDDIO} - D_{VDD}$	-0.3 V to +2 V
$A_{VDD} - P_{VDD}$	-0.3 V to +2 V
$A_{VDD} - D_{VDD}$	-0.3 V to +2 V
Digital Inputs Voltage to DGND	DGND - 0.3 V to $D_{VDDIO} + 0.3$ V
Digital Outputs Voltage to DGND	DGND - 0.3 V to $D_{VDDIO} + 0.3$ V
Analog Inputs to AGND	AGND - 0.3 V to $A_{VDD} + 0.3$ V
Maximum Junction Temperature	125°C



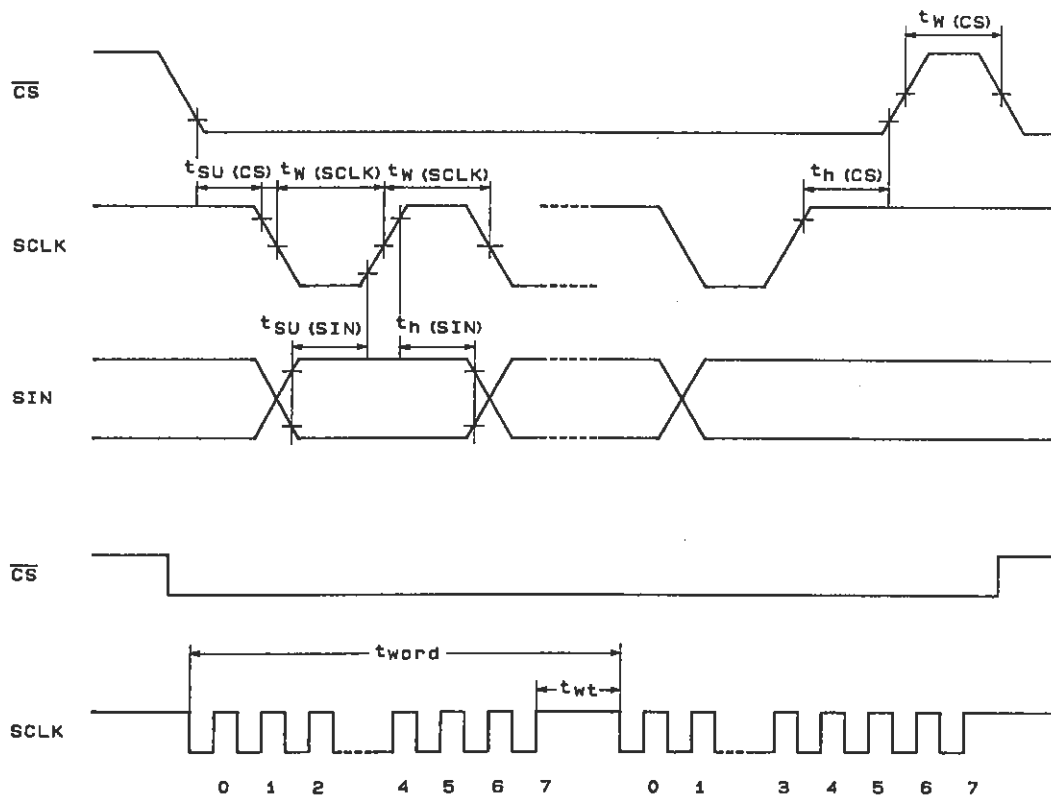
# LC74763: IC108: OSD IC

## Pin Assignment



A03518

## Serial Data Input Timing

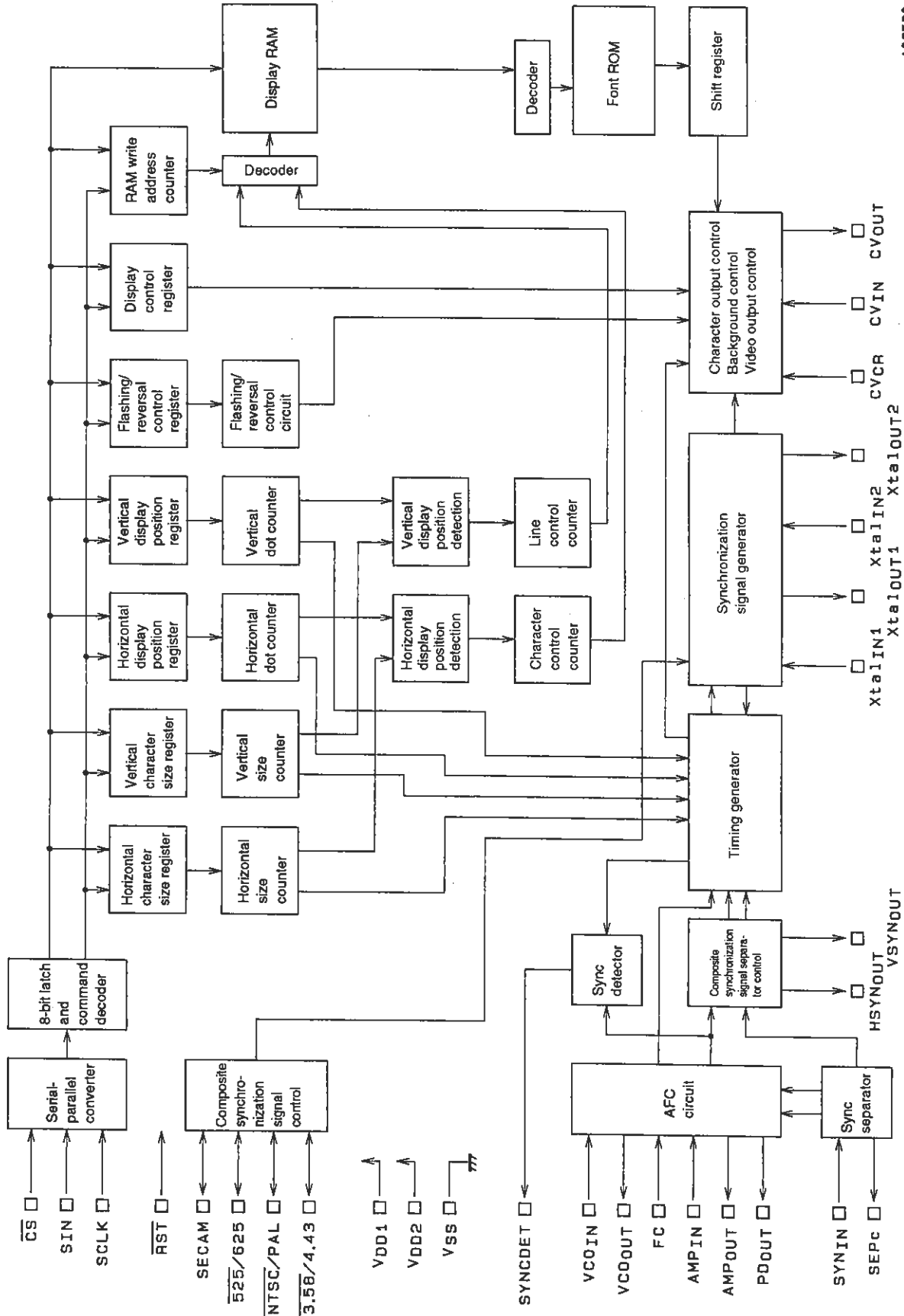


A03519

## Pin Functions

Pin No.	Symbol	Function	Description
1	V <sub>SS</sub>	Ground	Ground connection
2	Xtal <sub>IN1</sub>	Crystal oscillator connection	Connection for the crystal and capacitor used to form the crystal oscillator that generates the internal synchronization signal. The oscillator can be selected with a command switch.
3	Xtal <sub>OUT1</sub>		
4	HSYNC <sub>OUT</sub>	Horizontal synchronization output	Outputs the horizontal synchronization signal (AFC). The output polarity can be selected (metal option). Also functions as general output port (command switch).
5	Xtal <sub>IN2</sub>	Crystal oscillator connection	Connection for the crystal and capacitor used to form the crystal oscillator that generates the internal synchronization signal.
6	Xtal <sub>OUT2</sub>		
7	VSYNC <sub>OUT</sub>	Vertical synchronization output	Outputs the vertical synchronization signal. The output polarity can be selected (metal option). Also functions as general output port (command switch).
8	$\overline{CS}$	Enable input	Enables/disables serial data input. Serial data is enabled when this pin is low (hysteresis input). Pull-up resistor built in (metal option).
9	SIN	Data input	Serial data input (hysteresis input). Pull-up resistor built in (metal option).
10	SCLK	Clock input	Clock input for serial data input (hysteresis input). Pull-up resistor built in (metal option).
11	SECAM	SECAM mode switch input/output (command switch)	During input, switches between SECAM and other modes. During output, functions as general output port or internal V output (command switch). Low = other modes, high = SECAM mode
12	$\overline{525/625}$	525/625 switch input/output (command switch)	During input, switches between 525 scan lines and 625 scan lines. During output, functions as general output port or character data output (command switch). Low = 525 lines, high = 625 lines
13	$\overline{NTSC/PAL}$	NTSC/PAL switch input/output (command switch)	Switches the color mode between NTSC and PAL. During output, functions as general output port or frame data output (command switch). Low = NTSC, high = PAL
14	$\overline{3.58/4.43}$	3.58/4.43 switch input/output (command switch)	Switch FSC between 3.58 MHz and 4.43 MHz. During output, functions as general output port or halftone output (command switch). Low = 3.58, high = 4.43
15	$\overline{RST}$	Reset input	System reset input pin, low is active (hysteresis input). Pull-up resistor built in (metal option).
16	CV <sub>OUT</sub>	Video signal output	Composite video output
17	V <sub>DD2</sub>	Power supply connection	Power supply connection for composite video signal level generation
18	CV <sub>IN</sub>	Video signal input	Composite video input
19	CV <sub>CR</sub>	Video signal input	SECAM chroma signal input
20	SYNC <sub>IN</sub>	Sync separator circuit input	Built-in sync separator circuit video signal input
21	SEP <sub>C</sub>	Sync separator circuit	Built-in sync separator circuit
22	V <sub>SS</sub>	Ground	Ground connection
23	PD <sub>OUT</sub>	Control voltage output	AFC control voltage output
24	AMP <sub>IN</sub>	AFC filter connection	Filter connection
25	AMP <sub>OUT</sub>		
26	FC	Control voltage input	AFC control voltage input
27	VCO <sub>IN</sub>	LC oscillator connection	VCO LC oscillator circuit coil and capacitor connection
28	VCO <sub>OUT</sub>		
29	SYNC <sub>DET</sub>	External synchronization signal detection output	Outputs the exclusive NOR of the horizontal synchronization signal (AFC) and CSYNC (sync separator). The output polarity can be selected (metal option). Also functions as general output port (command switch).
30	V <sub>DD1</sub>	Power supply connection	Power supply connection (+5 V: digital system power supply)

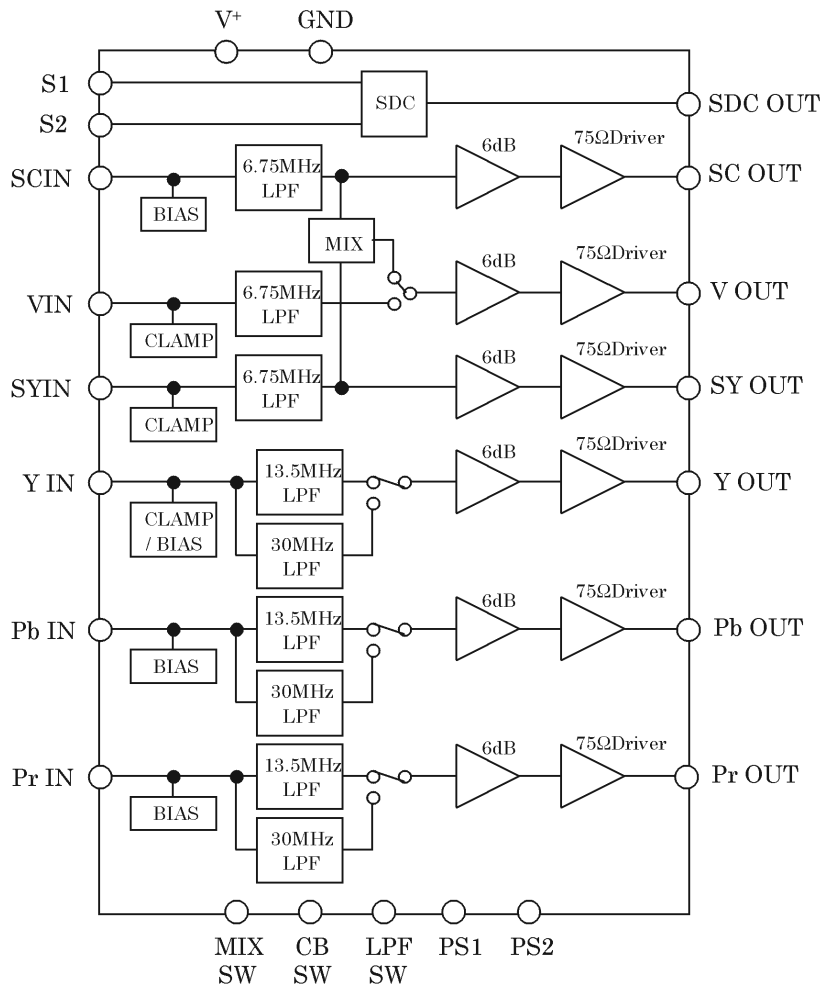
# System Block Diagram



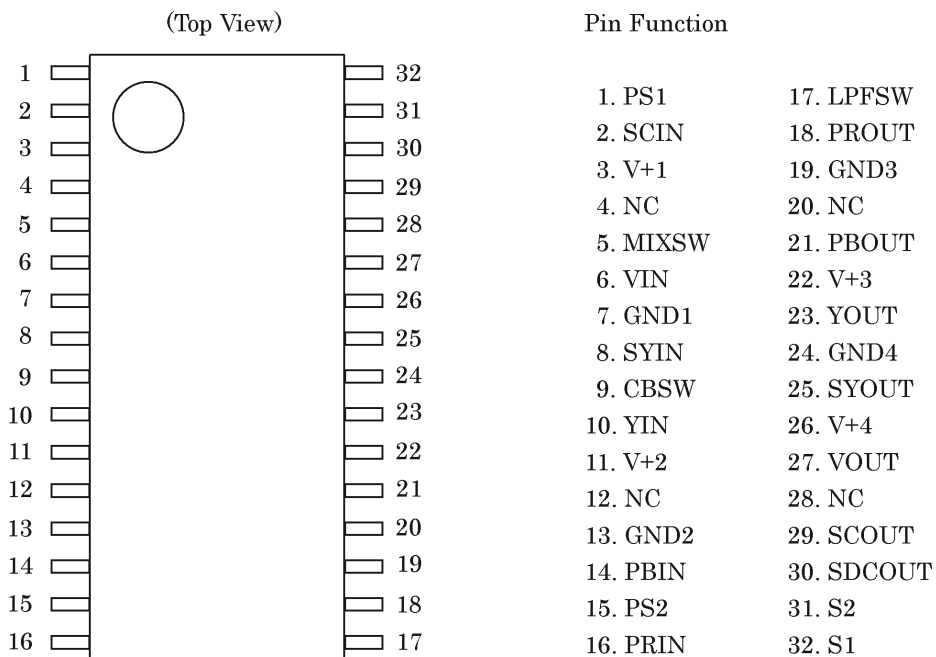
A03520

# IC113: NJM2566V: VIDEO AMP

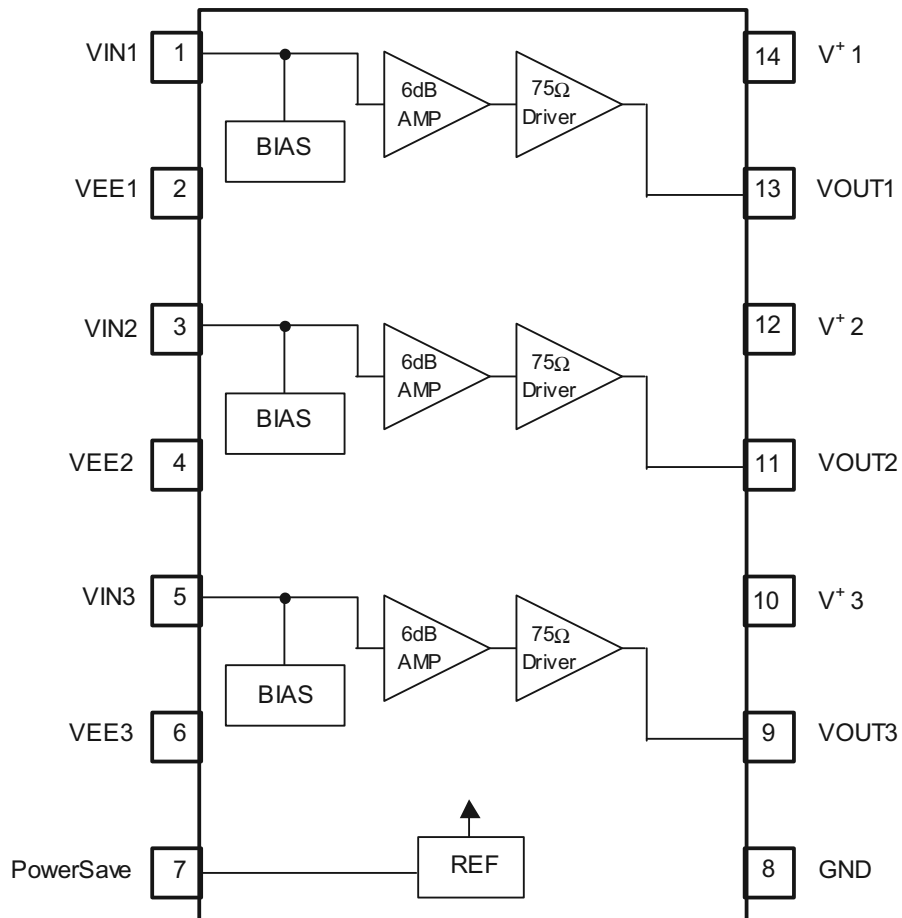
## ■ BLOCK DIAGRAM



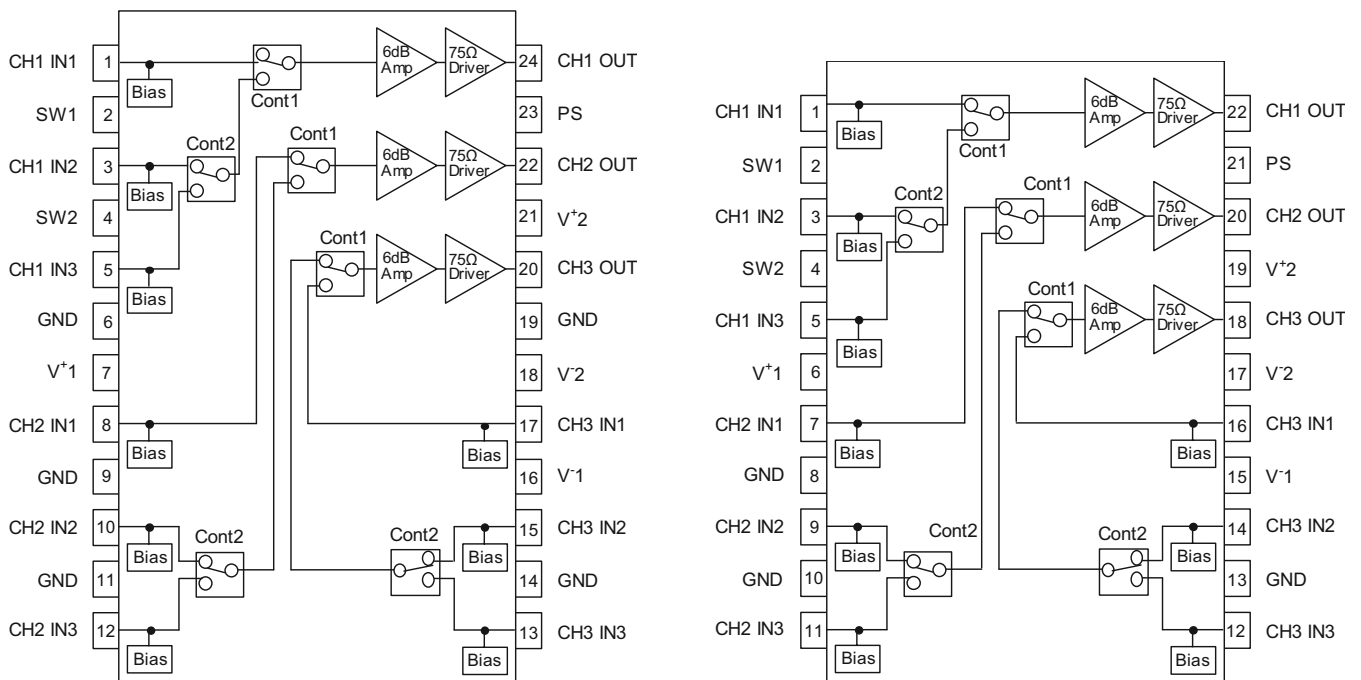
## ■ PIN CONFIGURATION



## BLOCK DIAGRAM (IC133: NJM2581)



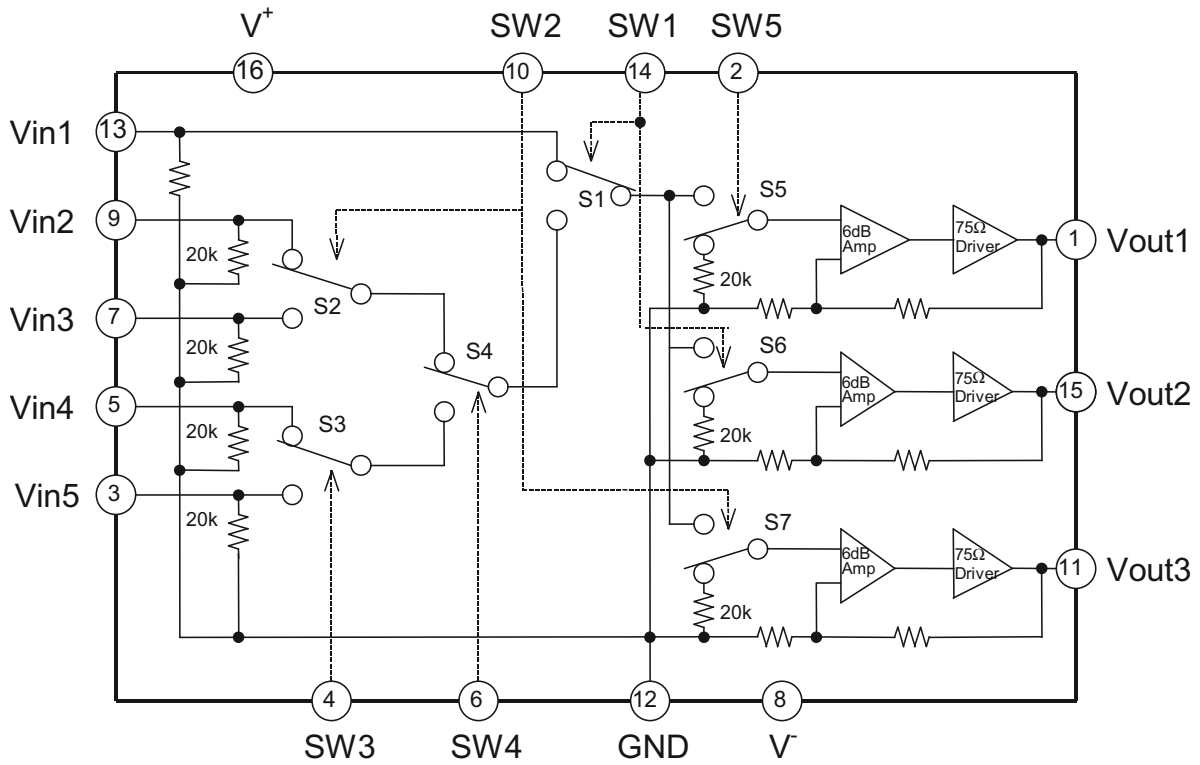
## BLOCK DIAGRAM (IC135: NJM2586A)



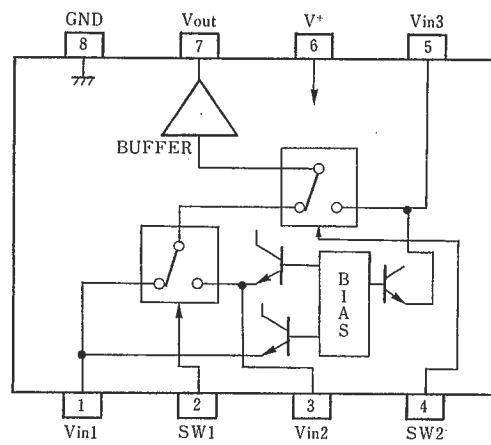
DMP24

SDIP22

# BLOCK DIAGRAM (IC101, IC102, IC103: NJM2595: VIDEO SW)

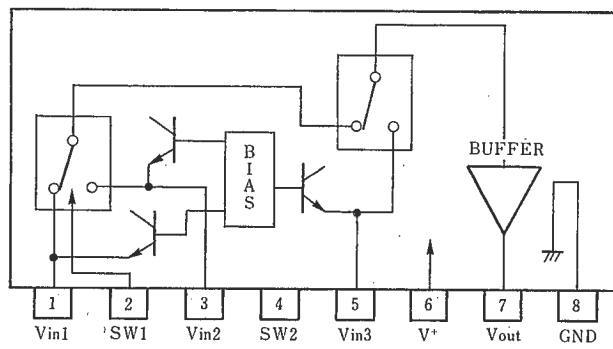


# BLOCK DIAGRAM (IC107: NJM2535)



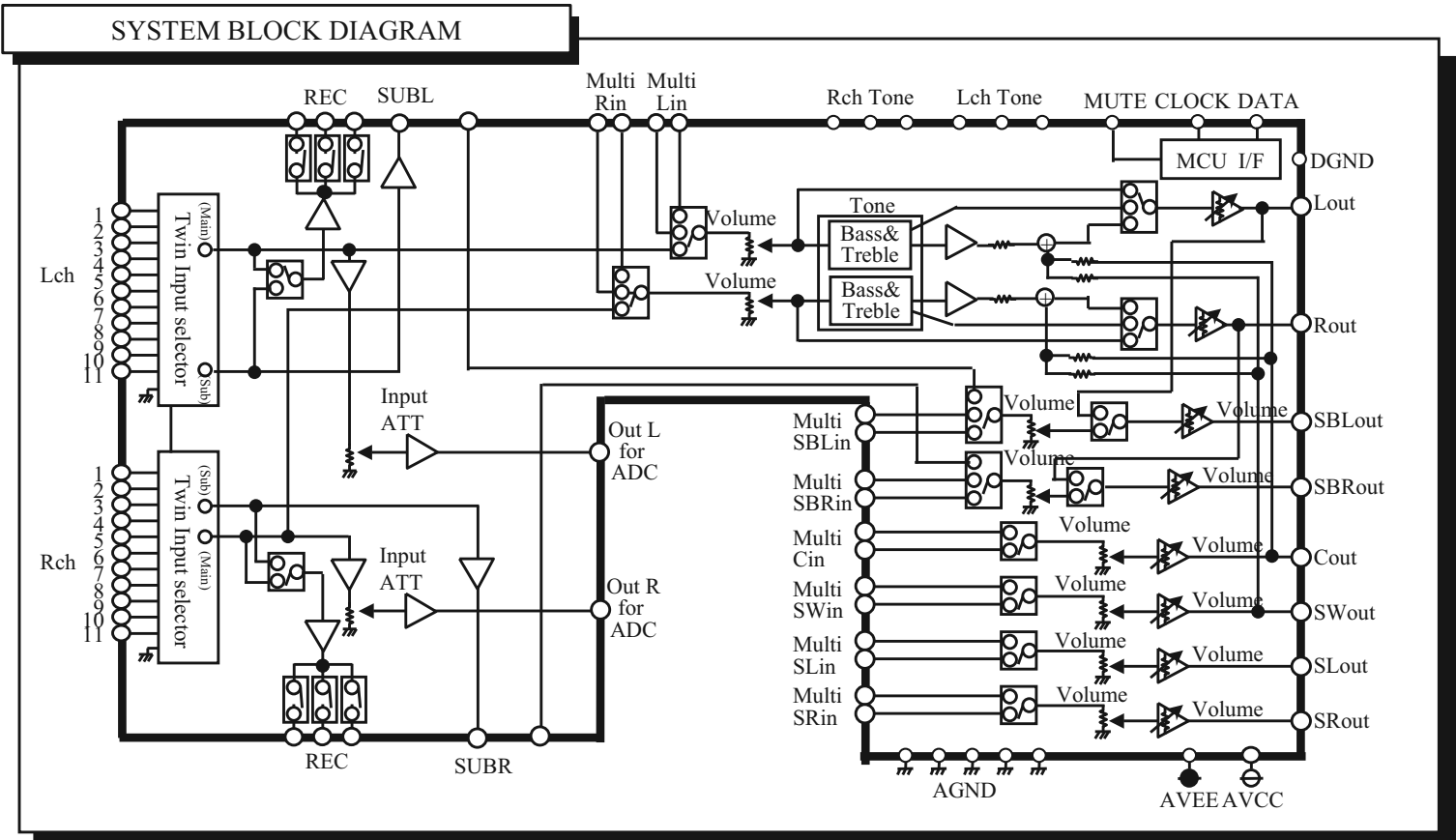
- PIN FUNCTION
- 1 : Vin1
  - 2 : SW1
  - 3 : Vin2
  - 4 : SW2
  - 5 : Vin3
  - 6 : V+
  - 7 : V<sub>out</sub>
  - 8 : GND

NJM2535D  
 NJM2535M  
 NJM2535V



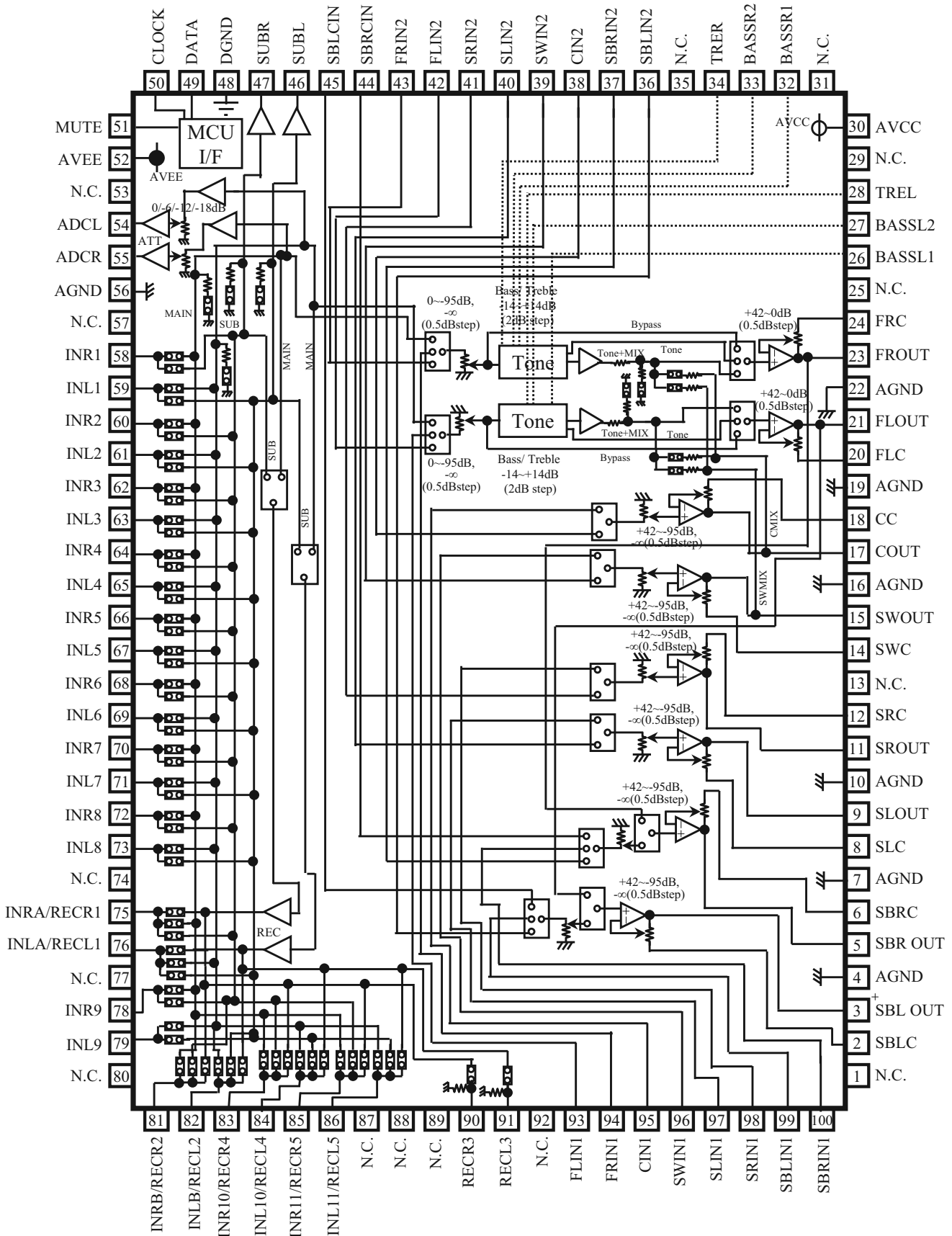
- PIN FUNCTION
- 1 : Vin1
  - 2 : SW1
  - 3 : Vin2
  - 4 : SW2
  - 5 : Vin3
  - 6 : V+
  - 7 : V<sub>out</sub>
  - 8 : GND

# IC301: R2A15218FP: 8CH ELECTRONIC VOLUME





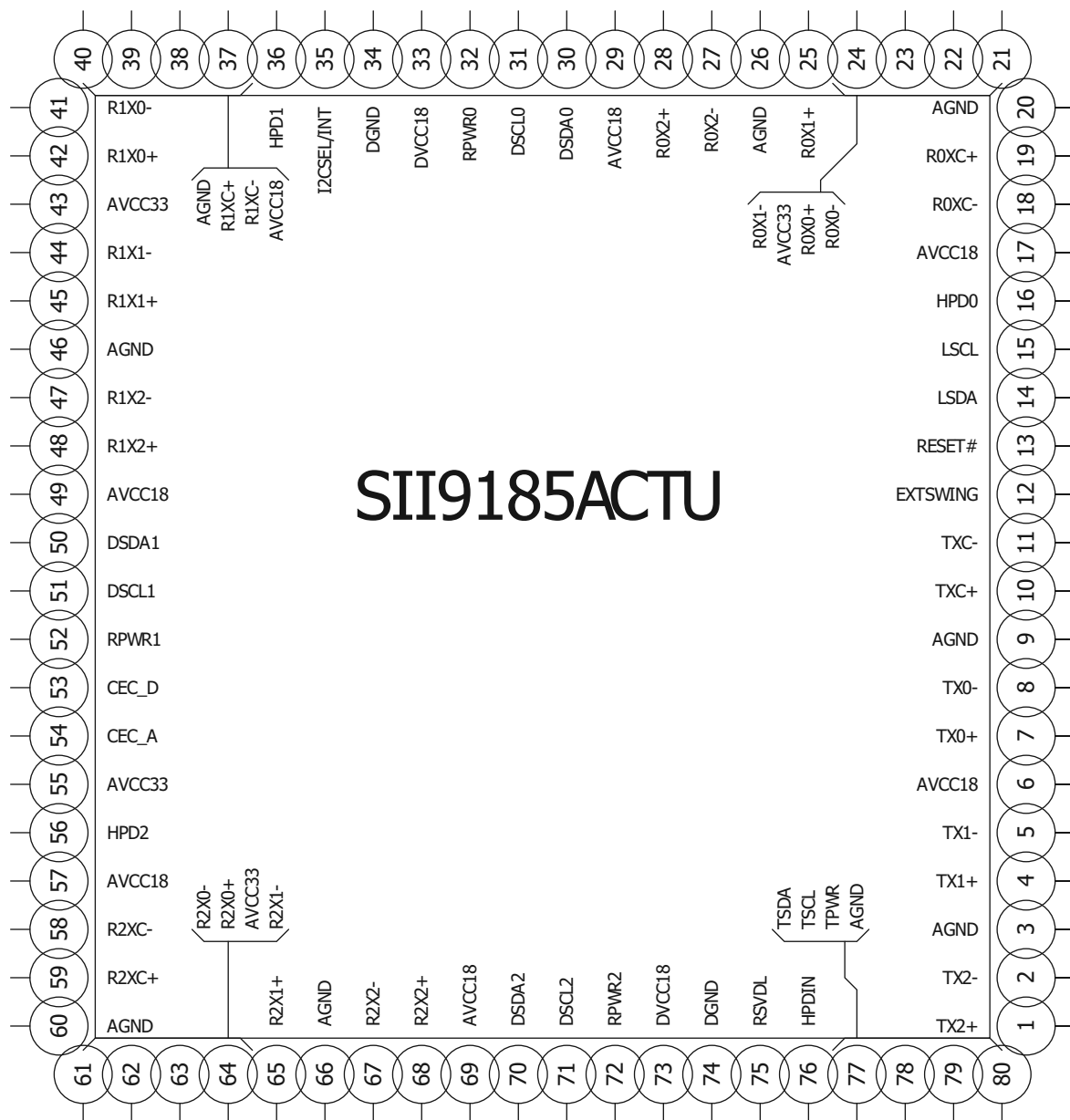
# BLOCK DIAGRAM AND PIN CONFIGURATION (TOP VIEW)



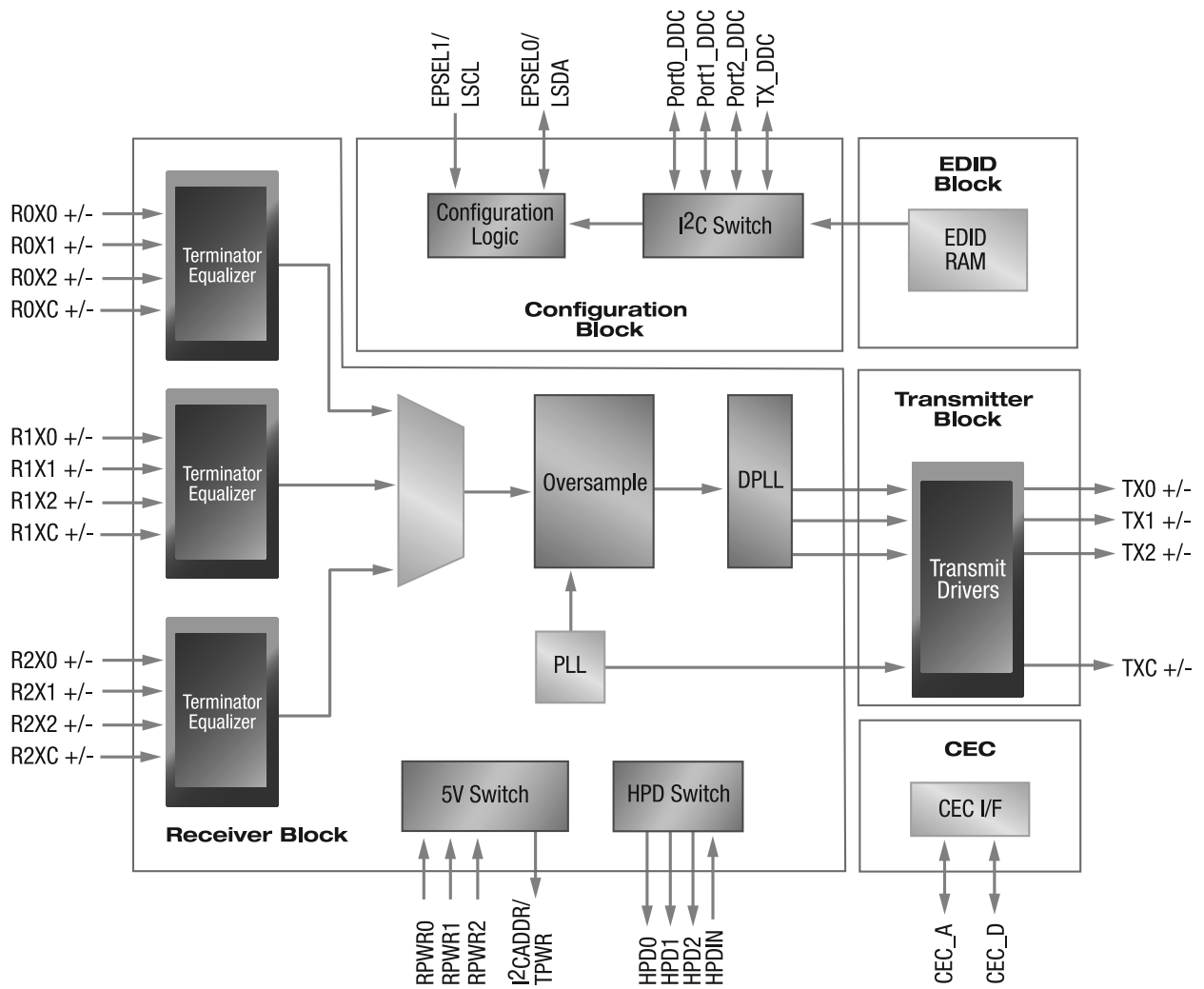
PIN DESCRIPTION

PIN No.	Name	Function
23,21, 17,15, 11,9, 5,3	FROUT,FLOUT, COUT,SWOUT, SROUT, SLOUT, SBROUT,SBLOUT	Output pin of FL/FR/C/SW/SL/SR/SBL/SBR channel
24,20, 18,14, 12,8, 6,2	FRC,FLC, CC,SWC, SRC,SLC, SBRC,SBLC	Connects capacitor for reducing click noise of L/R/C/SW/SL/SR/SBL/SBR channel volume
4,7,10,16, 19,22,56	AGND	Analog ground of internal circuit
28,34	TREL, TRER	Frequency characteristic setting pin of L/R channel tone control (Treble)
26,27, 32,33	BASSL1,BASSL2 BASSR1,BASSR2	Frequency characteristic setting pin of L/R channel tone control (Bass)
30	AVCC	Positive power supply to internal circuit
43,42, 41,40, 39,38, 37,36	FRIN2, FLIN2, SRN2,SLIN2, SWIN2,CIN2, SBRIN2,SBLIN2	Input pin of L/R/C/SW/SL/SR/SBL/SBR channel (Multi IN 1/2)
93,94, 95,96, 97,98, 99,100	FLIN1, FRIN1, CIN1,SWIN1, SLIN1,SRIN1, SBLIN1,SBRIN1	
48	DGND	Digital ground of internal circuit
49	DATA	Input pin of control data
50	CLOCK	Input pin of control clock
52	AVEE	Negative power supply to internal circuit
59,61,63, 65,67,69, 71,73,79	INL1,INL2, INL3, INL4,INL5,INL6, INL7,INL8,INL9	Input pin of L/R channel (Input Selector)
58,60,62, 64,66,68, 70,72,78	INR1,INR2, INR3, INR4,INR5,INR6, INR7,INR8,INR9	
51	MUTE	Outside Mute Control PIN
44,45	SBRCIN,SBLCIN	Input pin for SBL/SBR channel Volume
46,47	SUBL,SUBR	Output pin for L/R channel SUB Output
54,55	ADCL, ADCR	Output pin for L/R channel ADC
90,91	RECR3,RECL3	Output pin for L/R channel REC Output
75,76, 81,82, 83,84, 85,86	INRA/RECR1,INLA/RECL1, INRB/RECR2,INLB/RECL2, INR10/RECR4,INL10/RECL4, INR11/RECR5,INL11/RECL5	Input pin of L/R channel (Input Selector)/ Output pin for L/R channel REC Output
1,13,25,29,31, 35,53, 57,74,77,80, 87,88,89,92	N.C.	No Connected PIN

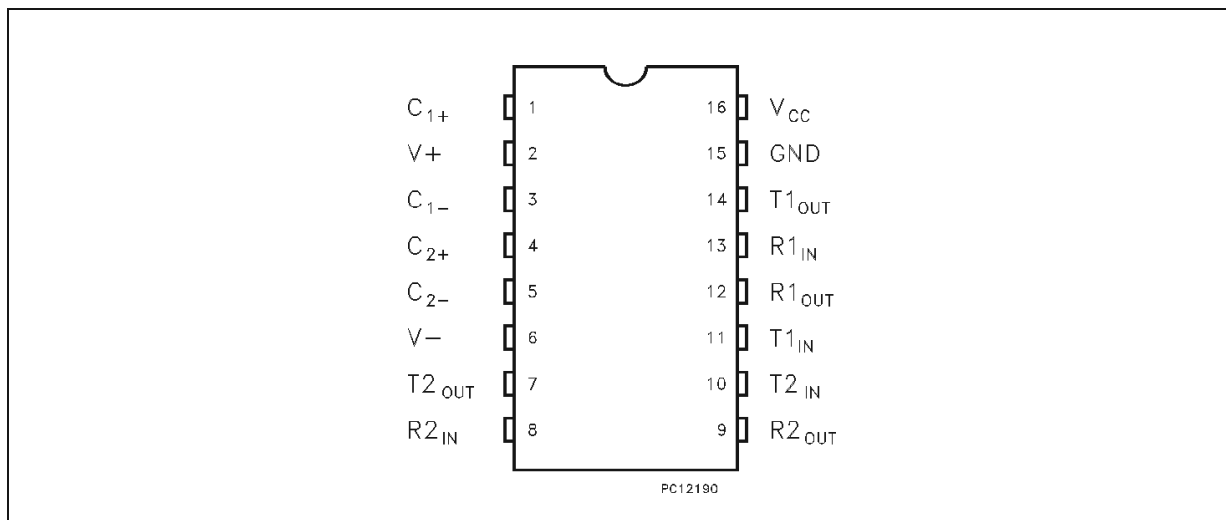
# IC141: SII9185ACTU: HDMI SWITCH



# BLOCK DIAGRAM



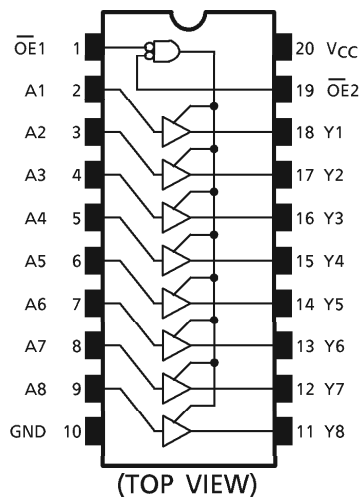
## IC157: ST232CDR: RS-232 DRIVERS & RECEIVERS



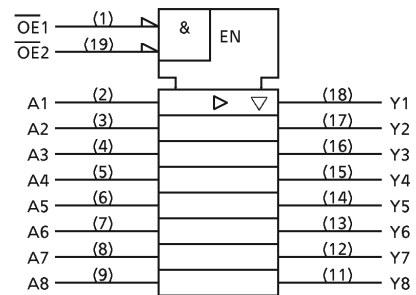
PIN N°	SYMBOL	NOTE
1	$C_{1+}$	Positive terminal for the first charge pump capacitor
2	$V+$	Doubled voltage terminal
3	$C_{1-}$	Negative terminal for the first charge pump capacitor
4	$C_{2+}$	Positive terminal for the second charge pump capacitor
5	$C_{2-}$	Negative terminal for the second charge pump capacitor
6	$V-$	Inverted voltage terminal
7	$T2_{OUT}$	Second transmitter output voltage
8	$R2_{IN}$	Second receiver input voltage
9	$R2_{OUT}$	Second receiver output voltage
10	$T2_{IN}$	Second transmitter input voltage
11	$T1_{IN}$	First transmitter input voltage
12	$R1_{OUT}$	First receiver output voltage
13	$R1_{IN}$	First receiver input voltage
14	$T1_{OUT}$	First transmitter output voltage
15	GND	Ground
16	$V_{CC}$	Supply voltage

# IC147: TC74VCX541FT: OCTAL BUS BUFFER

## PIN ASSIGNMENT



## IEC LOGIC SYMBOL



## TRUTH TABLE

INPUTS			OUTPUTS
$\overline{OE1}$	$\overline{OE2}$	$A_n$	
H	X	X	Z
X	H	X	Z
L	L	H	H
L	L	L	L

X : Don't Care  
Z : High Impedance

## MAXIMUM RATINGS

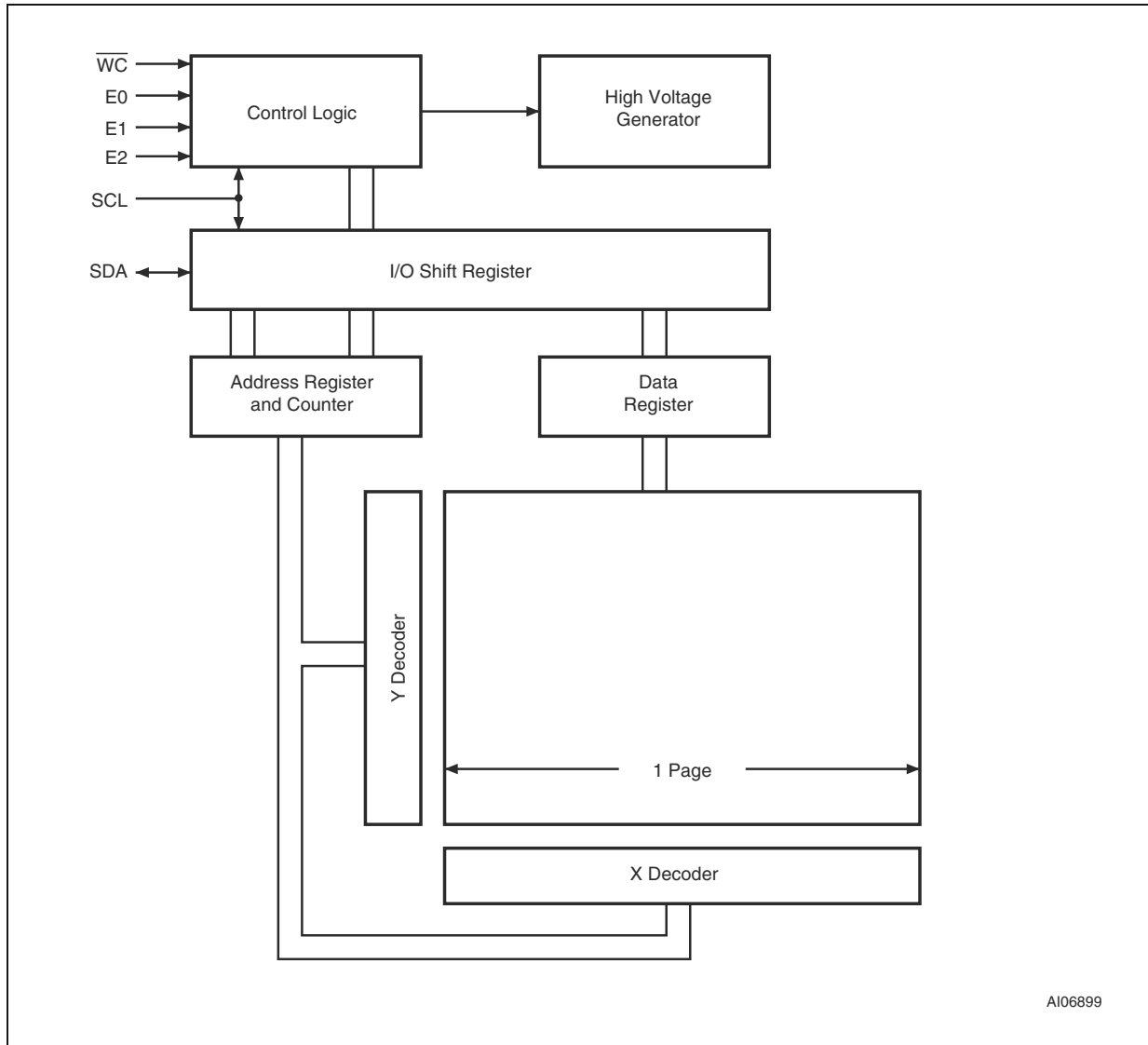
PARAMETER	SYMBOL	RATING	UNIT
Power Supply Voltage	$V_{CC}$	-0.5~4.6	V
DC Input Voltage	$V_{IN}$	-0.5~4.6	V
DC Output Voltage	$V_{OUT}$	-0.5~4.6 (Note 1)	V
		-0.5~ $V_{CC} + 0.5$ (Note 2)	
Input Diode Current	$I_{IK}$	-50	mA
Output Diode Current	$I_{OK}$	$\pm 50$ (Note 3)	mA
DC Output Current	$I_{OUT}$	$\pm 50$	mA
Power Dissipation	$P_D$	180	mW
DC $V_{CC}$ / Ground Current	$I_{CC} / I_{GND}$	$\pm 100$	mA
Storage Temperature	$T_{stg}$	-65~150	$^{\circ}C$

(Note 1): Off-State

(Note 2): High or Low State.  $I_{OUT}$  absolute maximum rating must be observed.

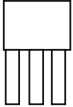
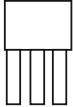
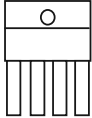
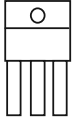
(Note 3):  $V_{OUT} < GND$ ,  $V_{OUT} > V_{CC}$

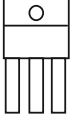
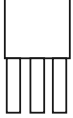
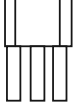
# IC156: M24C32WMN6TP: EEPROM



AI06899

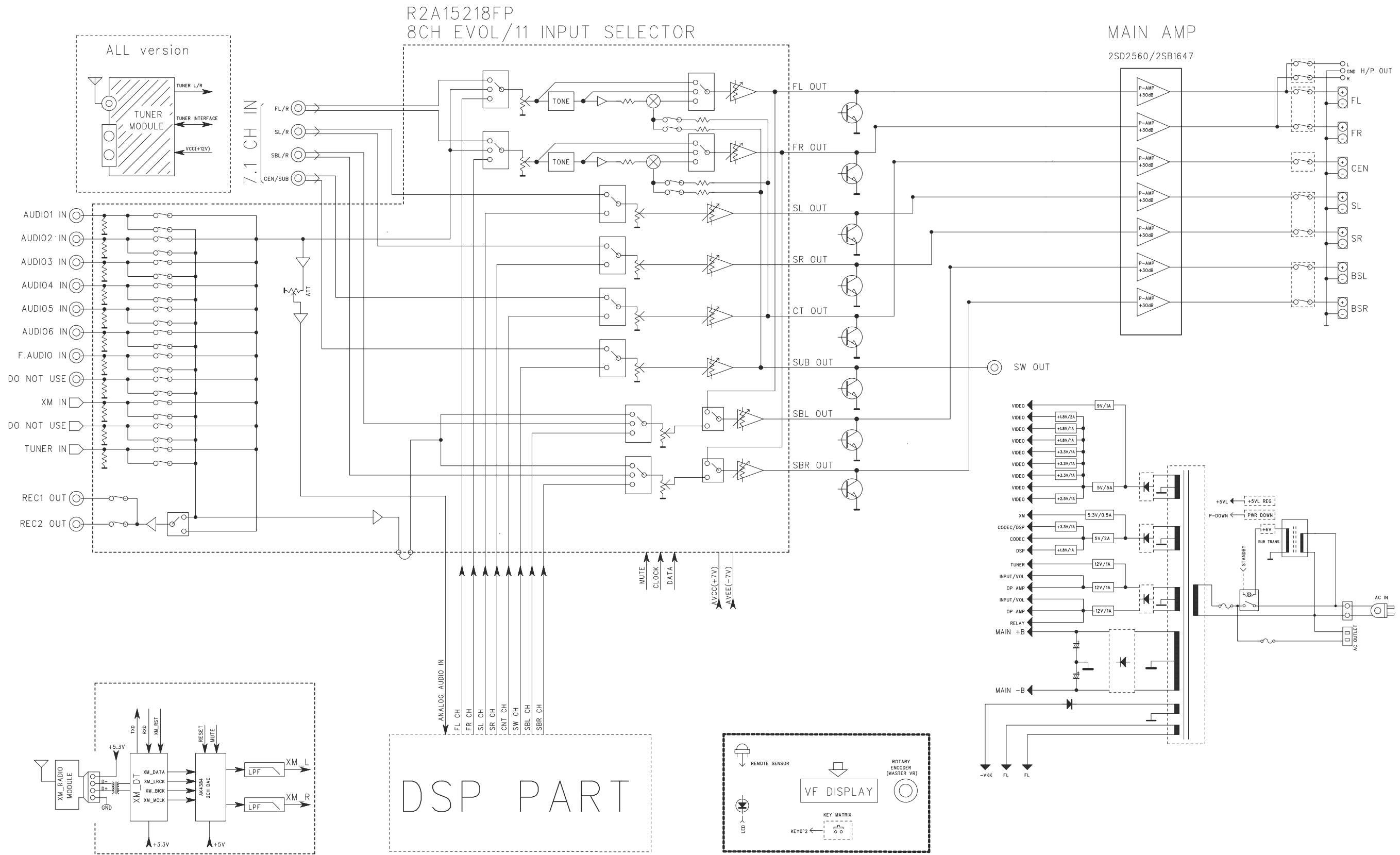
# TRANSISTOR, REGULATOR IC BLOCK DIAGRAM

<p>TO-92S</p>  <p>1 2 3</p> <p>KSC2785Y KSA1175Y KRC111M</p> <p>1. Emitter 2. Collector 3. Base</p> <p>KRC107M KTC2875Y KSB811Y</p>	<p>TO-92</p>  <p>1 2 3</p> <p>KTC3200GR KTA1268GR KTC3203Y</p> <p>1. Emitter 2. Collector 3. Base</p> <p>KTA1271Y KTC3199Y</p>	<p>TO-220</p>  <p>1 2 3</p> <p>KIA378R00 KIA278R12</p> <p>1.INPUT 2.OUTPUT 3.GND 4.CONTROL</p> <p>KIA578R05</p>	<p>TO-220</p>  <p>1 2 3</p> <p>KIA78DL05 KIA278R05 KIA7809</p> <p>1.Base 2.Collector 3.Emitter</p> <p>KIA7905 KIA7909</p>
--	---	--	--

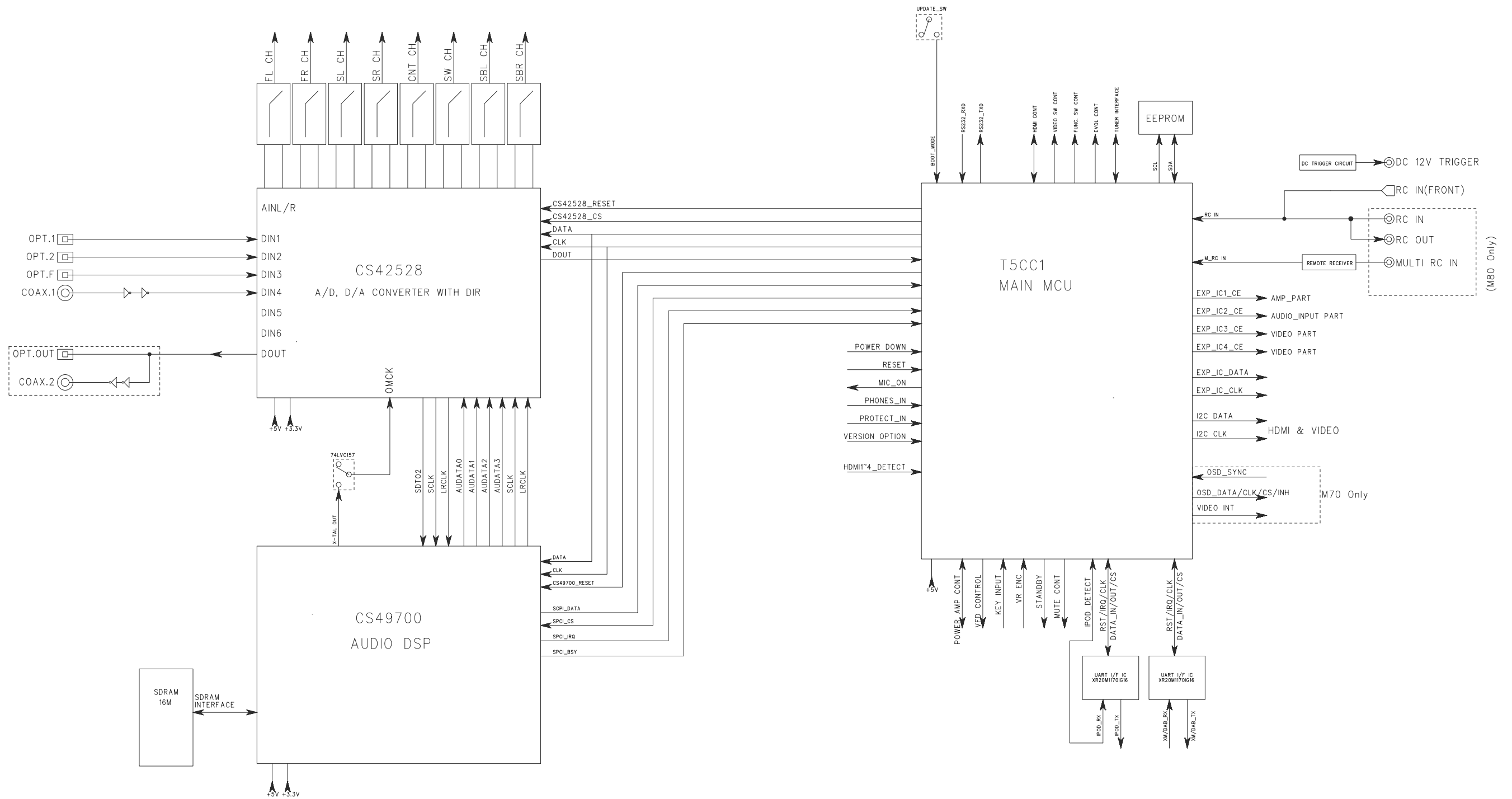
<p>SOT-23</p>  <p>1 2 3</p> <p>KRA102S KRC102S KTD1304</p> <p>1.Base 2.Collector 3.Emitter</p> <p>KRC107S KRC103S KRC111S</p>	<p>TO-3P</p>  <p>1 2 3</p> <p>2SB1647 2SD2560</p> <p>1.Base 2.Collector 3.Emitter</p>	<p>TO-92L</p>  <p>1 2 3</p> <p>KSC2316Y KTD1028B</p> <p>1. Emitter 2. Collector 3. Base</p>
--	--	--



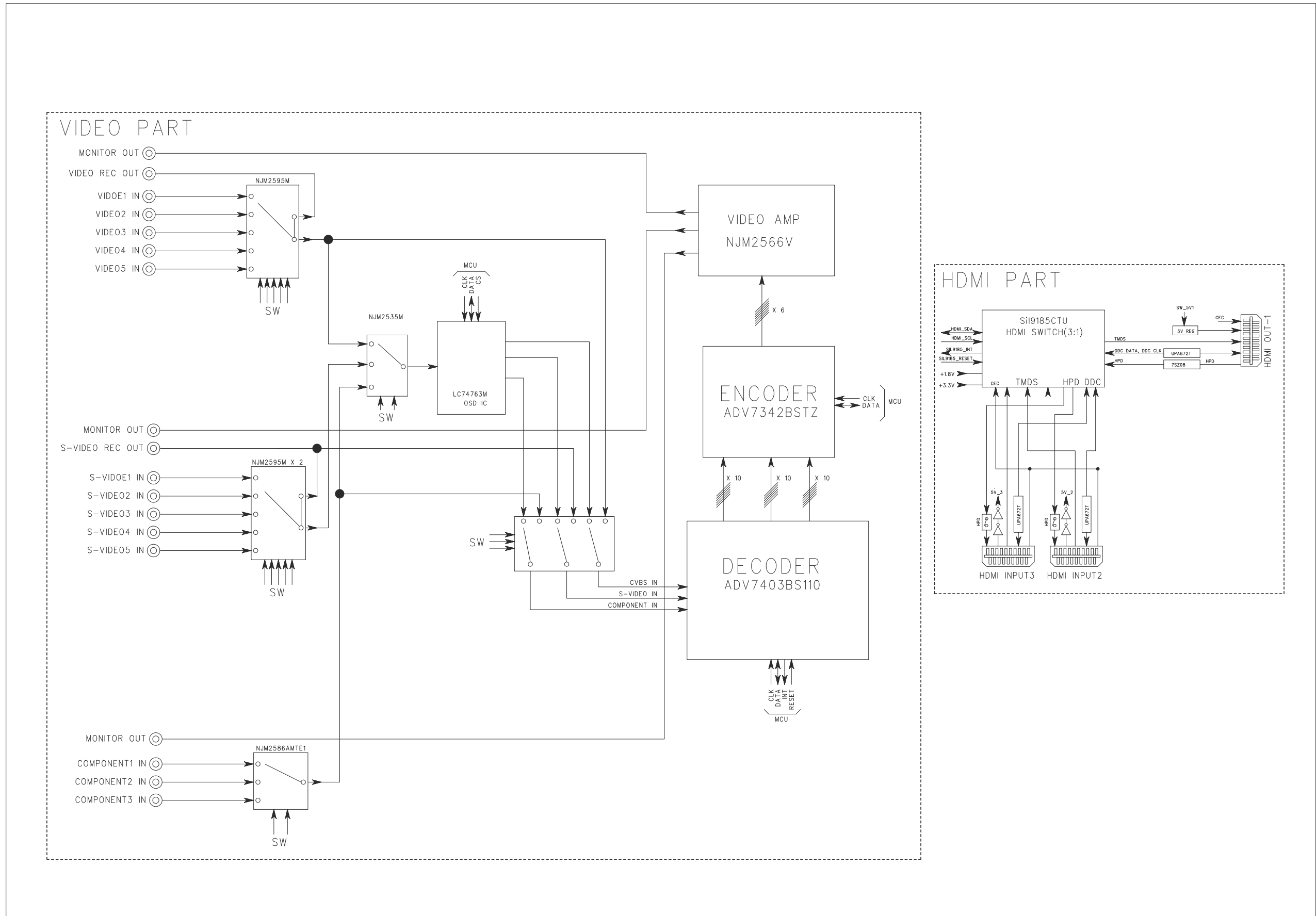
# BLOCK DIAGRAM (AUDIO PART)



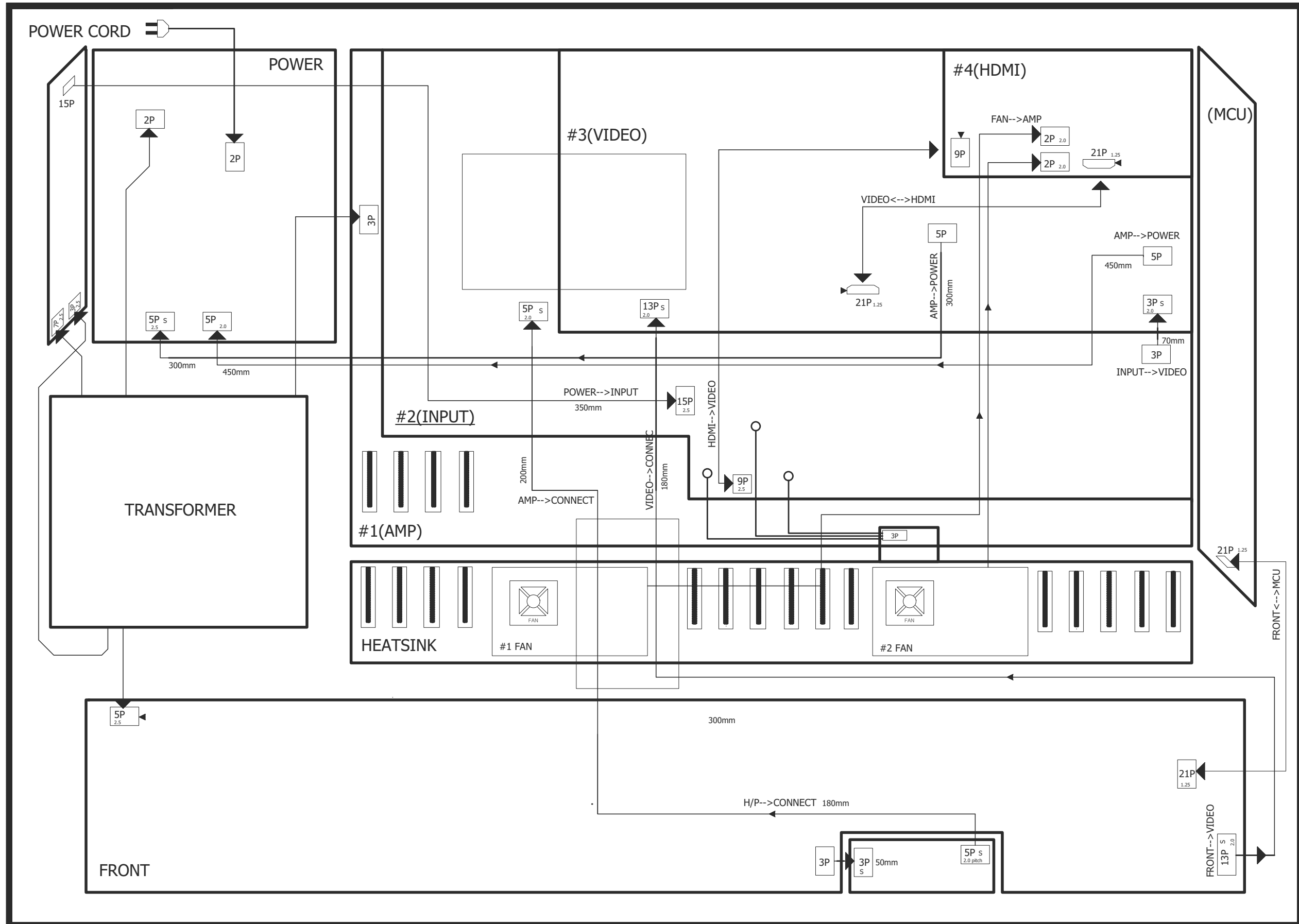
# BLOCK DIAGRAM (MCU & DSP PART)



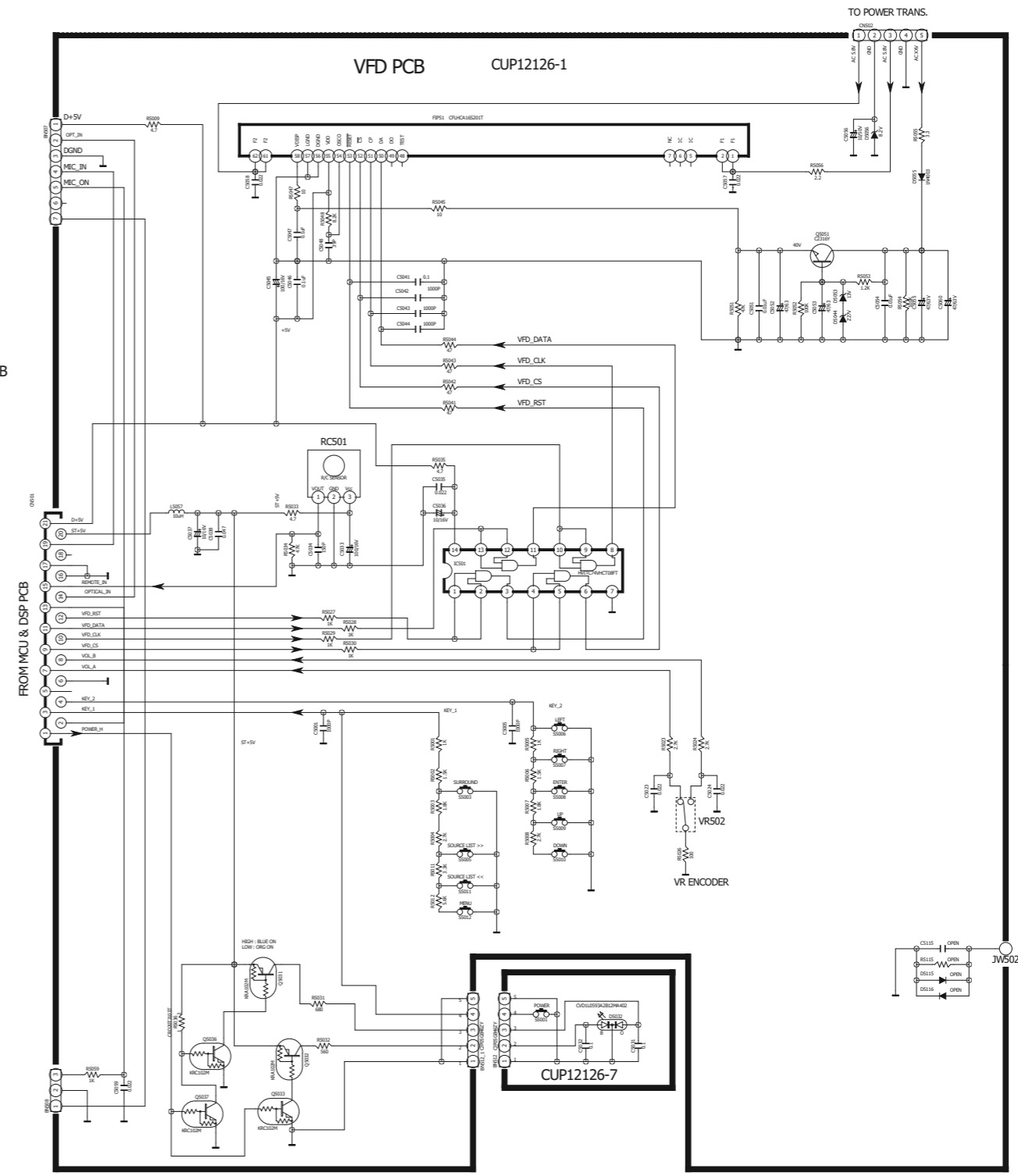
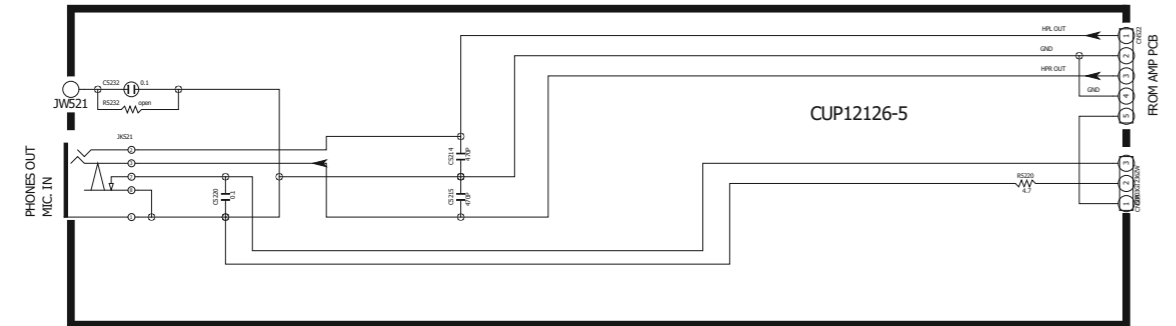
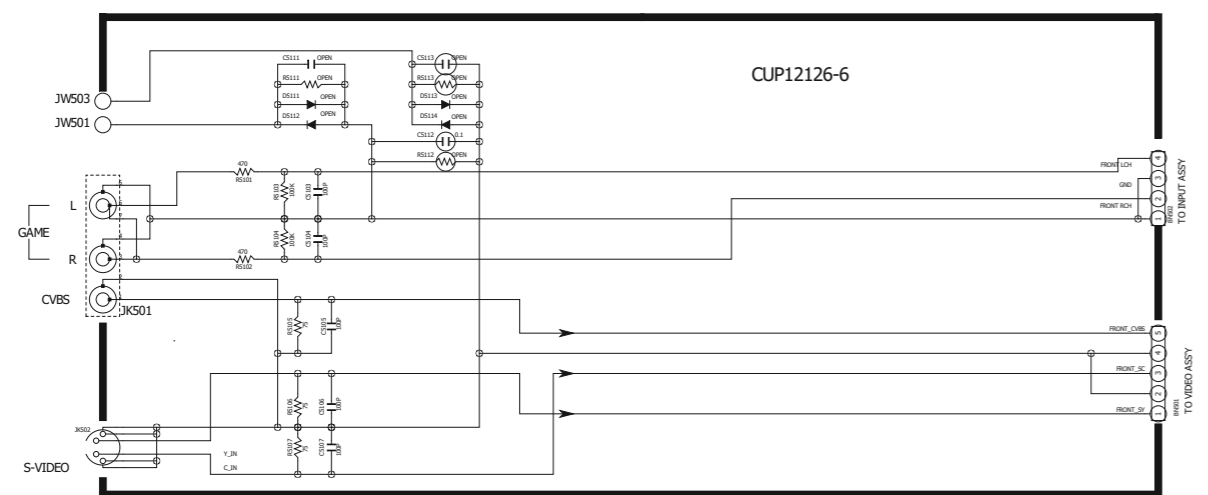
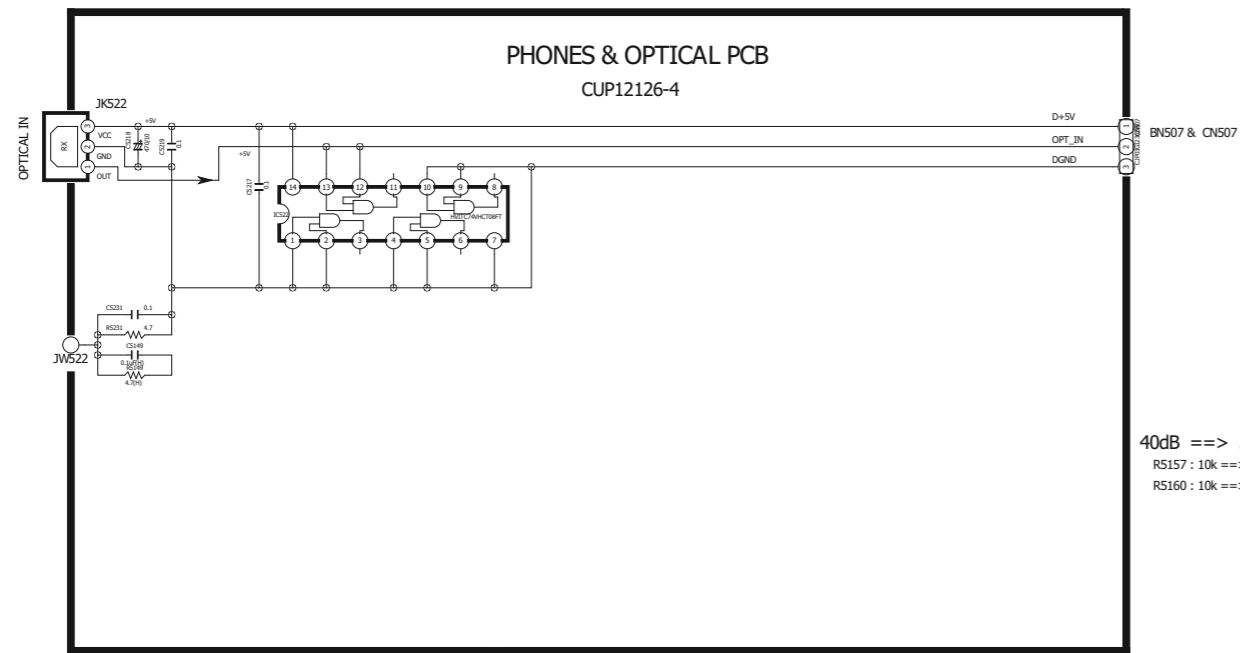
# BLOCK DIAGRAM (VIDEO PART)



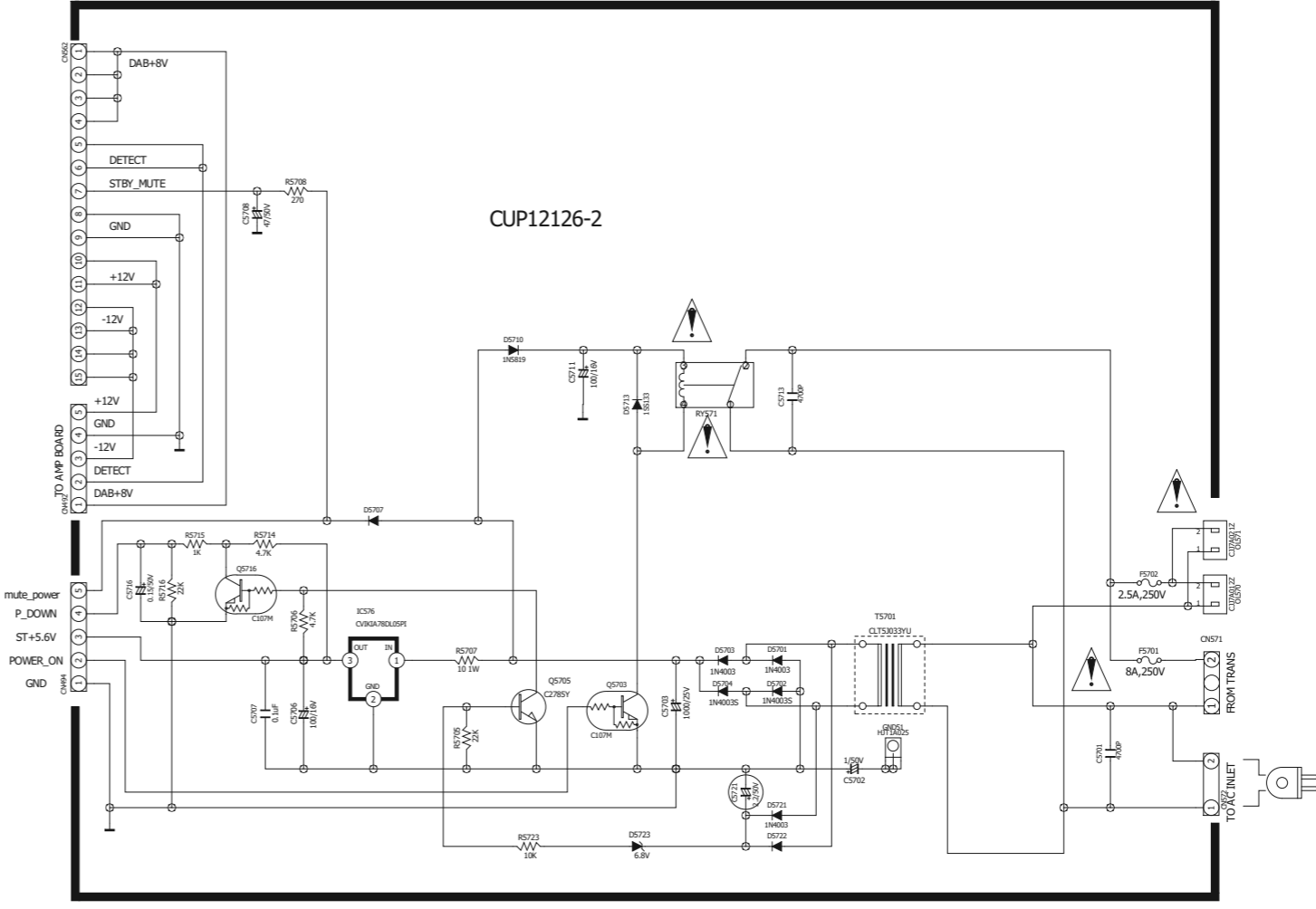
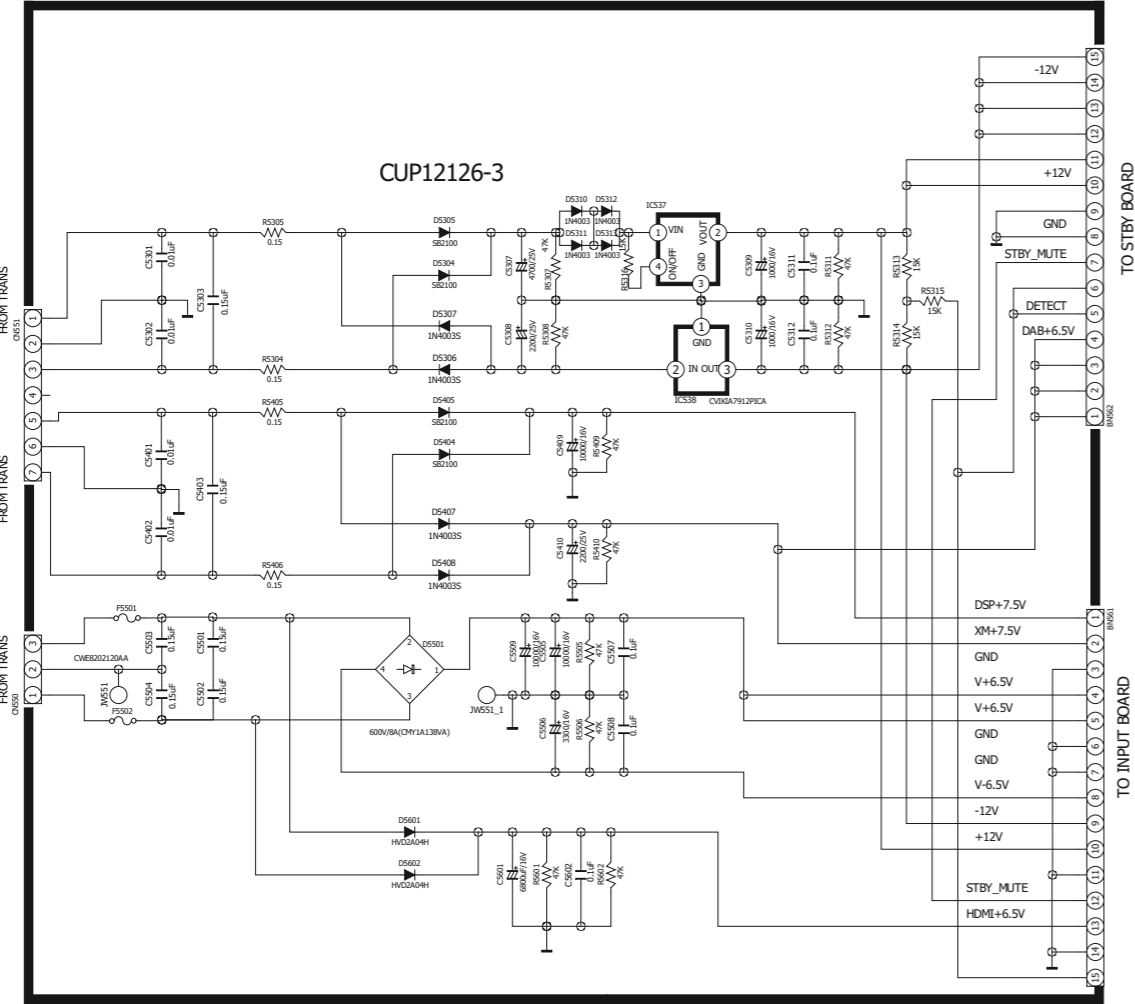
# WIRING DIAGRAM



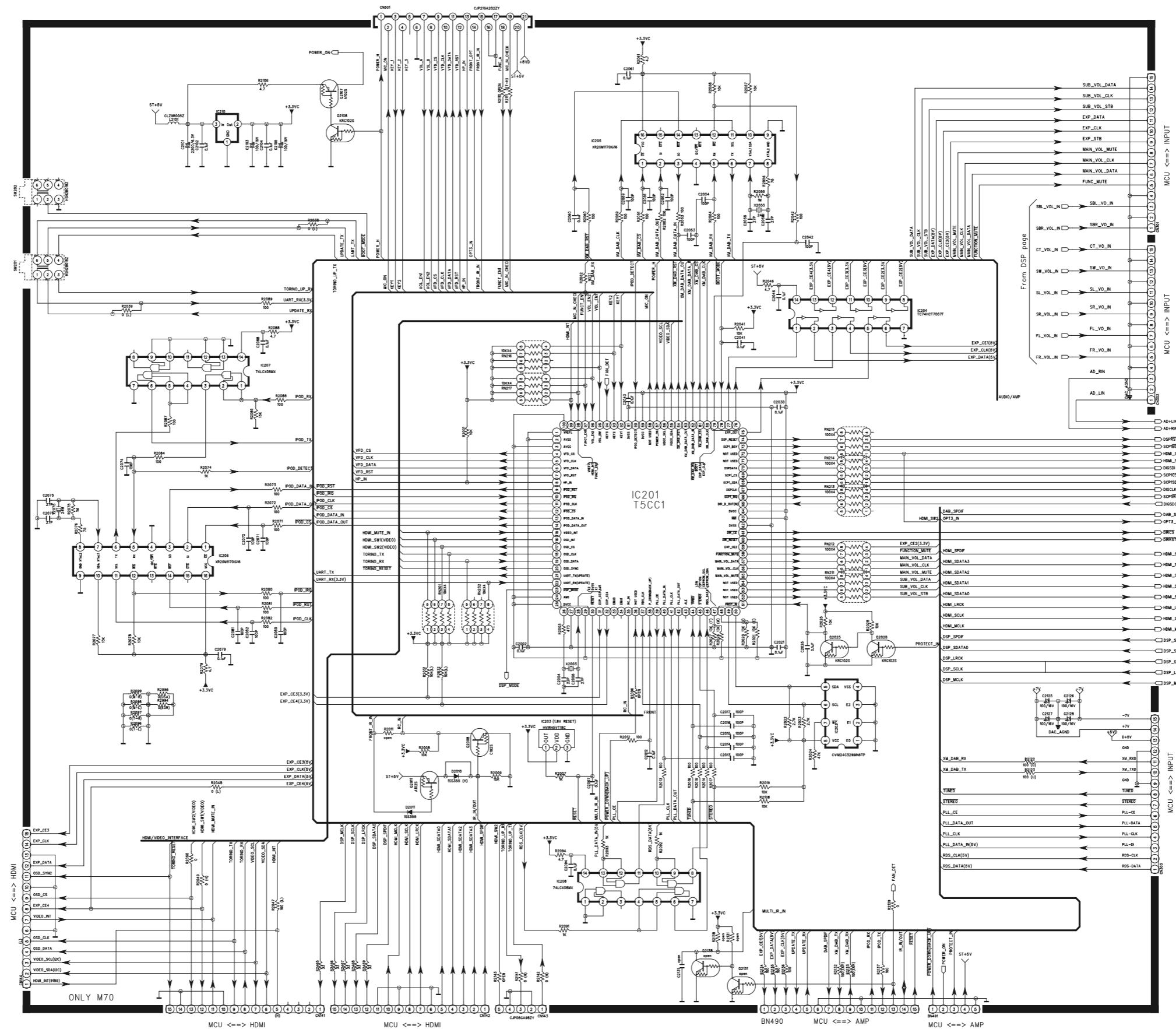
# SCHEMATIC DIAGRAM (FRONT PART)



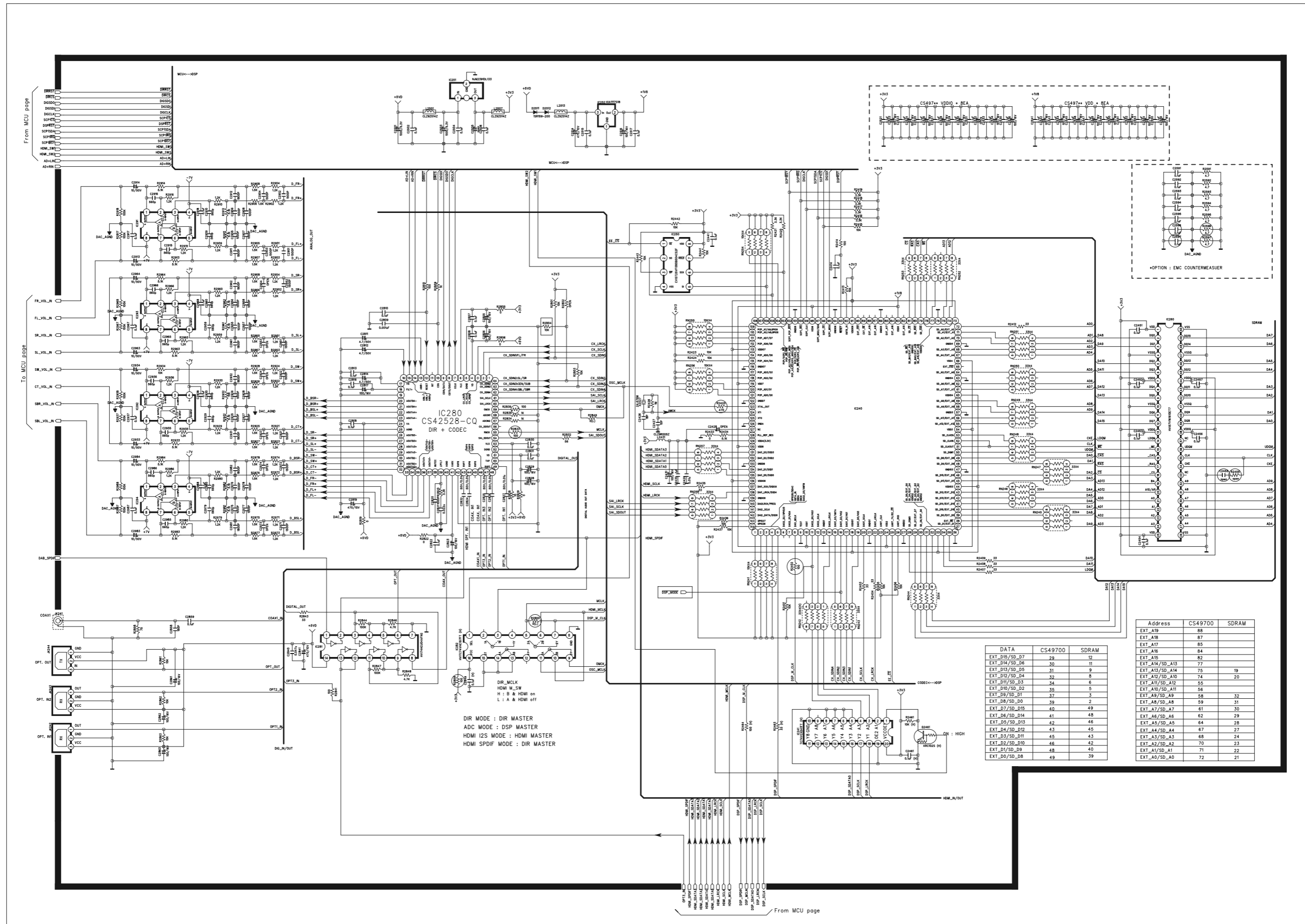
# SCHEMATIC DIAGRAM (POWER PART)



# SCHEMATIC DIAGRAM (MCU PART)

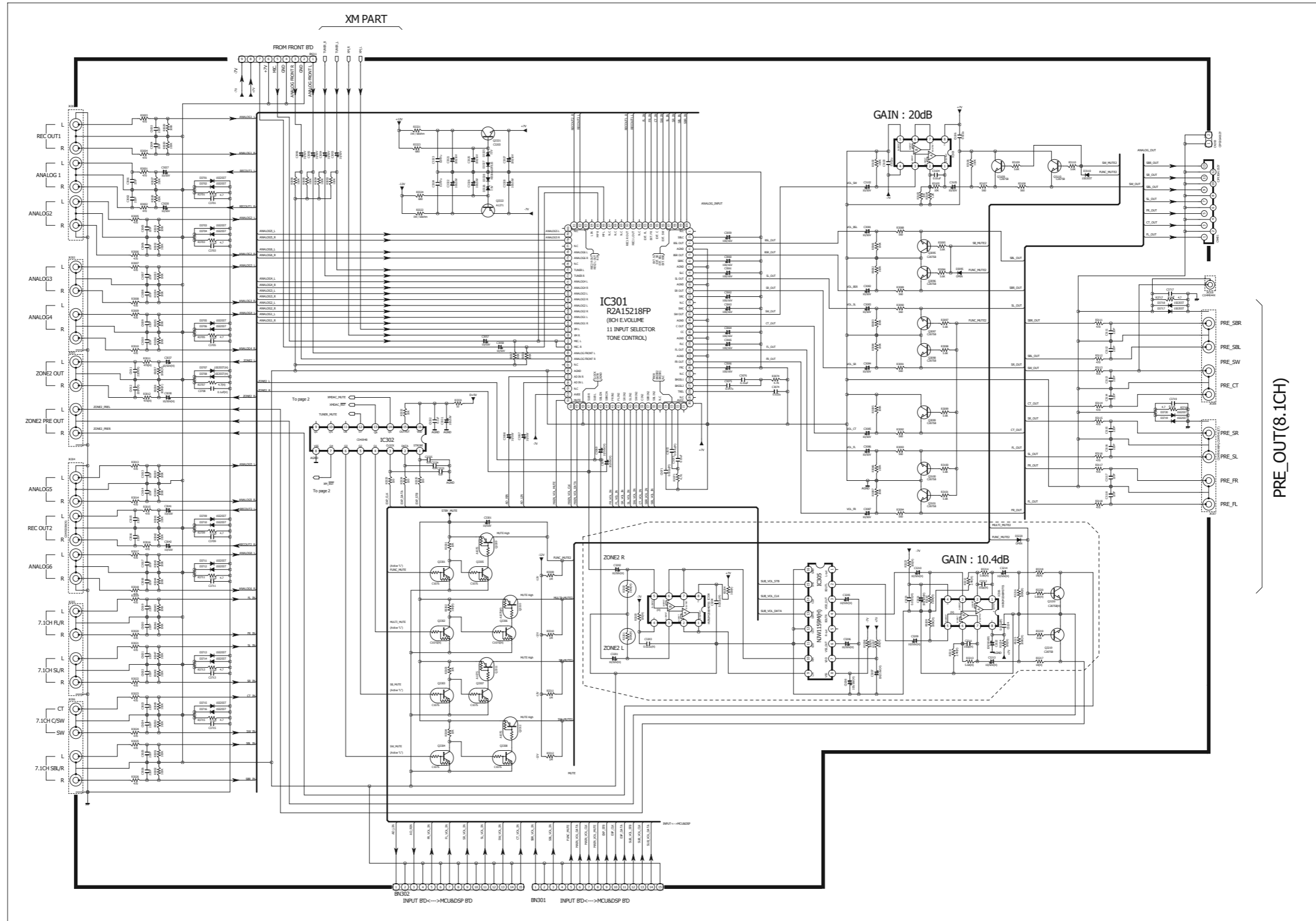


# SCHEMATIC DIAGRAM (DSP&CODEC WITH DIR PART)





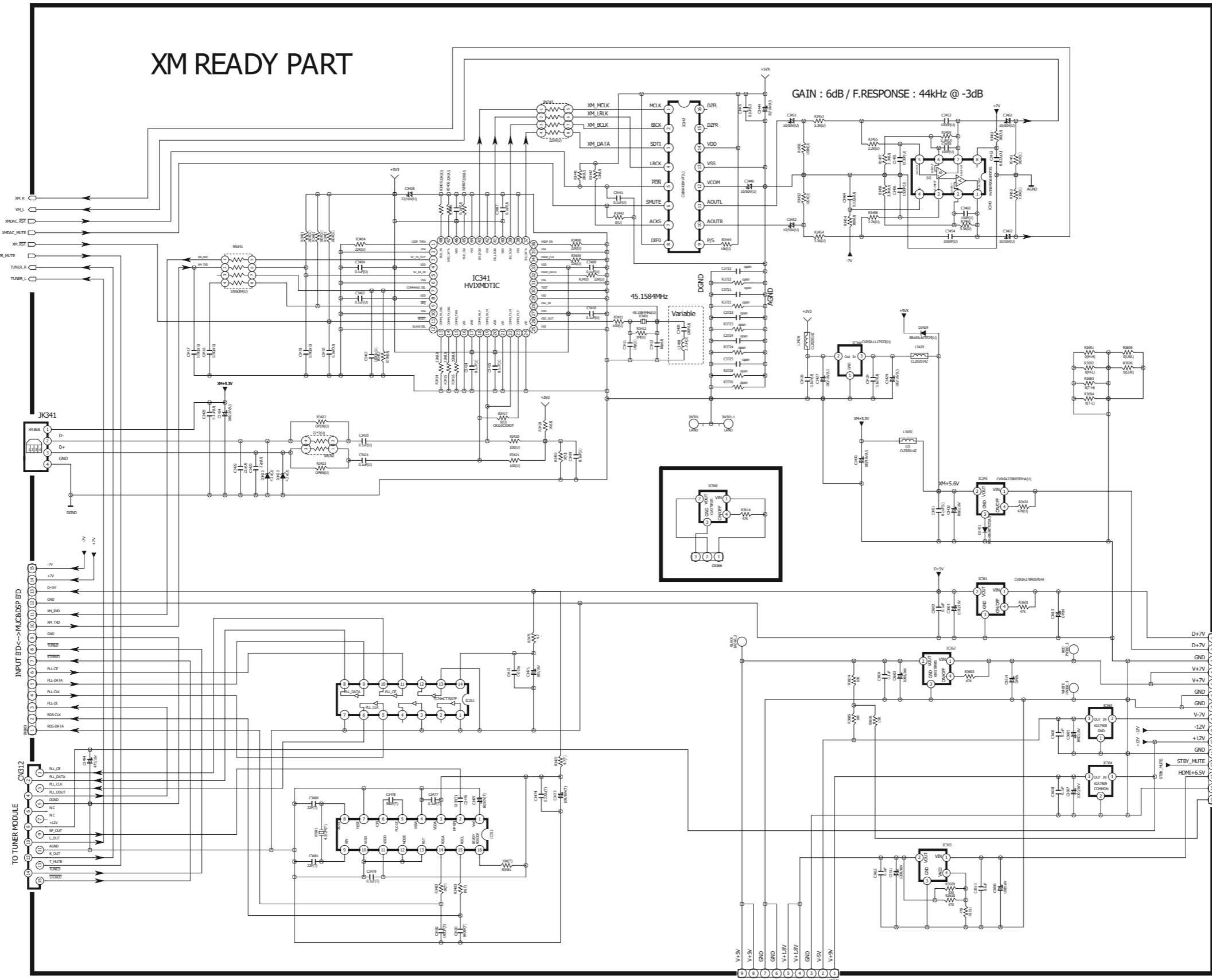
# SCHEMATIC DIAGRAM (INPUT&VOLUME PART)



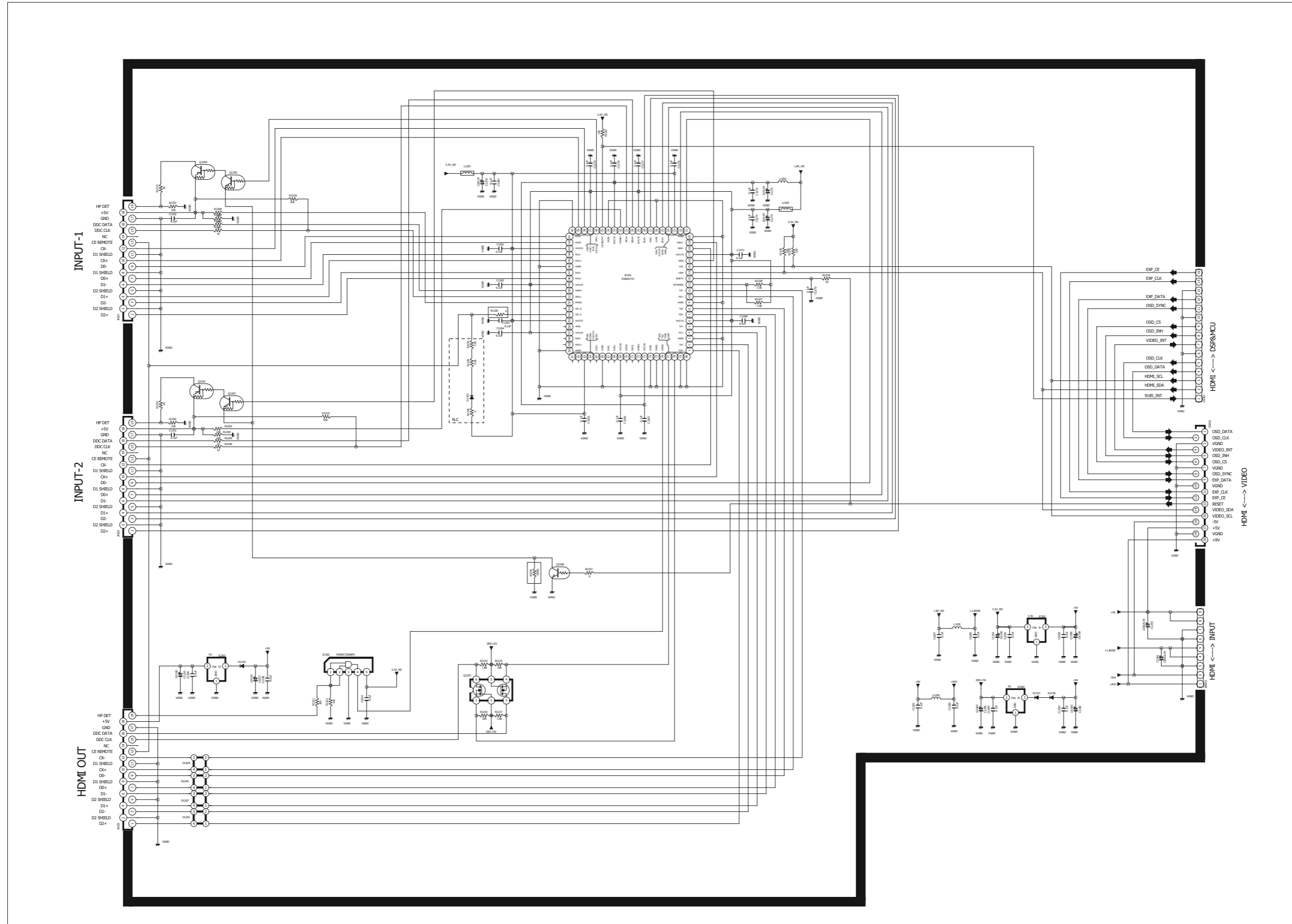
# SCHEMATIC DIAGRAM (XM&TUNER PART)

INPUT PART

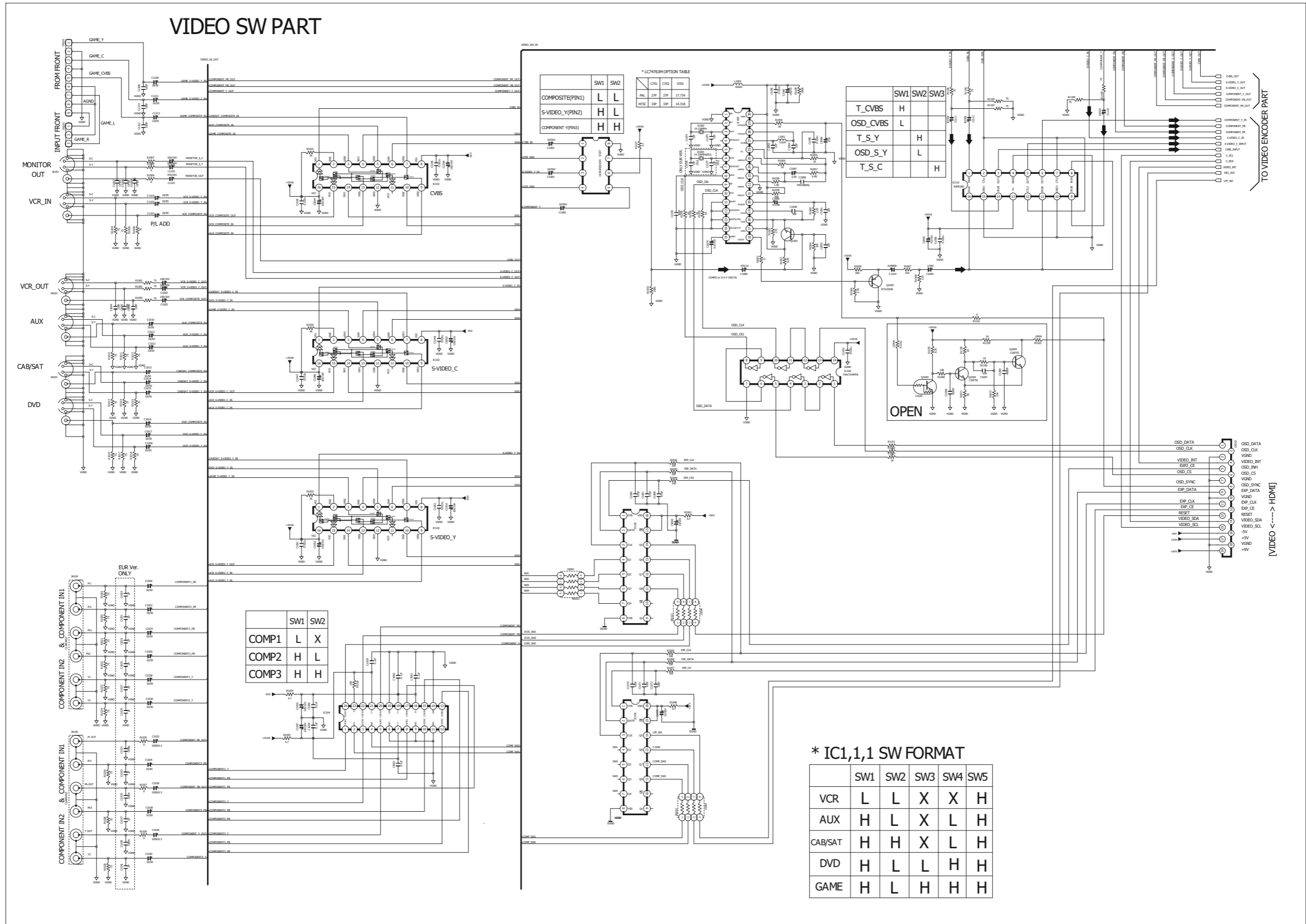
## XM READY PART



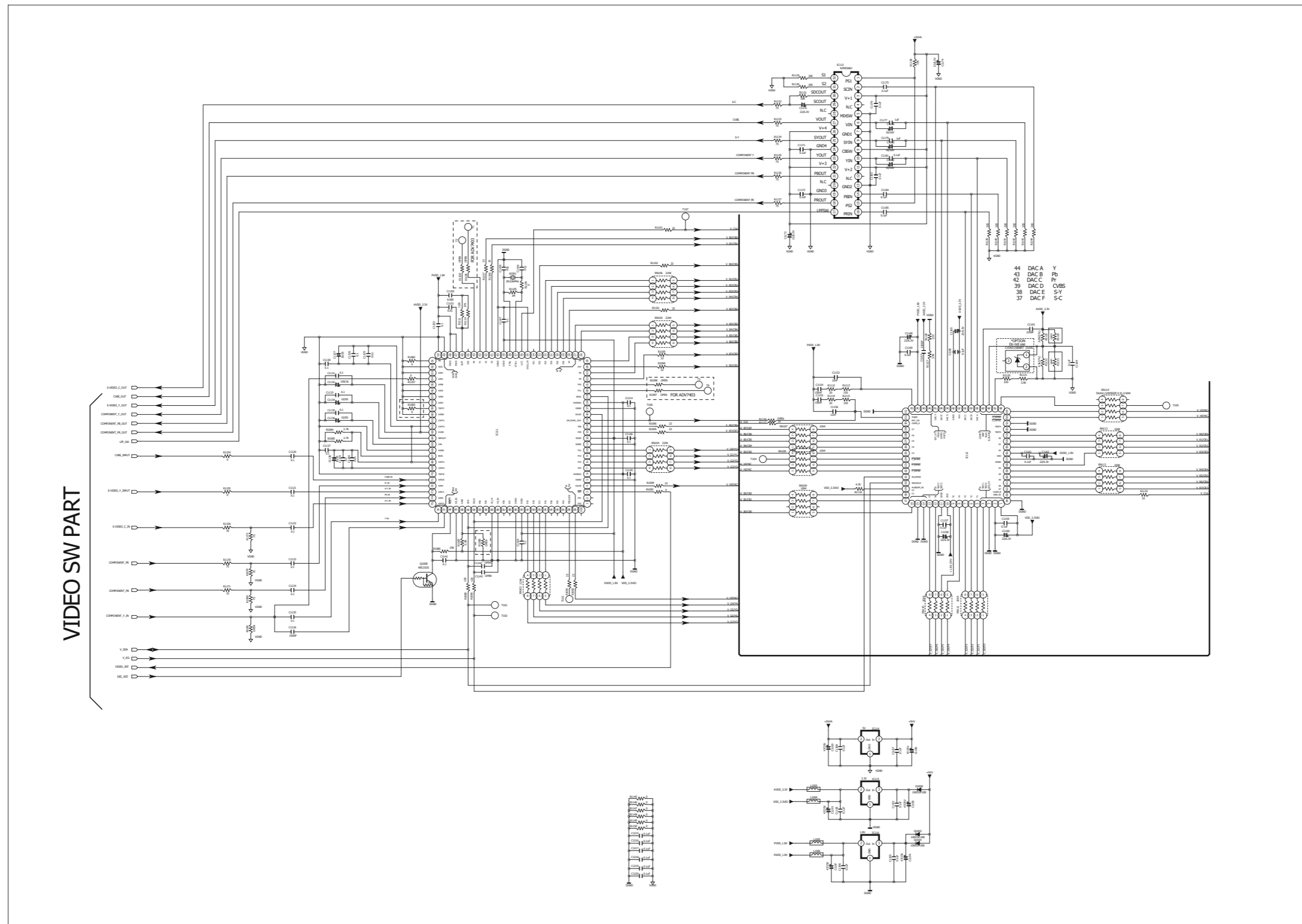
# SCHEMATIC DIAGRAM (HDMI SW PART)



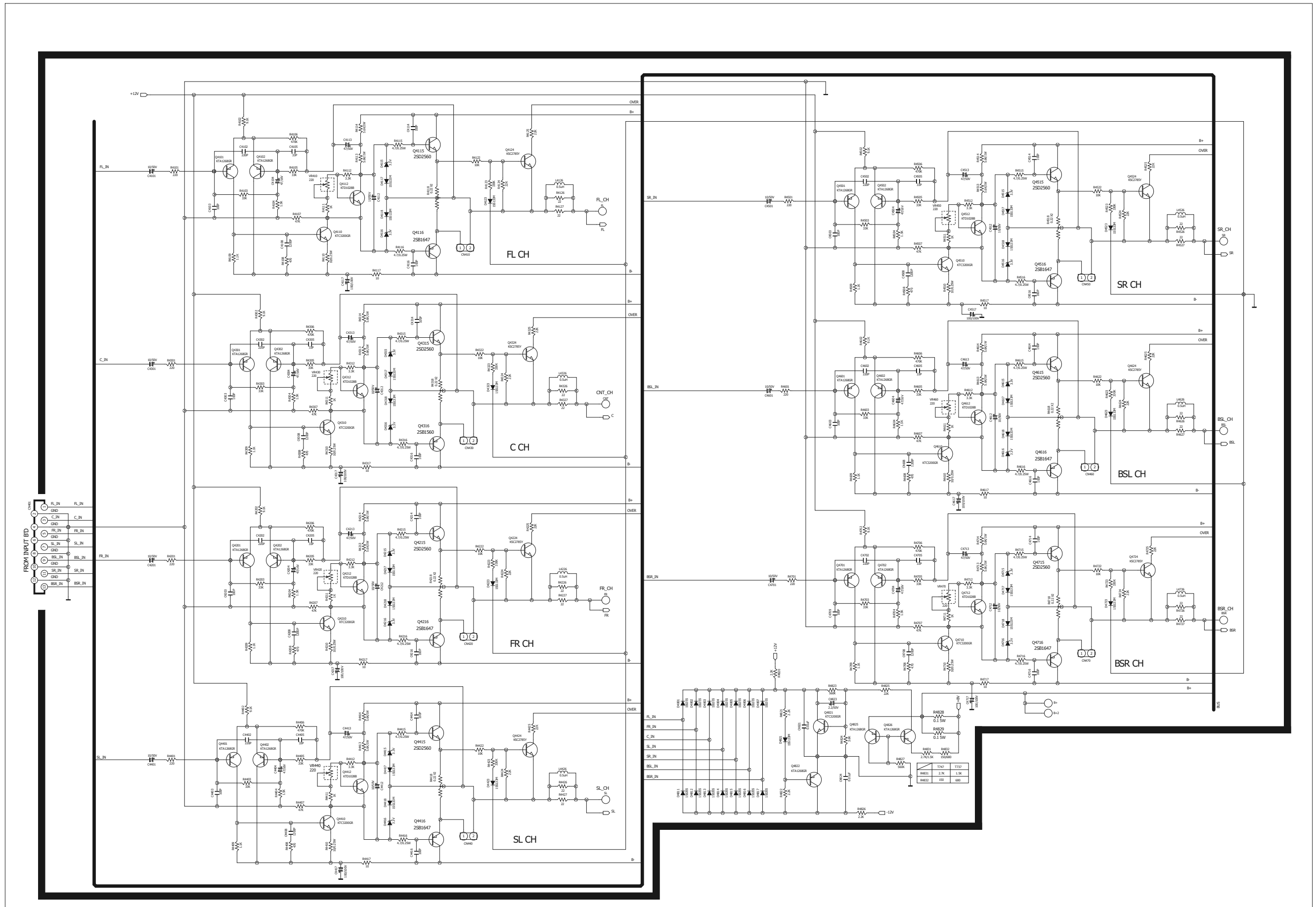
# SCHEMATIC DIAGRAM (VIDEO PART)



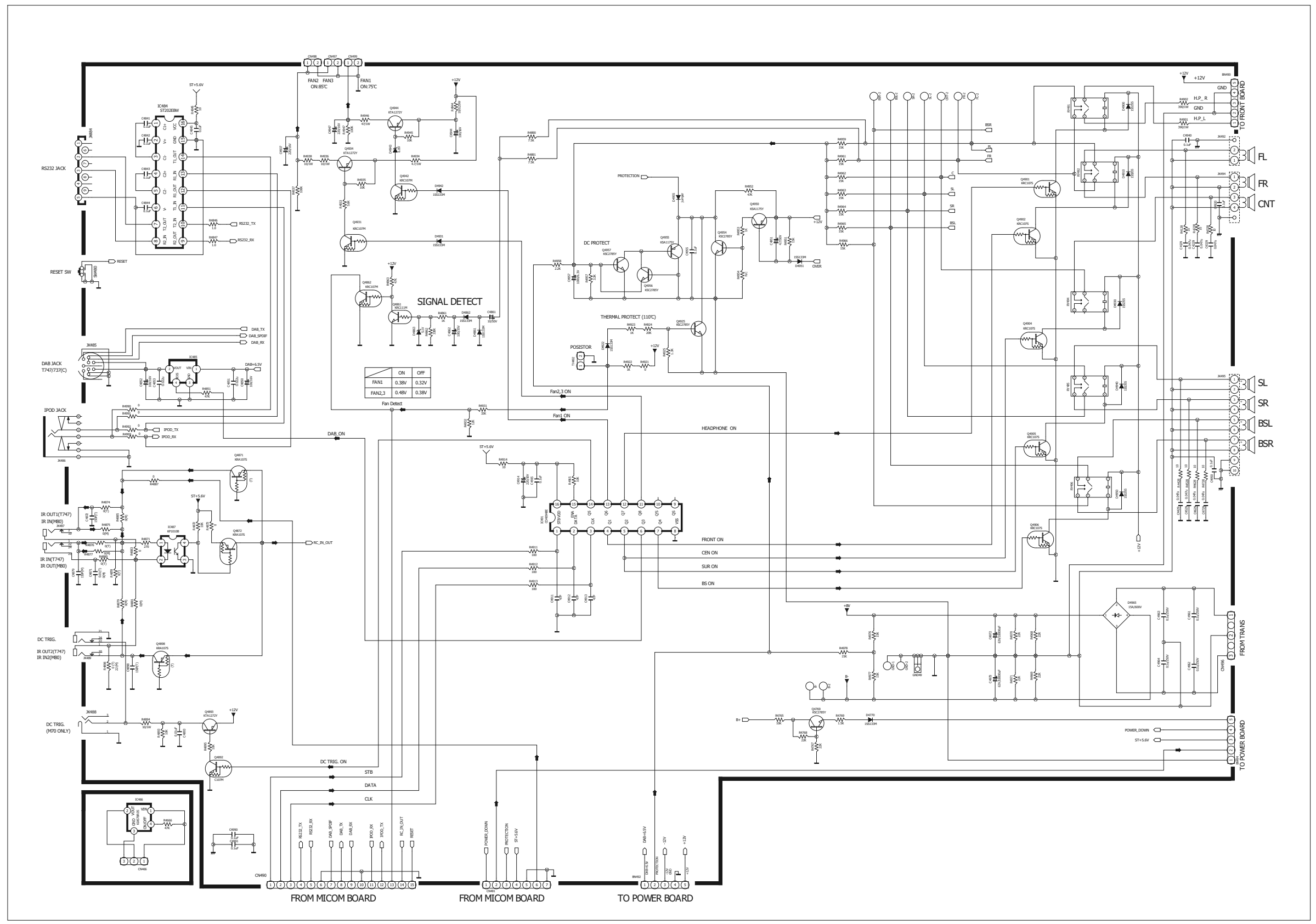
# SCHEMATIC DIAGRAM (VIDEO ENCODER PART)



# SCHEMATIC DIAGRAM (AMP #1 PART)



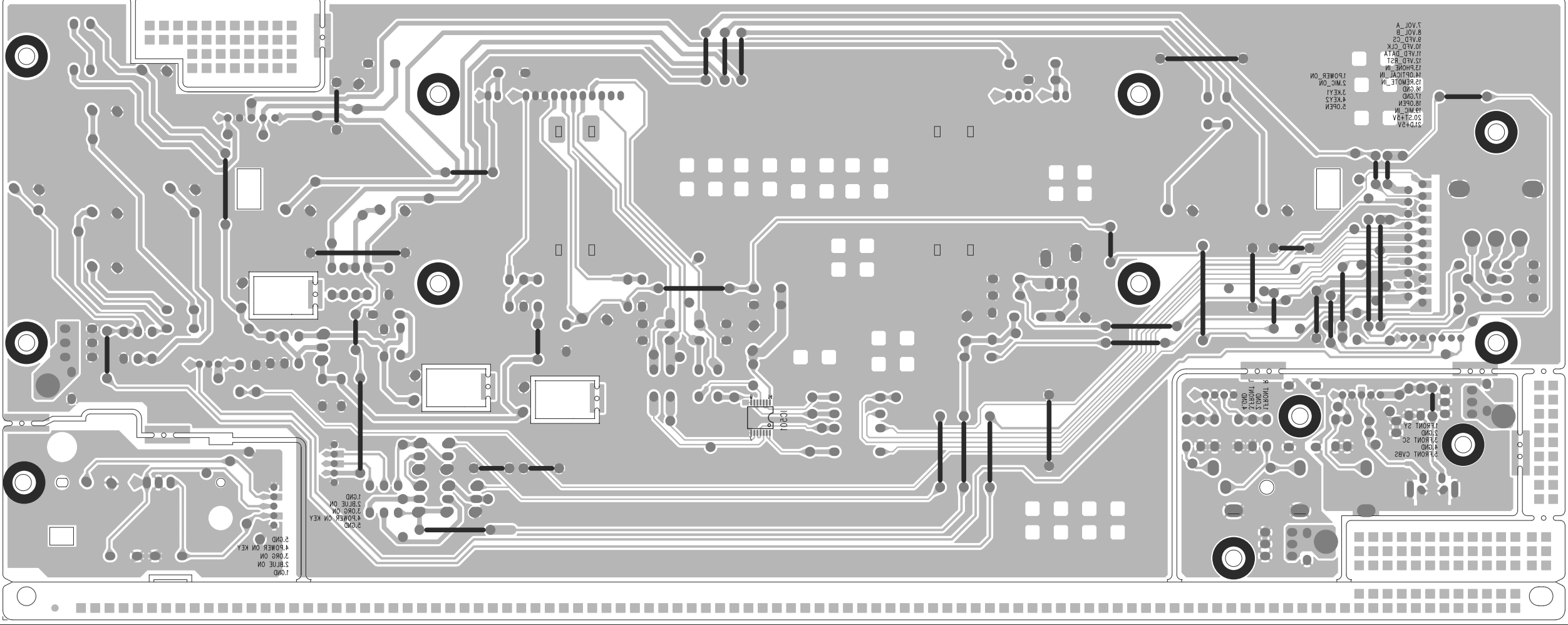
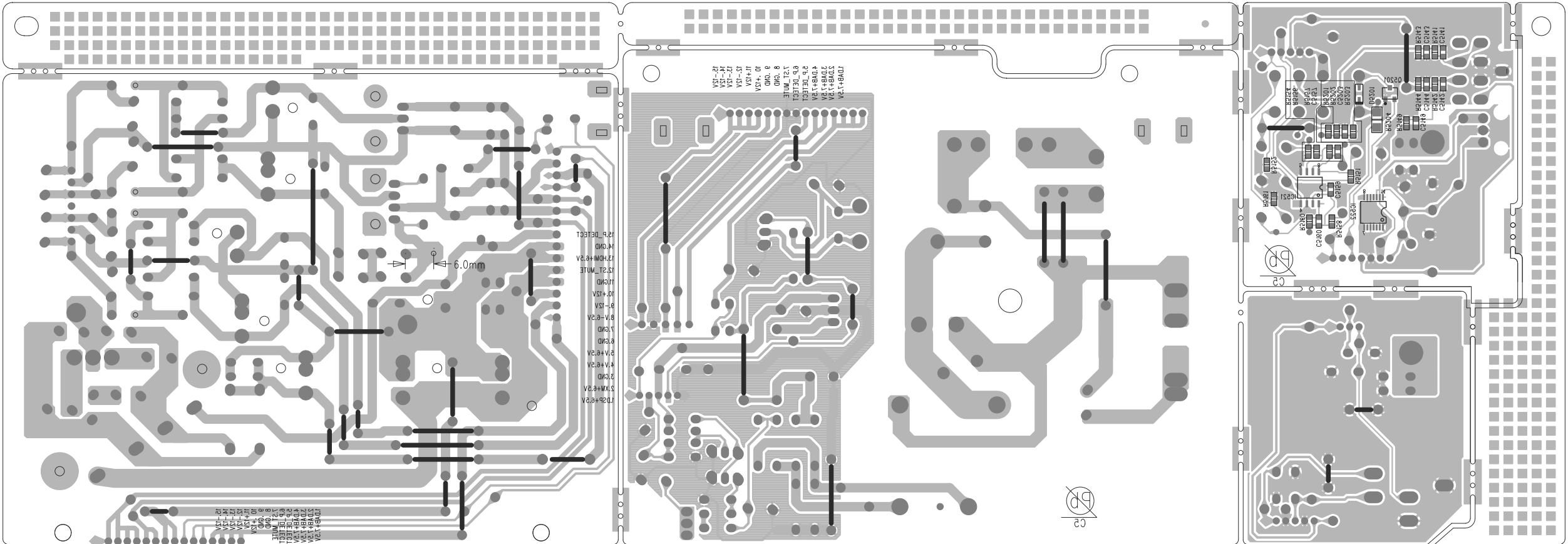
# SCHEMATIC DIAGRAM (AMP #2 PART)



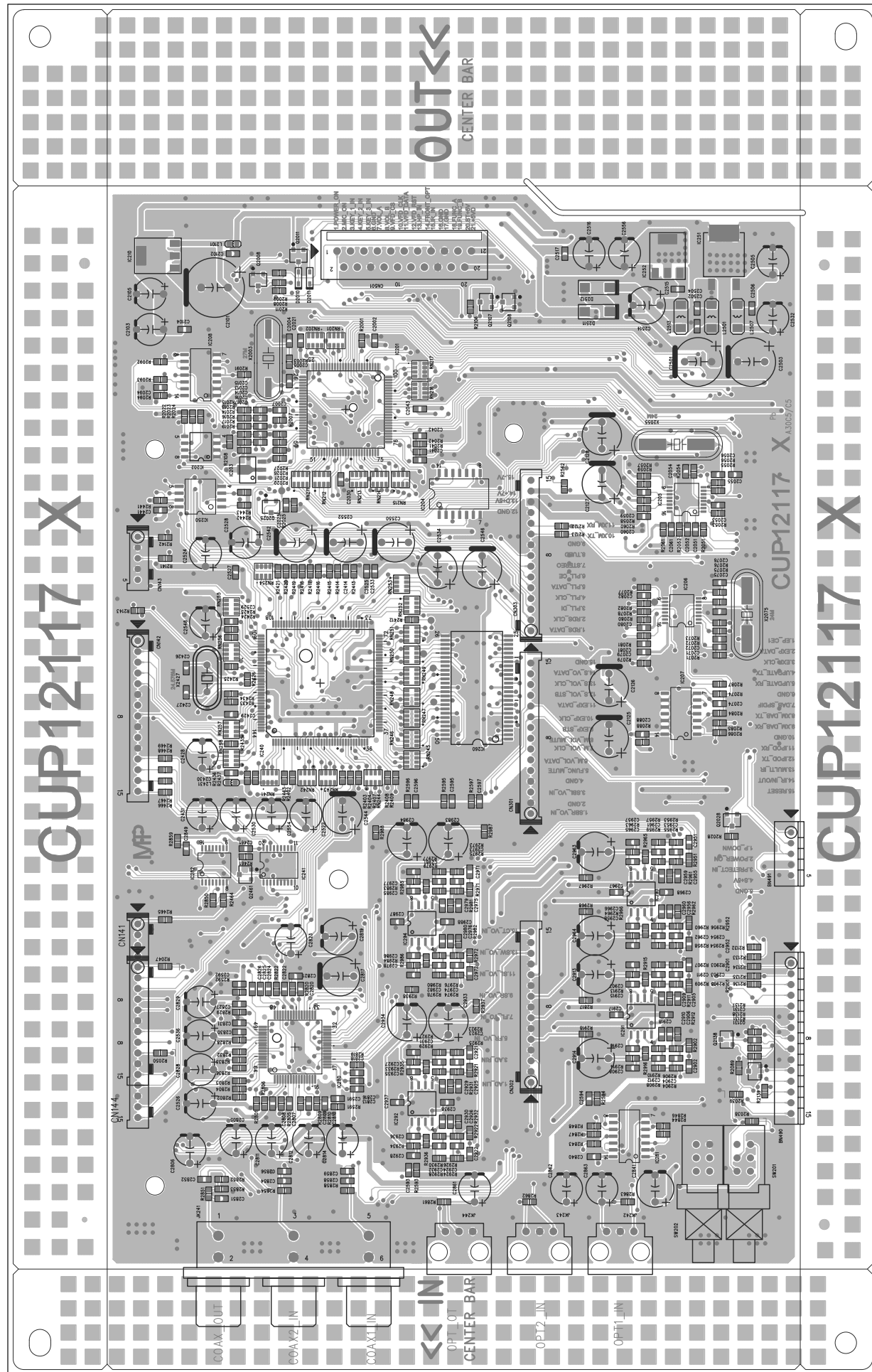




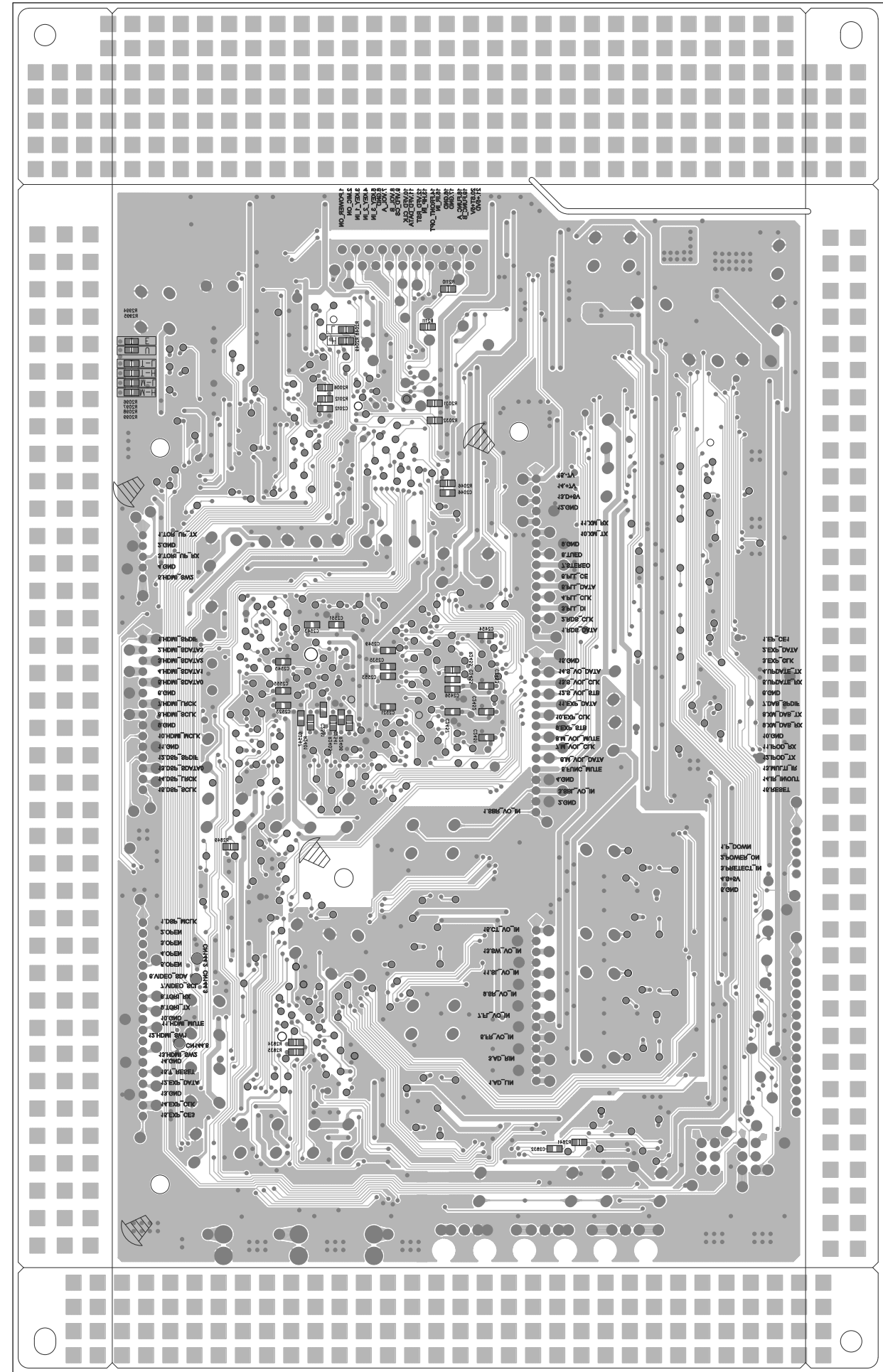
FRONT (BOTTOM VIEW)



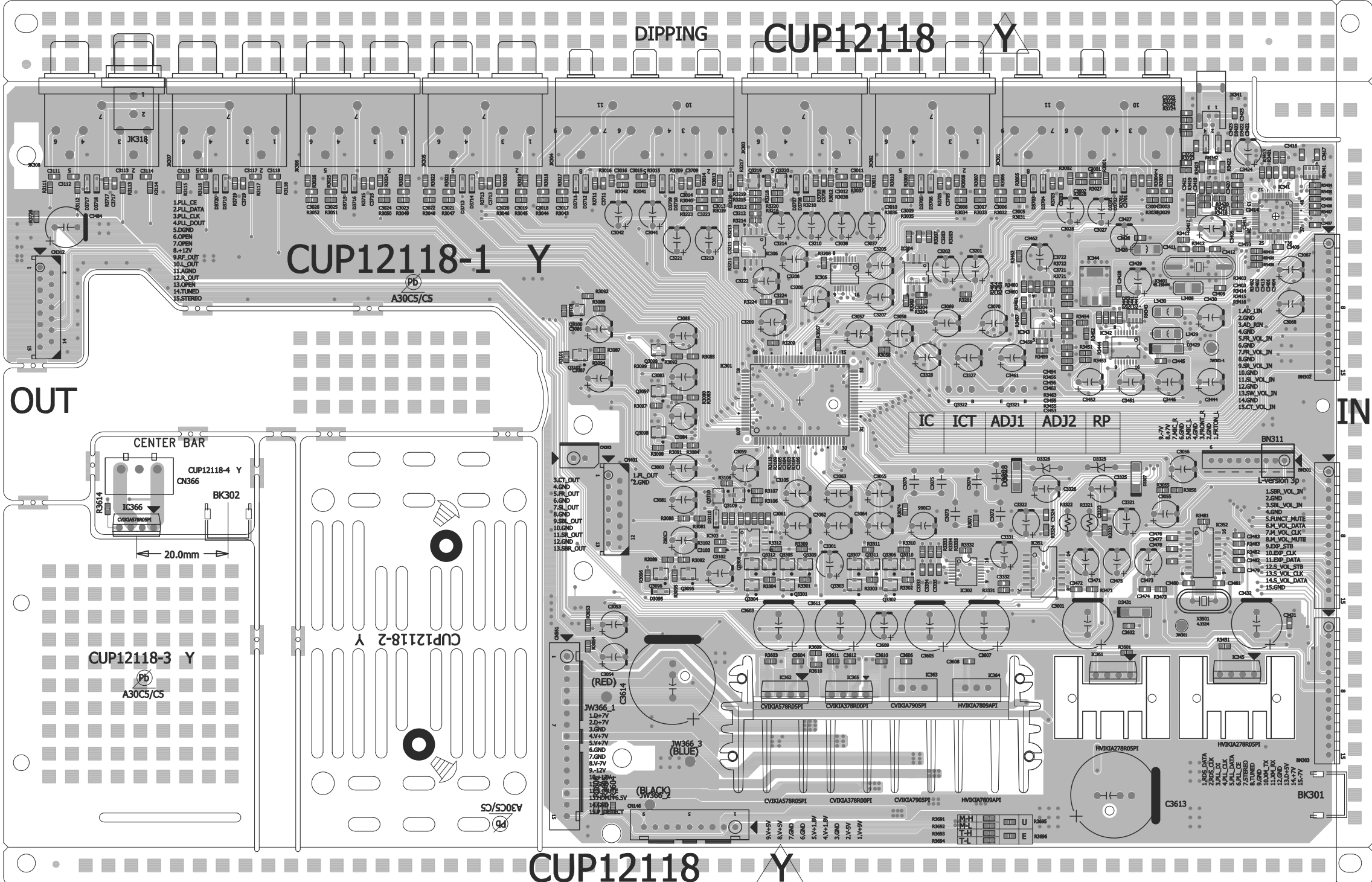
# MAIN (TOP VIEW)



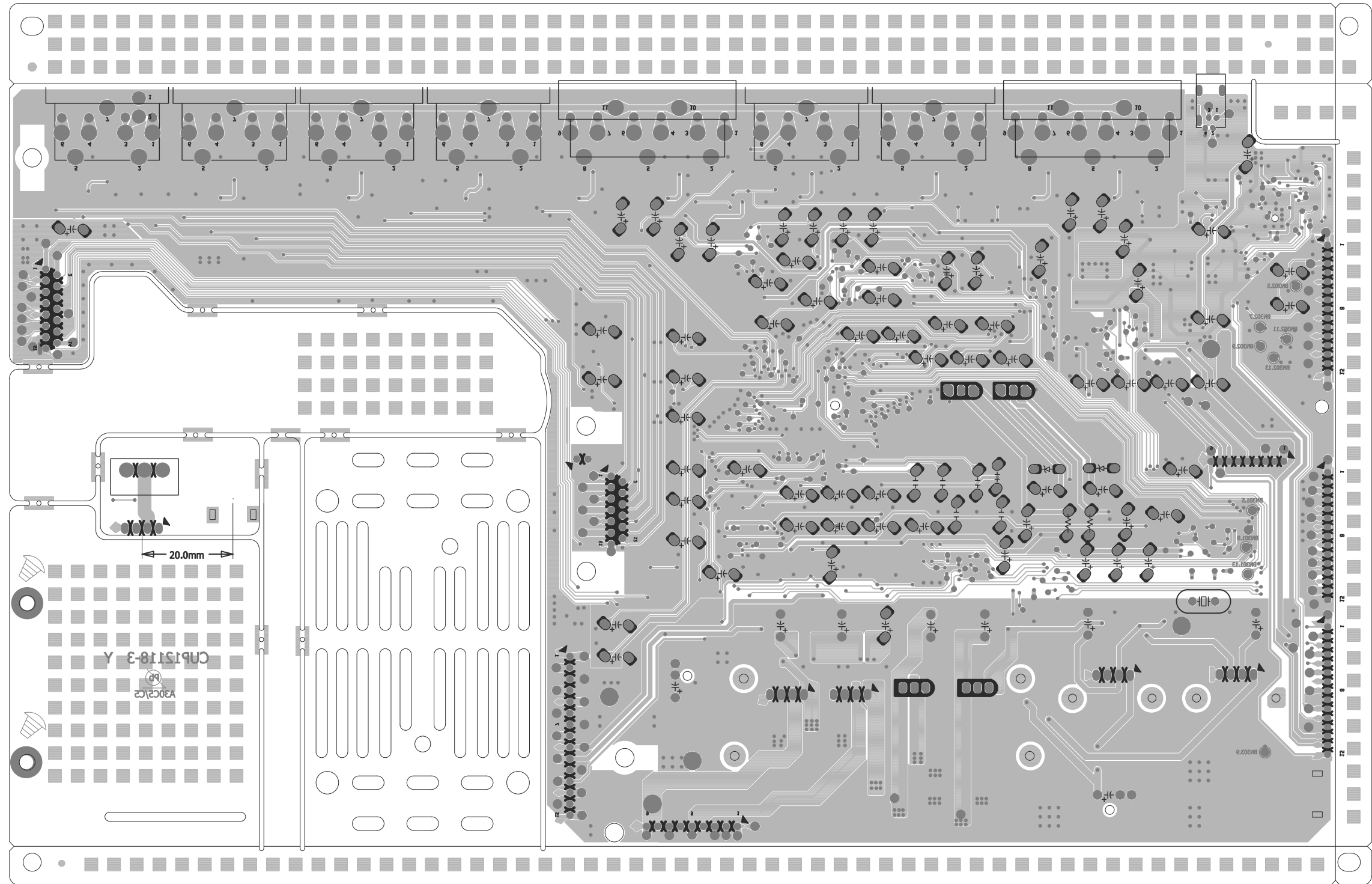
# MAIN (BOTTOM VIEW)



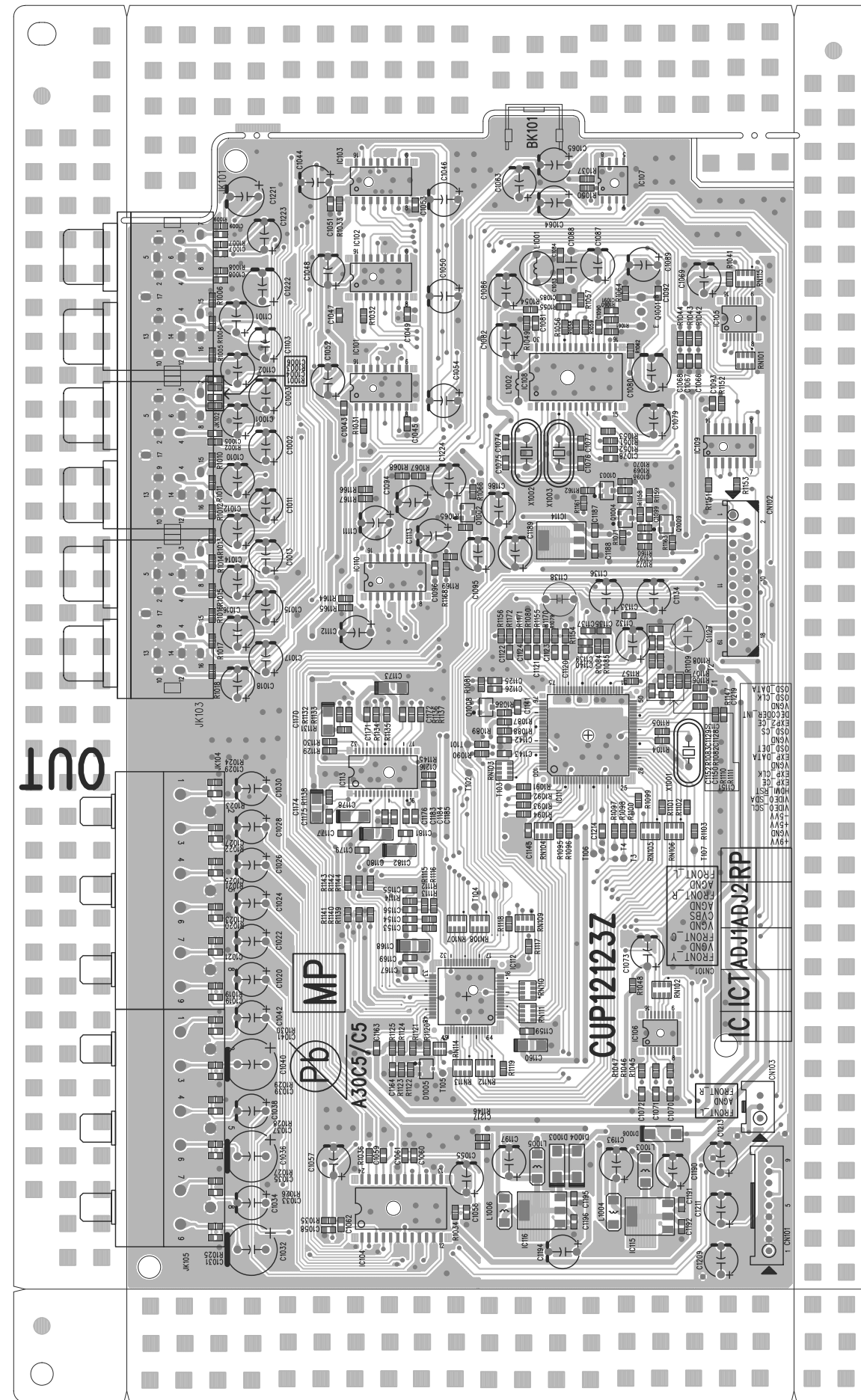
INPUT (TOP VIEW)



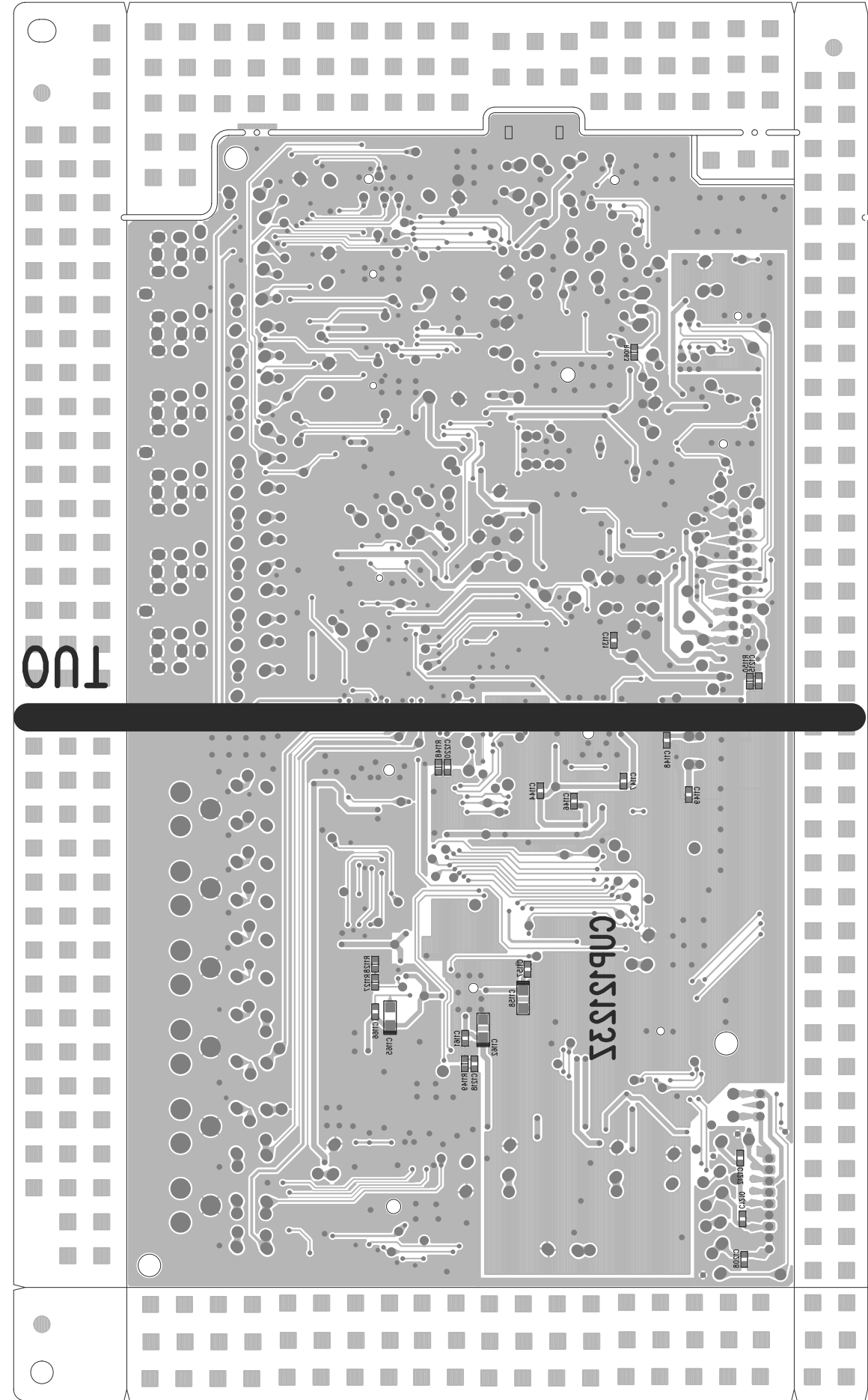
# INPUT (BOTTOM VIEW)



# VIDEO (TOP VIEW)



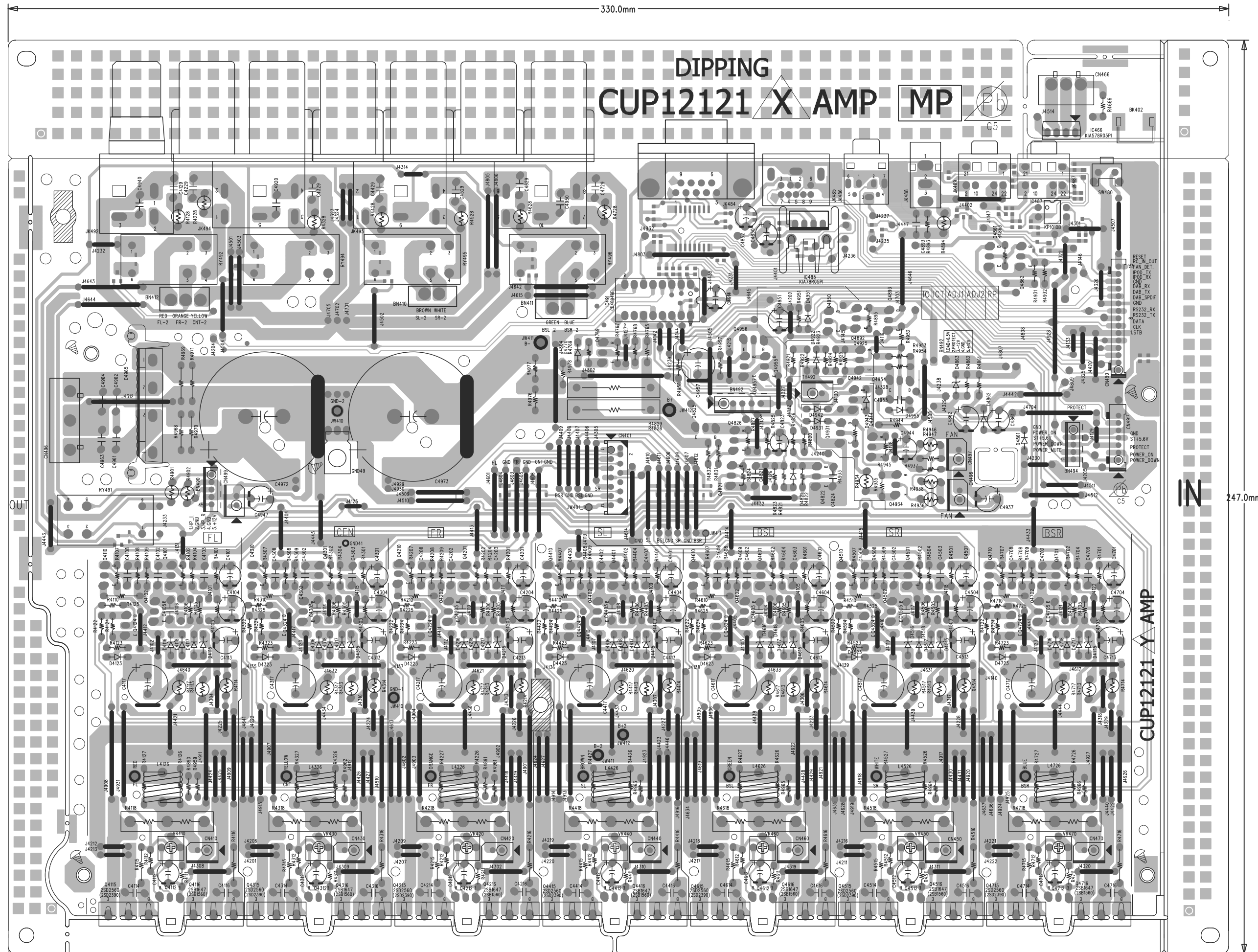
# VIDEO (BOTTOM VIEW)



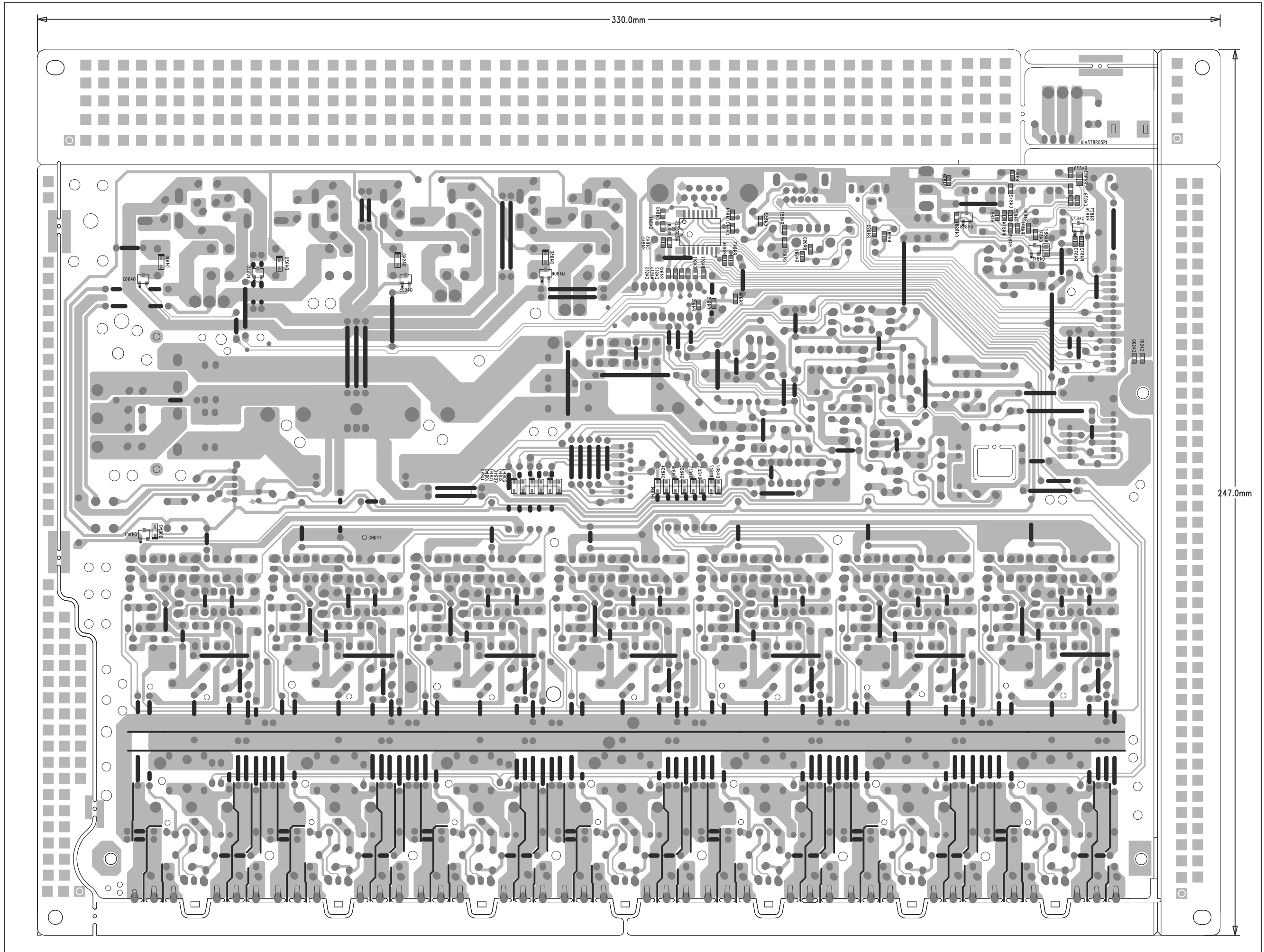


# AMP (TOP VIEW)

330.0mm

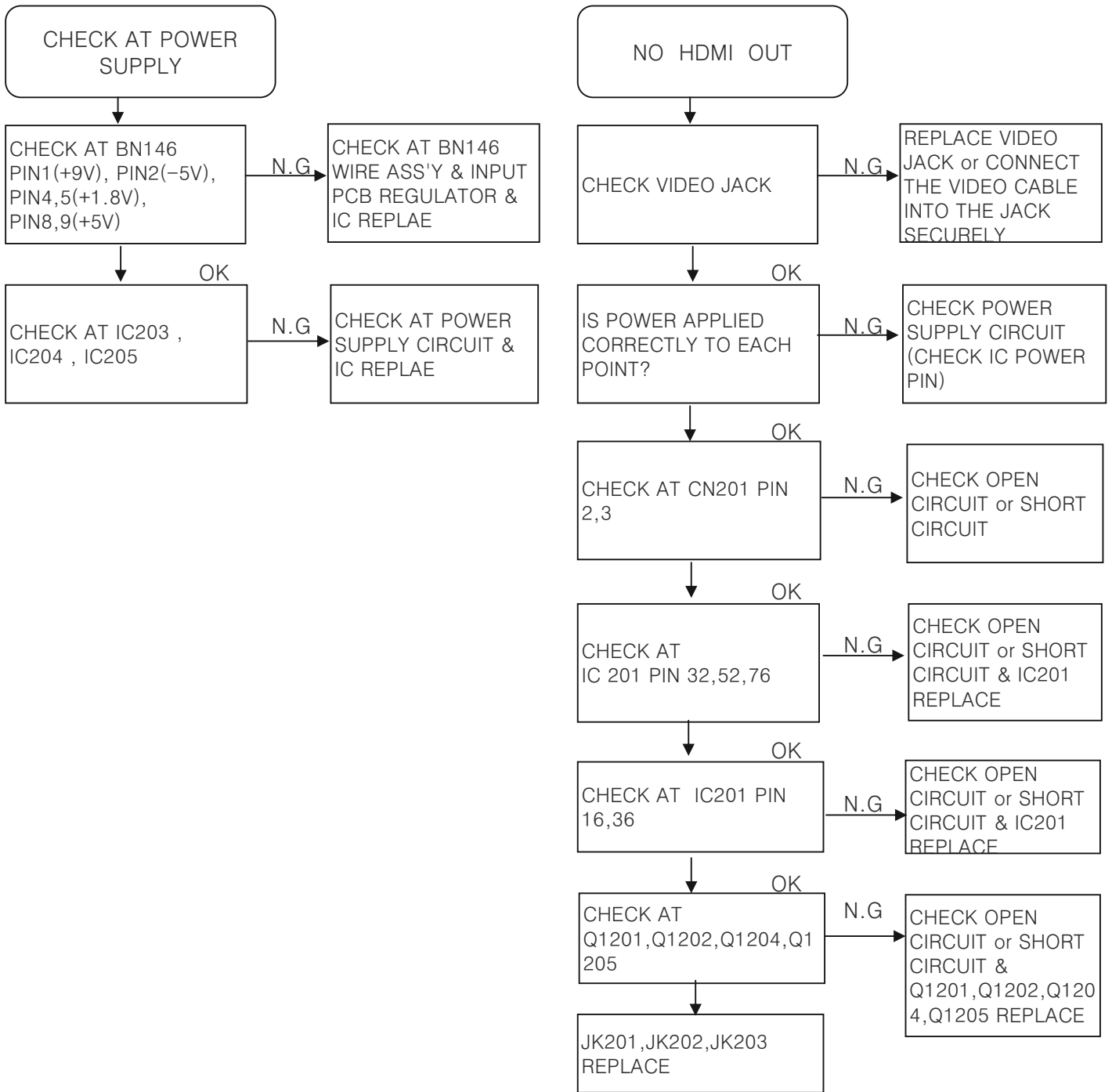


# AMP (BOTTOM VIEW)

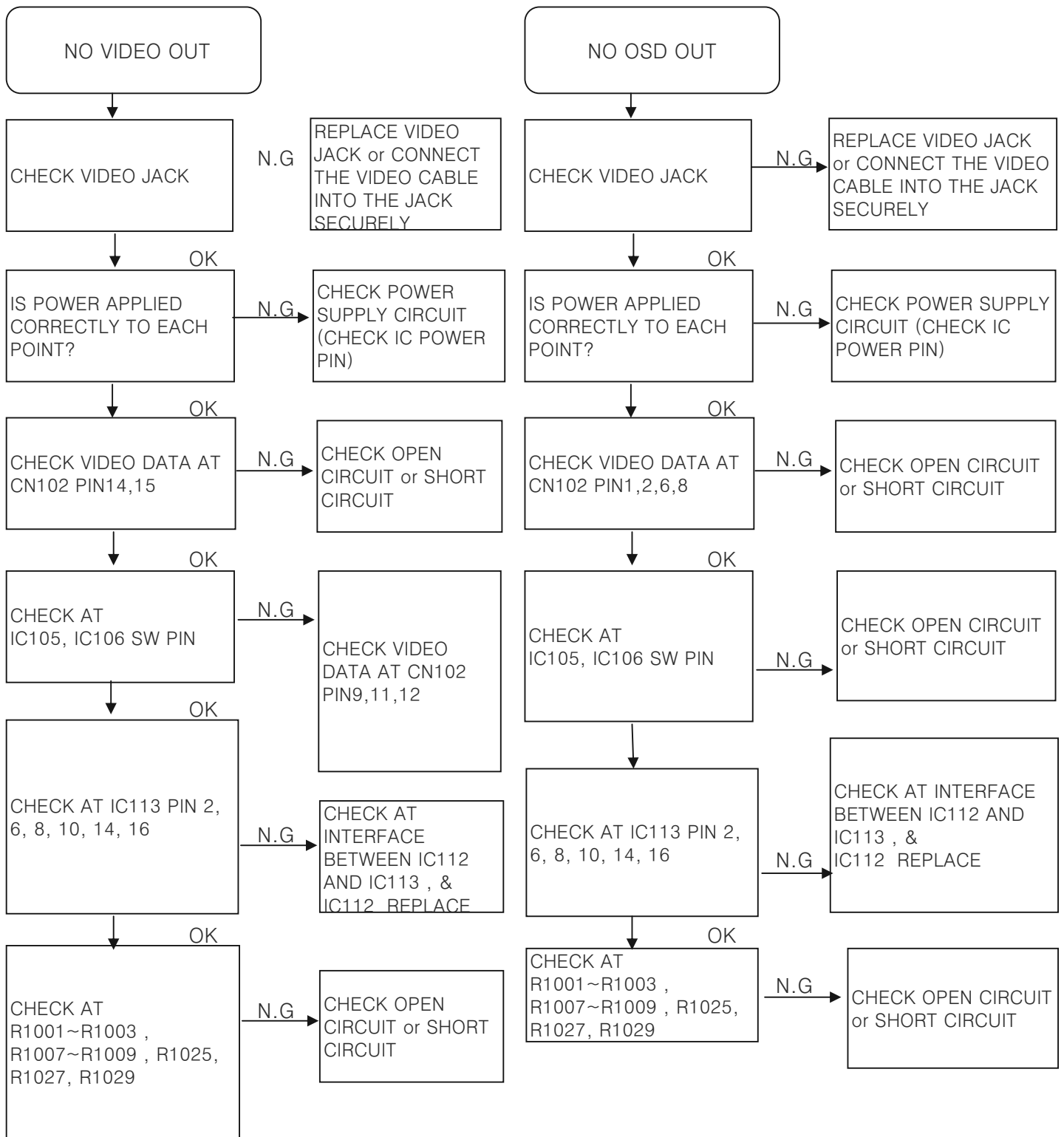




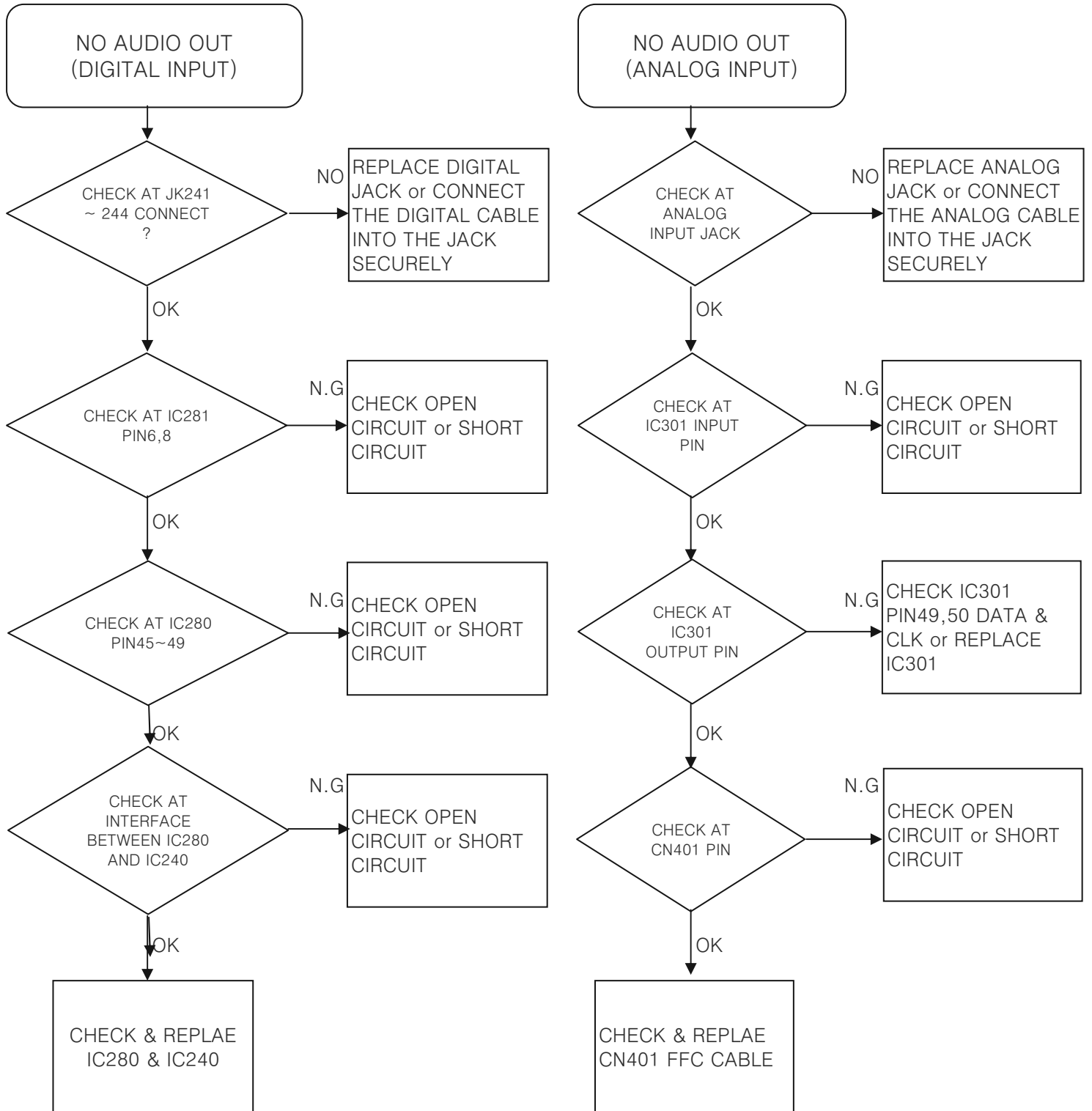
# \* HDMI PART TROUBLESHOOTING



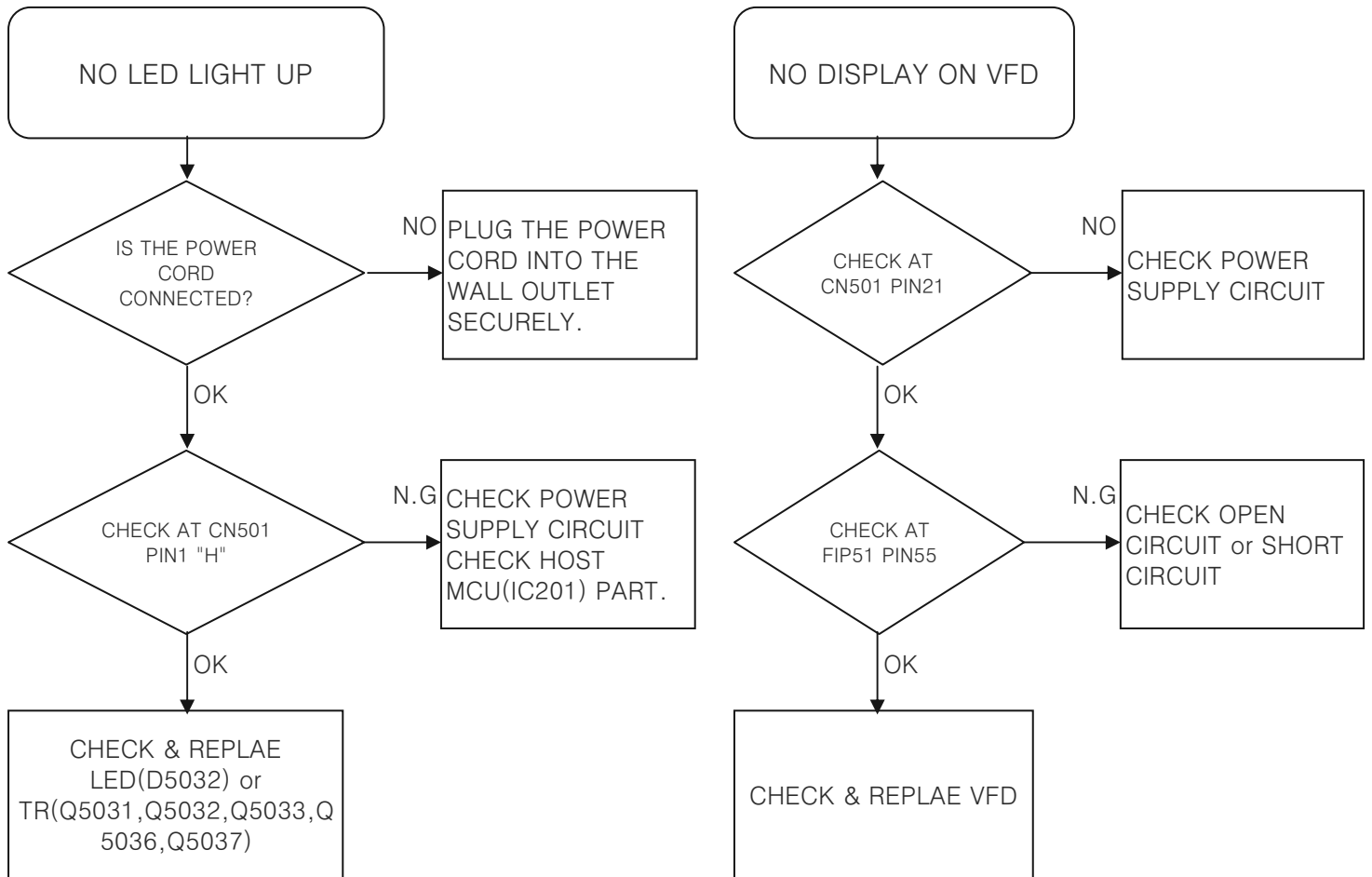
# \* VIDEO PART TROUBLESHOOTING



# \* AUDIO PART TROUBLESHOOTING



## \* DISPLAY PART TROUBLESHOOTING



# SECTION 3

## ELECTRICAL PARTS LIST

### ■ RESISTORS AND CAPACITORS

Notes : \* Please use this part number for parts order.

\* IMPORTANT SAFETY NOTICE.

Components identified by  $\triangle$  mark have special characteristics important for safety.  
When replacing any of these components, use only manufacture's specified parts.

\* The unit of resistance is ohm( $\Omega$ )

k=1000 $\Omega$  , M=1000k $\Omega$

\* The unit of capacitance is microfarad( $\mu F$ )

p=10-6  $\mu F$

### ■ Numbering System of Resistor

example

CRD    25    F    J    101  
Type    Wattage    Shape    Tolerance    Value

RESISTOR TYPE		WATTAGE	TOLERANCE
K(C)RD	CARBON	10 : 1/10 W	F : $\pm 1$ %
K(C)RJ	CARBON CHIP	14 : 1/4 W	J : $\pm 10$ %
K(C)RG	METAL OXIDE	20 : 1/5 W	K : $\pm 20$ %
K(C)RF	METAL CEMENT	25 : 1/4 W	
K(C)RQ	FUSIBLE	1 : 1 W	
		2 : 2 W	
		3 : 3 W	

### ■ Numbering System of Capacitor

example

CCC    T    1H    101    K    B  
Type    Voltage    Value    Tolerance    Peculiarity

Capacitor Type	VOLTAGE		Tolerance
	HCEA Type	Other	
HCB CERAMIC	0J : 6.3V	1H : 50V DC	C : $\pm 0.25 \mu F$
CCC CERAMIC	1A : 10V	1 : 125V DC	G : $\pm 2$ %
CCK CERAMIC	1C : 16V	KC : 400V AC	J : $\pm 5$ %
HCQ MYLAR	1E : 25V		K : $\pm 10$ %
HCU CERAMIC CHIP	1H : 50V		Z : +80%, -20%
HCE ELECT.	1V : 35V		

LOAD No.	PARTS No.	DESCRIPTION	SPECIFICATION
	<b>CUP12126X</b>	<b>PCB , FRONT (330X247 , FR1/1 LAYER)</b>	
C5001	CCBS1H102KBT	CAP , CERAMIC(1000PF/50V)	
C5005	CCBS1H102KBT	CAP , CERAMIC(1000PF/50V)	
C5023	CCBS1H223ZFT	CAP , CERAMIC(22000PF/50V)	
C5024	CCBS1H223ZFT	CAP , CERAMIC(22000PF/50V)	
C5031	CCBS1H104ZFT	CAP , CERAMIC	
C5032	CCBS1H104ZFT	CAP , CERAMIC	
C5033	CCEA1CKS101T	CAP , ELECT	
C5034	CCBS1H151KBT	CAP , CERAMIC(150PF/50V)	
C5035	CCBS1H223ZFT	CAP , CERAMIC(22000PF/50V)	
C5036	CCEA1CKS100T	CAP , ELECT	
C5037	CCEA1CKS100T	CAP , ELECT	
C5038	CCBS1H473ZFT	CAP , CERAMIC(47000PF/50V)	
C5041	CCBS1H104ZFT	CAP , CERAMIC	
C5042	CCBS1H102KBT	CAP , CERAMIC(1000PF/50V)	
C5043	CCBS1H102KBT	CAP , CERAMIC(1000PF/50V)	
C5044	CCBS1H102KBT	CAP , CERAMIC(1000PF/50V)	
C5045	CCEA1CKS101T	CAP , ELECT	
C5046	CCBS1H104ZFT	CAP , CERAMIC	
C5047	CCBS1H104ZFT	CAP , CERAMIC	
C5048	CCBS1H390JT	CAP , CERAMIC(39PF/50V)	
C5051	CCBS1H103ZFT	CAP , CERAMIC	
C5052	CCEA1JH470TS	CAP , ELECT	
C5053	CCEA1JH470TS	CAP , ELECT	
C5054	CCBS1H103ZFT	CAP , CERAMIC	
C5055	CCEA1JH470TS	CAP , ELECT	
C5056	CCEA1HKS100T	CAP , ELECT	
C5057	CCBS1H223ZFT	CAP , CERAMIC(22000PF/50V)	
C5058	CCBS1H223ZFT	CAP , CERAMIC(22000PF/50V)	
C5059	CCBS1H223ZFT	CAP , CERAMIC(22000PF/50V)	
C5060	CCEA1JH470TS	CAP , ELECT	
C5103	CCBS1H101KBT	CAP , CERAMIC(100PF/50V)	
C5104	CCBS1H101KBT	CAP , CERAMIC(100PF/50V)	
C5105	CCBS1H101KBT	CAP , CERAMIC(100PF/50V)	
C5106	CCBS1H101KBT	CAP , CERAMIC(100PF/50V)	
C5107	CCBS1H101KBT	CAP , CERAMIC(100PF/50V)	
C5111	CCBS1H104ZFT	CAP , CERAMIC	
C5112	CCBS1H104ZFT	CAP , CERAMIC	
C5113	CCBS1H104ZFT	CAP , CERAMIC	
C5115	CCBS1H104ZFT	CAP , CERAMIC	
C5214	CCBS1H471KBT	CAP , CERAMIC(470PF/50V)	
C5215	CCBS1H471KBT	CAP , CERAMIC(470PF/50V)	
C5217	CCBS1H104ZFT	CAP , CERAMIC	
C5218	CCEA1AH471T	CAP , ELECT	
C5219	CCBS1H104ZFT	CAP , CERAMIC	
C5220	CCBS1H104ZFT	CAP , CERAMIC	
C5231	CCBS1H104ZFT	CAP , CERAMIC	
C5232	CCBS1H104ZFT	CAP , CERAMIC	
C5301	HCQI1H103JZT	CAP , MYLAR	
C5302	HCQI1H103JZT	CAP , MYLAR	
C5303	CCME2A154JXT	CAP , METALLIZED FILM	
C5311	CCBS1H104ZFT	CAP , CERAMIC	
C5312	CCBS1H104ZFT	CAP , CERAMIC	
C5401	HCQI1H103JZT	CAP , MYLAR	
C5402	HCQI1H103JZT	CAP , MYLAR	
C5403	CCME2A154JXT	CAP , METALLIZED FILM	
C5501	CCME2A154JXT	CAP , METALLIZED FILM	
C5502	CCME2A154JXT	CAP , METALLIZED FILM	
C5503	CCME2A154JXT	CAP , METALLIZED FILM	

LOAD No.	PARTS No.	DESCRIPTION	SPECIATION
C5504	CCME2A154JXT	CAP , METALLIZED FILM	
C5507	CCBS1H104ZFT	CAP , CERAMIC	
C5508	CCBS1H104ZFT	CAP , CERAMIC	
C5602	CCBS1H104ZFT	CAP , CERAMIC	
C5702	CCEA1HH1R0T	CAP , ELECT	
C5706	CCEA1CH101T	CAP , ELECT	
C5707	CCBS1H104ZFT	CAP , CERAMIC	
C5708	CCEA1HH470T	CAP , ELECT	
C5711	CCEA1CH101T	CAP , ELECT	
C5716	CCEA1HHR15T	CAP , ELECT	
C5721	CCEA1HH2R2T	CAP , ELECT	
D5044	CVDZJ27BT	DIODE , ZENER	
D5053	CVDZJ13BT	DIODE , ZENER	
D5055	CVD1N4003ST	DIODE , RECT	
D5056	CVDZJ8.2BT	DIODE , ZENER	
D5111	CVD1SS133MT	DIODE	
D5112	CVD1SS133MT	DIODE	
D5113	CVD1SS133MT	DIODE	
D5114	CVD1SS133MT	DIODE	
D5115	CVD1SS133MT	DIODE	
D5116	CVD1SS133MT	DIODE	
D5306	CVD1N4003ST	DIODE , RECT	
D5307	CVD1N4003ST	DIODE , RECT	
D5310	CVD1N4003SRT	DIODE , RECT	
D5311	CVD1N4003SRT	DIODE , RECT	
D5312	C3A206	WIRE , COPPER	
D5313	C3A206	WIRE , COPPER	
D5407	CVD1N4003ST	DIODE , RECT	
D5408	CVD1N4003ST	DIODE , RECT	
D5701	CVD1N4003ST	DIODE , RECT	
D5702	CVD1N4003ST	DIODE , RECT	
D5703	CVD1N4003ST	DIODE , RECT	
D5704	CVD1N4003ST	DIODE , RECT	
D5707	CVD1SS133MT	DIODE	
D5713	CVD1SS133MT	DIODE	
D5721	CVD1N4003ST	DIODE , RECT	
D5722	CVD1N4003ST	DIODE , RECT	
D5723	CVDZJ6.8BT	DIODE , ZENER	
J5001	C3A206	WIRE , COPPER	
J5002	C3A206	WIRE , COPPER	
J5011	C3A206	WIRE , COPPER	
J5012	C3A206	WIRE , COPPER	
J5013	C3A206	WIRE , COPPER	
J5014	C3A206	WIRE , COPPER	
J5015	C3A206	WIRE , COPPER	
J5016	C3A206	WIRE , COPPER	
J5017	C3A206	WIRE , COPPER	
J5031	C3A206	WIRE , COPPER	
J5032	C3A206	WIRE , COPPER	
J5033	C3A206	WIRE , COPPER	
J5034	C3A206	WIRE , COPPER	
J5035	C3A206	WIRE , COPPER	
J5036	C3A206	WIRE , COPPER	
J5037	C3A206	WIRE , COPPER	
J5038	C3A206	WIRE , COPPER	
J5039	C3A206	WIRE , COPPER	
J5041	C3A206	WIRE , COPPER	
J5042	C3A206	WIRE , COPPER	
J5043	C3A206	WIRE , COPPER	

LOAD No.	PARTS No.	DESCRIPTION	SPECIATION
J5051	C3A206	WIRE , COPPER	
J5052	C3A206	WIRE , COPPER	
J5053	C3A206	WIRE , COPPER	
J5054	C3A206	WIRE , COPPER	
J5055	C3A206	WIRE , COPPER	
J5056	C3A206	WIRE , COPPER	
J5057	C3A206	WIRE , COPPER	
J5058	C3A206	WIRE , COPPER	
J5059	C3A206	WIRE , COPPER	
J5061	C3A206	WIRE , COPPER	
J5071	C3A206	WIRE , COPPER	
J5072	C3A206	WIRE , COPPER	
J5081	C3A206	WIRE , COPPER	
J5082	C3A206	WIRE , COPPER	
J5101	C3A206	WIRE , COPPER	
J5102	C3A206	WIRE , COPPER	
J5121	C3A206	WIRE , COPPER	
J5122	C3A206	WIRE , COPPER	
J5123	C3A206	WIRE , COPPER	
J5124	C3A206	WIRE , COPPER	
J5125	C3A206	WIRE , COPPER	
J5131	C3A206	WIRE , COPPER	
J5132	C3A206	WIRE , COPPER	
J5133	C3A206	WIRE , COPPER	
J5134	C3A206	WIRE , COPPER	
J5135	C3A206	WIRE , COPPER	
J5136	C3A206	WIRE , COPPER	
J5141	C3A206	WIRE , COPPER	
J5142	C3A206	WIRE , COPPER	
J5143	C3A206	WIRE , COPPER	
J5144	C3A206	WIRE , COPPER	
J5151	C3A206	WIRE , COPPER	
J5152	C3A206	WIRE , COPPER	
J5154	C3A206	WIRE , COPPER	
J5161	C3A206	WIRE , COPPER	
J5211	C3A206	WIRE , COPPER	
J5221	C3A206	WIRE , COPPER	
J5231	C3A206	WIRE , COPPER	
J5232	C3A206	WIRE , COPPER	
J5242	C3A206	WIRE , COPPER	
J5251	C3A206	WIRE , COPPER	
J5252	C3A206	WIRE , COPPER	
J5253	C3A206	WIRE , COPPER	
J5254	C3A206	WIRE , COPPER	
J5255	C3A206	WIRE , COPPER	
J5403	C3A206	WIRE , COPPER	
J5404	C3A206	WIRE , COPPER	
J5405	C3A206	WIRE , COPPER	
L5057	HLQ02C100KT	COIL , AXAIL	
Q5031	HVTKRA102MT	T.R	
Q5032	HVTKRA102MT	T.R	
Q5033	HVTKRC102MT	T.R	
Q5036	HVTKRC102MT	T.R	
Q5037	HVTKRC102MT	T.R	
Q5051	HVTKSC2316YT	T.R	
Q5703	HVTKRC107MT	T.R	
Q5705	HVTKSC2785YT	T.R	
Q5705	HVTKTC3199YT	T.R	
Q5716	HVTKRC107MT	T.R	



LOAD No.	PARTS No.	DESCRIPTION	SPECIATION
R5001	CRD20TF1001T	RES , CARBON	
R5002	CRD20TF1501T	RES , CARBON	
R5003	CRD20TF1801T	RES , CARBON	
R5004	CRD20TF2701T	RES , CARBON	
R5005	CRD20TF1001T	RES , CARBON	
R5006	CRD20TF1501T	RES , CARBON	
R5007	CRD20TF1801T	RES , CARBON	
R5008	CRD20TF2701T	RES , CARBON	
R5009	CRD20TJ4R7T	RES , CARBON	
R5011	CRD20TF3301T	RES , CARBON	
R5012	CRD20TF5601T	RES , CARBON(5.6K/F)	
R5023	CRD20TJ272T	RES , CARBON	
R5024	CRD20TJ272T	RES , CARBON	
R5026	CRD20TJ101T	RES , CARBON	
R5027	CRD20TJ102T	RES , CARBON	
R5028	CRD20TJ102T	RES , CARBON	
R5029	CRD20TJ102T	RES , CARBON	
R5030	CRD20TJ102T	RES , CARBON	
R5031	CRD20TJ681T	RES , CARBON	
R5032	CRD20TJ561T	RES , CARBON	
R5033	CRD20TJ4R7T	RES , CARBON	
R5034	CRD20TJ473T	RES , CARBON	
R5035	CRD20TJ4R7T	RES , CARBON	
R5036	CRD20TJ103T	RES , CARBON	
R5041	CRD20TJ470T	RES , CARBON	
R5042	CRD20TJ470T	RES , CARBON	
R5043	CRD20TJ470T	RES , CARBON	
R5044	CRD20TJ470T	RES , CARBON	
R5045	CRD20TJ100T	RES , CARBON	
R5047	CRD20TJ100T	RES , CARBON	
R5048	CRD20TJ822T	RES , CARBON	
R5051	CRD20TJ473T	RES , CARBON	
R5052	CRD20TJ104T	RES , CARBON	
R5053	CRD20TJ122T	RES , CARBON	
R5054	CRD20TJ104T	RES , CARBON	
R5055	CRD25FJ2R2T	RES , CARBON	
R5056	CRD25FJ2R2T	RES , CARBON	
R5059	CRD20TJ102T	RES , CARBON	
R5101	CRD20TJ471T	RES , CARBON	
R5102	CRD20TJ471T	RES , CARBON	
R5103	CRD20TJ104T	RES , CARBON	
R5104	CRD20TJ104T	RES , CARBON	
R5105	CRD20TJ750T	RES , CARBON	
R5106	CRD20TJ750T	RES , CARBON	
R5107	CRD20TJ750T	RES , CARBON	
R5111	CRD20TJ4R7T	RES , CARBON	
R5112	CRD20TJ4R7T	RES , CARBON	
R5113	CRD20TJ4R7T	RES , CARBON	
R5115	CRD20TJ4R7T	RES , CARBON	
R5220	CRD20TJ4R7T	RES , CARBON	
R5231	CRD20TJ4R7T	RES , CARBON	
R5307	CRD20TJ473T	RES , CARBON	
R5308	CRD20TJ473T	RES , CARBON	
R5311	CRD20TJ473T	RES , CARBON	
R5312	CRD20TJ473T	RES , CARBON	
R5313	CRD20TJ153T	RES , CARBON	
R5314	CRD20TJ153T	RES , CARBON	
R5315	CRD20TJ153T	RES , CARBON	
R5316	CRD20TJ153T	RES , CARBON	

LOAD No.	PARTS No.	DESCRIPTION	SPECIATION
R5409	CRD20TJ473T	RES , CARBON	
R5410	CRD20TJ473T	RES , CARBON	
R5505	CRD20TJ473T	RES , CARBON	
R5506	CRD20TJ473T	RES , CARBON	
R5602	CRD20TJ473T	RES , CARBON	
R5705	CRD20TJ223T	RES , CARBON	
R5706	CRD20TJ472T	RES , CARBON	
R5708	CRD20TJ271T	RES , CARBON	
R5714	CRD20TJ472T	RES , CARBON	
R5715	CRD20TJ102T	RES , CARBON	
R5716	CRD20TJ223T	RES , CARBON	
R5723	CRD20TJ103T	RES , CARBON	
S5001	CST1A012ZT	SW , TACT	
S5003	CST1A012ZT	SW , TACT	
S5005	CST1A012ZT	SW , TACT	
S5006	CST1A012ZT	SW , TACT	
S5007	CST1A012ZT	SW , TACT	
S5008	CST1A012ZT	SW , TACT	
S5009	CST1A012ZT	SW , TACT	
S5010	CST1A012ZT	SW , TACT	
S5011	CST1A012ZT	SW , TACT	
S5012	CST1A012ZT	SW , TACT	
BK501	CMD1A691	BRACKET , FLT	
BK502	CMD1A691	BRACKET , FLT	
BK503	CMD1A569	BRACKET , PCB	
BK504	CMD1A569	BRACKET , PCB	
BK505	CMD1A569	BRACKET , PCB	
BN501	CWB1B00950047001	WIRE ASS'Y (SHIELD,9PIN,2mm,500mm,STRAIGH,#26)	
BN507	CWB1B00710046	WIRE ASS'Y (7PIN,2mm,100mm,ANGLE,#26)	
BN508	CWB1B00310046	WIRE ASS'Y (3PIN,2mm,100mm,STRAIGHT,#26)	
BN512	CWB1B00518066	WIRE ASS'Y (5PIN,2mm,180mm,STRAIGHT,#26)	
BN561	CWB1D01535058	WIRE ASS'Y (15PIN,2.5mm,350mm,STRAIGHT,#22)	
BN562	CJP15GB99ZM	WAFER	
BN562	CJP15GB99ZY	WAFER	
CN492	CJP05GI237ZW	LOCKING TYPE , STRAIGHT WAFER , 2.5MM	
CN494	CJP05GI236ZW	LOCKING TYPE , STRAIGHT WAFER , 2mm	
CN501	CJP21GA202ZY	WAFER , CARDCABLE(21P , 1.25mm , ANGLE)	
CN502	CJP05GB03ZY	WAFER , ANGLE (2.5mm)	
CN507	CJP07GI236ZW	LOCKING TYPE , STRAIGHT WAFER , 2MM	
CN508	CJP03GI236ZW	LOCKING TYPE , STRAIGHT WAFER , 2MM	
CN522	CJP05GI236ZW	LOCKING TYPE , STRAIGHT WAFER , 2mm	
CN550	CJP03GA90ZY	WAFER	
CN551	CJP07GA01ZY	WAFER , STRAIGHT(7PIN)	
CN562	CJP15GA98ZM	WAFER	
CN562	CJP15GA98ZY	WAFER	
CN571	CJP02GA89ZY	WAFER	
CN572	CJP02KA060ZY	WAFER	
C5307	CCEA1EH472E	CAP , ELECT	
C5308	CCEA1EH222E	CAP , ELECT	
C5309	CCEA1CH102E	CAP , ELECT	
C5310	CCEA1CH102E	CAP , ELECT	
C5409	CCEA1CH103E	CAP , ELECT	
C5410	CCEA1EH222E	CAP , ELECT	
C5505	CCEA1CH103E	CAP , ELECT	
C5506	CCEA1CH332E	CAP , ELECT	
C5601	CCEA1CH332E	CAP , ELECT	
C5701	KCKDKS472ME	CAP , CERAMIC(X1/Y2/SC)	
C5703	CCEA1EH102E	CAP , ELECT	
C5713	KCKDKS472ME	CAP , CERAMIC(X1/Y2/SC)	

LOAD No.	PARTS No.	DESCRIPTION	SPECIATION
D5032	CVD50BOBBWGA	L.E.D , 2 COLOR (ORG , BLUE)	
D5304	HVDSB2100	DIODE , SCHOTTKY	
D5305	HVDSB2100	DIODE , SCHOTTKY	
D5404	HVDSB2100	DIODE , SCHOTTKY	
D5405	HVDSB2100	DIODE , SCHOTTKY	
D5501	CMY1A138VA	HEAT SINK ASS'Y	
	HVDGBJ806	DIODE , BRIDGE	
D5601	HVD2A04H	DIODE , RECT(2A)	
D5602	HVD2A04H	DIODE , RECT(2A)	
D5710	HVD1N5819T	DIODE , SCHOTTKY	
FIP51	CFLHCA16S201T	V.F.D	
IC501	HVITC74VHCT08FT	IC , AND-GATE	
IC522	HVITC74VHCT08FT	IC , AND-GATE	
IC537	CVIKIA278R12PIGA	I.C HEATSINK ASS'Y (CMY3A025)	
	CMY3A025	HEAT SINK	
	HVIKIA278R12PI	REGULATOR(12V OUTPUT LOW DROP)	
IC538	CVIKIA7912APICA	I.C HEAT SINK ASS'Y(CMY4A025)	
	CMY4A025	HEAT SINK	
	HVIKIA7912PI	I.C , REGULATOR	
IC576	CVIKIA78DL05PI	I.C , REGULATOR(250mA, TO220IS-3)	
JK501	CJJ4S047Z	JACK , RCA (3P , W/R/Y , GOLD PLATE)	
JK502	CJJ9M004Z	JACK , S-VHS	
JK521	CJJ2E020Z	JACK	
JK522	HJSTORX177L	MODULE , OPTICAL(RX)	
JW501	CWE8102150RV	WIRE ASS'Y	
JW503	CWE8102080RV	WIRE(1P)	
JW521	CWE8102080RV	WIRE(1P)	
JW551	CWE8202120AA	WIRE , 1P BLACK(120MM)	
OL570	CJJ7A012Z	JACK , AC OUTLET	ONLY AH VERSION
OL571	CJJ7A021Z	JACK , AC OUTLET	ONLY C VERSION
RC501	CRVKSM603TM2M	SENSOR , REMOCON(H=5.2MM)	
RY571	HSL1A008ZE	RELAY	
R5304	KRQ1AJR15H	RES , FUSE	
R5305	KRQ1AJR15H	RES , FUSE	
R5405	KRQ1AJR15H	RES , FUSE	
R5406	KRQ1AJR15H	RES , FUSE	
R5707	CRG1ANJ100H	RES , METAL OXIDE FILM	
T5701	CLT5J033ZU	TRANS , SUB	
	CLT5J033YE	TRANS , SUB	ONLY AH VERSION
VR502	CSR2A036Z	ENCODER VR	ONLY C VERSION
	<b>CUP12117W</b>	<b>PCB , MCU &amp; DSP T747 (253X160 , FR4/2 LAYER)</b>	
C2002	CCUS1H104KC	CAP , CHIP	
C2004	CCUS1H180JA	CAP , CHIP(18PF/50V)	
C2005	CCUS1H180JA	CAP , CHIP(18PF/50V)	
C2007	CCUS1H104KC	CAP , CHIP	
C2012	CCUS1H104KC	CAP , CHIP	
C2013	CCUS1H101JA	CAP , CHIP	
C2014	CCUS1H101JA	CAP , CHIP	
C2015	CCUS1H101JA	CAP , CHIP	
C2016	CCUS1H101JA	CAP , CHIP	
C2017	CCUS1H101JA	CAP , CHIP	
C2021	CCUS1H104KC	CAP , CHIP	
C2025	CCUS1H104KC	CAP , CHIP	
C2030	CCUS1H104KC	CAP , CHIP	
C2041	CCUS1H104KC	CAP , CHIP	
C2042	CCUS1H101JA	CAP , CHIP	
C2043	CCUS1H104KC	CAP , CHIP	
C2046	CCUS1H104KC	CAP , CHIP	
C2051	CCUS1H101JA	CAP , CHIP	

LOAD No.	PARTS No.	DESCRIPTION	SPECIFICATION
C2052	CCUS1H101JA	CAP , CHIP	
C2053	CCUS1H101JA	CAP , CHIP	
C2054	CCUS1H101JA	CAP , CHIP	
C2055	CCUS1H220JA	CAP , CHIP	
C2056	CCUS1H220JA	CAP , CHIP	
C2059	CCUS1H101JA	CAP , CHIP	
C2060	CCUS1H104KC	CAP , CHIP	
C2061	CCUS1H104KC	CAP , CHIP	
C2071	CCUS1H101JA	CAP , CHIP	
C2072	CCUS1H101JA	CAP , CHIP	
C2074	CCUS1H101JA	CAP , CHIP	
C2075	CCUS1H220JA	CAP , CHIP	
C2076	CCUS1H220JA	CAP , CHIP	
C2079	CCUS1H104KC	CAP , CHIP	
C2080	CCUS1H101JA	CAP , CHIP	
C2081	CCUS1H101JA	CAP , CHIP	
C2082	CCUS1H101JA	CAP , CHIP	
C2088	CCUS1H104KC	CAP , CHIP	
C2094	CCUS1H104KC	CAP , CHIP	
C2102	CCUS1H104KC	CAP , CHIP	
C2104	CCUS1H104KC	CAP , CHIP	
C2414	CCUS1H104KC	CAP , CHIP	
C2426	CCUS1H180JA	CAP , CHIP(18PF/50V)	
C2427	CCUS1H150JA	CAP , CHIP(15PF/50V)	
C2429	CCUS1H103KC	CAP , CHIP	
C2430	CCUS1A105KC	CAP , CHIP	
C2441	CCUS1H104KC	CAP , CHIP	
C2451	CCUS1H104KC	CAP , CHIP	
C2452	CCUS1H104KC	CAP , CHIP	
C2453	CCUS1H104KC	CAP , CHIP	
C2454	CCUS1H104KC	CAP , CHIP	
C2456	CCUS1H104KC	CAP , CHIP	
C2457	CCUS1H104KC	CAP , CHIP	
C2502	CCUS1H104KC	CAP , CHIP	
C2504	CCUS1H104KC	CAP , CHIP	
C2506	CCUS1H104KC	CAP , CHIP	
C2515	CCUS1H104KC	CAP , CHIP	
C2517	CCUS1H104KC	CAP , CHIP	
C2521	CCUS1H104KC	CAP , CHIP	
C2523	CCUS1H104KC	CAP , CHIP	
C2525	CCUS1H104KC	CAP , CHIP	
C2527	CCUS1H104KC	CAP , CHIP	
C2529	CCUS1H104KC	CAP , CHIP	
C2531	CCUS1H104KC	CAP , CHIP	
C2533	CCUS1H104KC	CAP , CHIP	
C2535	CCUS1H104KC	CAP , CHIP	
C2541	CCUS1H104KC	CAP , CHIP	
C2543	CCUS1H104KC	CAP , CHIP	
C2545	CCUS1H104KC	CAP , CHIP	
C2547	CCUS1H104KC	CAP , CHIP	
C2549	CCUS1H104KC	CAP , CHIP	
C2551	CCUS1H104KC	CAP , CHIP	
C2553	CCUS1H104KC	CAP , CHIP	
C2555	CCUS1H104KC	CAP , CHIP	
C2591	CCUS1H104KC	CAP , CHIP	
C2592	CCUS1H104KC	CAP , CHIP	
C2593	CCUS1H104KC	CAP , CHIP	
C2594	CCUS1H104KC	CAP , CHIP	
C2595	CCUS1H104KC	CAP , CHIP	

LOAD No.	PARTS No.	DESCRIPTION	SPECIFICATION
C2596	CCUS1H104KC	CAP , CHIP	
C2597	CCUS1H104KC	CAP , CHIP	
C2807	CCUS1H104KC	CAP , CHIP	
C2808	CCUS1H104KC	CAP , CHIP	
C2809	CCUS1H102KC	CAP , CHIP	
C2810	CCUS1H104KC	CAP , CHIP	
C2813	CCUS1H104KC	CAP , CHIP	
C2816	CCUS1H104KC	CAP , CHIP	
C2818	CCUS1H104KC	CAP , CHIP	
C2820	CCUS1H102KC	CAP , CHIP	
C2821	CCUS1H223KC	CAP , CHIP	
C2822	CCUS1H104KC	CAP , CHIP	
C2824	CCUS1H103KC	CAP , CHIP	
C2825	CRJ10DJ0R0T	RES , CHIP	
C2826	CRJ10DJ0R0T	RES , CHIP	
C2827	CRJ10DJ0R0T	RES , CHIP	
C2830	CCUS1H104KC	CAP , CHIP	
C2831	CCUS1H104KC	CAP , CHIP	
C2832	CLZ9R005Z	FERRITE , CHIP BEAD(60ohm, 1608)	
C2840	CCUS1H473KC	CAP , CHIP	
C2851	CCUS1H101JA	CAP , CHIP	
C2852	CCUS1H104KC	CAP , CHIP	
C2854	CCUS1H181JA	CAP , CHIP	
C2856	CCUS1H104KC	CAP , CHIP	
C2858	CCUS1H181JA	CAP , CHIP	
C2859	CCUS1H104KC	CAP , CHIP	
C2901	CCUS1H152KC	CAP , CHIP	
C2902	CCUS1H152KC	CAP , CHIP	
C2903	CCUS1H152KC	CAP , CHIP	
C2904	CCUS1H152KC	CAP , CHIP	
C2905	CCUS1H102KC	CAP , CHIP	
C2906	CCUS1H102KC	CAP , CHIP	
C2907	CCUS1H102KC	CAP , CHIP	
C2908	CCUS1H102KC	CAP , CHIP	
C2909	CCUS1H561JA	CAP , CHIP	
C2910	CCUS1H561JA	CAP , CHIP	
C2911	CCUS1H182KC	CAP , CHIP(1800PF/50V/1608/X7R)	
C2912	CCUS1H182KC	CAP , CHIP(1800PF/50V/1608/X7R)	
C2915	CCUS1H561JA	CAP , CHIP	
C2916	CCUS1H561JA	CAP , CHIP	
C2917	CCUS1H104KC	CAP , CHIP	
C2918	CCUS1H104KC	CAP , CHIP	
C2921	CCUS1H152KC	CAP , CHIP	
C2922	CCUS1H152KC	CAP , CHIP	
C2925	CCUS1H102KC	CAP , CHIP	
C2926	CCUS1H102KC	CAP , CHIP	
C2927	CCUS1H102KC	CAP , CHIP	
C2928	CCUS1H102KC	CAP , CHIP	
C2929	CCUS1H561JA	CAP , CHIP	
C2930	CCUS1H561JA	CAP , CHIP	
C2931	CCUS1H182KC	CAP , CHIP(1800PF/50V/1608/X7R)	
C2932	CCUS1H182KC	CAP , CHIP(1800PF/50V/1608/X7R)	
C2935	CCUS1H561JA	CAP , CHIP	
C2936	CCUS1H561JA	CAP , CHIP	
C2937	CCUS1H104KC	CAP , CHIP	
C2938	CCUS1H104KC	CAP , CHIP	
C2951	CCUS1H152KC	CAP , CHIP	
C2952	CCUS1H152KC	CAP , CHIP	
C2955	CCUS1H102KC	CAP , CHIP	

LOAD No.	PARTS No.	DESCRIPTION	SPECIFICATION
C2956	CCUS1H102KC	CAP , CHIP	
C2957	CCUS1H102KC	CAP , CHIP	
C2958	CCUS1H102KC	CAP , CHIP	
C2959	CCUS1H561JA	CAP , CHIP	
C2960	CCUS1H561JA	CAP , CHIP	
C2961	CCUS1H182KC	CAP , CHIP(1800PF/50V/1608/X7R)	
C2962	CCUS1H182KC	CAP , CHIP(1800PF/50V/1608/X7R)	
C2965	CCUS1H561JA	CAP , CHIP	
C2966	CCUS1H561JA	CAP , CHIP	
C2967	CCUS1H104KC	CAP , CHIP	
C2968	CCUS1H104KC	CAP , CHIP	
C2971	CCUS1H152KC	CAP , CHIP	
C2972	CCUS1H152KC	CAP , CHIP	
C2975	CCUS1H102KC	CAP , CHIP	
C2976	CCUS1H102KC	CAP , CHIP	
C2977	CCUS1H102KC	CAP , CHIP	
C2978	CCUS1H102KC	CAP , CHIP	
C2979	CCUS1H561JA	CAP , CHIP	
C2980	CCUS1H561JA	CAP , CHIP	
C2981	CCUS1H182KC	CAP , CHIP(1800PF/50V/1608/X7R)	
C2982	CCUS1H182KC	CAP , CHIP(1800PF/50V/1608/X7R)	
C2985	CCUS1H561JA	CAP , CHIP	
C2986	CCUS1H561JA	CAP , CHIP	
C2987	CCUS1H104KC	CAP , CHIP	
C2988	CCUS1H104KC	CAP , CHIP	
D2011	CVD1SS355T	DIODE , CHIP	
D2511	HVD1SR159-200	DIODE , RECTIFIER	
D2512	HVD1SR159-200	DIODE , RECTIFIER	
IC201	CVIANAM1422AT	I.C , U-COM T737 (T5CC1/TOSHIBA)	
IC201	CVIT5CC1	I.C , FLASH U-COM	
IC202	CVIM24C32WMN6TP	I.C , EEPROM (32 Kbit)	
IC203	HVIRH5VT18C	I.C , RESET	
IC204	HVITC74HCT7007F	I.C	
IC205	CVIXR20M1170IG16	I.C , I2C/SPI UART((16 PIN TSSOP)	
IC206	CVIXR20M1170IG16	I.C , I2C/SPI UART((16 PIN TSSOP)	
IC207	HVI74LCX08MX	I.C , AND GATE(QUAD/2IN L/V)	
IC208	HVI74LCX08MX	I.C , AND GATE(QUAD/2IN L/V)	
IC210	CVIKIA1117S33	I.C , REGULATOR(SOT-223)	
IC240	CVICS497004CQZ	I.C , DSP	
IC250	CVIST25VF080B504CS2	I.C , 8 Mbit SPI Serial Flash	
IC251	HVINJM2391DL133	I.C , CHIP REGULATOR (+3.3V)	
IC252	CVIKIA1117S18	I.C , REGULATOR(SOT-223)	
IC260	CVIM12L16161A5TG	I.C , 16MB SDRAM	
IC280	HVICS42528-CQ	I.C , CODEC + DIR	
IC281	HVI74HCU04AFNG	I.C , INVERTER	
IC291	HVINJM2068MDTE1	I.C , OP AMP	
IC292	HVINJM2068MDTE1	I.C , OP AMP	
IC293	HVINJM2068MDTE1	I.C , OP AMP	
IC294	HVINJM2068MDTE1	I.C , OP AMP	
L2101	CLZ9R005Z	FERRITE , CHIP BEAD(60ohm, 1608)	
L2431	CLZ9R005Z	FERRITE , CHIP BEAD(60ohm, 1608)	
L2501	CLZ9Z014Z	FERRITE , CHIP BEAD(60ohm, 4516)	
L2507	CLZ9Z014Z	FERRITE , CHIP BEAD(60ohm, 4516)	
L2513	CLZ9Z014Z	FERRITE , CHIP BEAD(60ohm, 4516)	
Q2008	HVTKRC102S	T.R , CHIP	
Q2011	HVTKRA102S	T.R , CHIP	
Q2025	HVTKRC102S	T.R , CHIP	
Q2028	HVTKRC102S	T.R , CHIP	
Q2107	HVTKRA102S	T.R , CHIP	

LOAD No.	PARTS No.	DESCRIPTION	SPECIATION
Q2108	HVTKRC102S	T.R , CHIP	
RN201	CRJ104DJ103T	RES, ARRAY, 10K (1608)	
RN202	CRJ104DJ103T	RES, ARRAY, 10K (1608)	
RN211	CRJ104DJ101T	RES , CHIP NETWORK(1/16W, 100ohm, 1608X4)	
RN212	CRJ104DJ101T	RES , CHIP NETWORK(1/16W, 100ohm, 1608X4)	
RN213	CRJ104DJ101T	RES , CHIP NETWORK(1/16W, 100ohm, 1608X4)	
RN214	CRJ104DJ101T	RES , CHIP NETWORK(1/16W, 100ohm, 1608X4)	
RN215	CRJ104DJ101T	RES , CHIP NETWORK(1/16W, 100ohm, 1608X4)	
RN216	CRJ104DJ103T	RES, ARRAY, 10K (1608)	
RN217	CRJ104DJ103T	RES, ARRAY, 10K (1608)	
RN241	CRJ104DJ103T	RES, ARRAY, 10K (1608)	
RN243	CRJ104DJ101T	RES , CHIP NETWORK(1/16W, 100ohm, 1608X4)	
RN244	CRJ104DJ330T	RES , 4ARRAY (1608*4)	
RN245	CRJ104DJ330T	RES , 4ARRAY (1608*4)	
RN246	CRJ104DJ330T	RES , 4ARRAY (1608*4)	
RN247	CRJ104DJ330T	RES , 4ARRAY (1608*4)	
RN248	CRJ104DJ330T	RES , 4ARRAY (1608*4)	
RN249	CRJ104DJ330T	RES , 4ARRAY (1608*4)	
RN250	CRJ104DJ330T	RES , 4ARRAY (1608*4)	
RN251	CRJ104DJ330T	RES , 4ARRAY (1608*4)	
RN252	CRJ104DJ330T	RES , 4ARRAY (1608*4)	
RN253	CRJ104DJ330T	RES , 4ARRAY (1608*4)	
RN254	CRJ104DJ103T	RES, ARRAY, 10K (1608)	
RN255	CRJ104DJ103T	RES, ARRAY, 10K (1608)	
RN256	CRJ104DJ103T	RES, ARRAY, 10K (1608)	
RN257	CRJ104DJ330T	RES , 4ARRAY (1608*4)	
RN258	CRJ104DJ330T	RES , 4ARRAY (1608*4)	
R2001	CRJ10DJ103T	RES , CHIP	
R2003	CRJ10DJ471T	RES , CHIP	
R2007	CRJ10DJ102T	RES , CHIP	
R2008	CRJ10DJ103T	RES , CHIP	
R2009	CRJ10DJ153T	RES , CHIP	
R2012	CRJ10DJ101T	RES , CHIP	
R2013	CRJ10DJ101T	RES , CHIP	
R2014	CRJ10DJ101T	RES , CHIP	
R2015	CRJ10DJ101T	RES , CHIP	
R2016	CRJ10DJ101T	RES , CHIP	
R2017	CRJ10DJ101T	RES , CHIP	
R2019	CRJ10DJ103T	RES , CHIP	
R2022	CRJ10DJ272T	RES , CHIP	
R2023	CRJ10DJ272T	RES , CHIP	
R2024	CRJ10DJ473T	RES , CHIP	
R2025	CRJ10DJ103T	RES , CHIP	
R2027	CRJ10DJ103T	RES , CHIP	
R2028	CRJ10DJ103T	RES , CHIP	
R2031	CRJ10DJ103T	RES , CHIP	
R2032	CRJ10DJ103T	RES , CHIP	
R2035	CRJ10DJ0R0T	RES , CHIP	
R2038	CRJ10DJ0R0T	RES , CHIP	
R2039	CRJ10DJ0R0T	RES , CHIP	
R2041	CRJ10DJ103T	RES , CHIP	
R2042	CRJ10DJ101T	RES , CHIP	
R2046	CRJ10DJ4R7T	RES , CHIP	
R2047	CRJ10DJ0R0T	RES , CHIP	
R2048	CRJ10DJ0R0T	RES , CHIP	
R2050	CRJ10DJ0R0T	RES , CHIP	
R2051	CRJ10DJ101T	RES , CHIP	
R2052	CRJ10DJ101T	RES , CHIP	
R2053	CRJ10DJ101T	RES , CHIP	

LOAD No.	PARTS No.	DESCRIPTION	SPECIATION
R2054	CRJ10DJ101T	RES , CHIP	
R2055	CRJ10DJ105T	RES , CHIP	
R2056	CRJ10DJ471T	RES , CHIP	
R2057	CRJ10DJ103T	RES , CHIP	
R2058	CRJ10DJ103T	RES , CHIP	
R2059	CRJ10DJ101T	RES , CHIP	
R2060	CRJ10DJ101T	RES , CHIP	
R2061	CRJ10DJ4R7T	RES , CHIP	
R2071	CRJ10DJ101T	RES , CHIP	
R2072	CRJ10DJ101T	RES , CHIP	
R2073	CRJ10DJ101T	RES , CHIP	
R2074	CRJ10DJ102T	RES , CHIP	
R2075	CRJ10DJ105T	RES , CHIP	
R2076	CRJ10DJ471T	RES , CHIP	
R2077	CRJ10DJ103T	RES , CHIP	
R2078	CRJ10DJ103T	RES , CHIP	
R2079	CRJ10DJ4R7T	RES , CHIP	
R2080	CRJ10DJ101T	RES , CHIP	
R2081	CRJ10DJ101T	RES , CHIP	
R2082	CRJ10DJ101T	RES , CHIP	
R2084	CRJ10DJ101T	RES , CHIP	
R2085	CRJ10DJ101T	RES , CHIP	
R2086	CRJ10DJ153T	RES , CHIP	
R2087	CRJ10DJ101T	RES , CHIP	
R2088	CRJ10DJ4R7T	RES , CHIP	
R2089	CRJ10DJ101T	RES , CHIP	
R2091	CRJ10DJ102T	RES , CHIP	
R2092	CRJ10DJ102T	RES , CHIP	
R2093	CRJ10DJ102T	RES , CHIP	
R2094	CRJ10DJ4R7T	RES , CHIP	
R2096	CRJ10DJ0R0T	RES , CHIP	
R2106	CRJ10DJ4R7T	RES , CHIP	
R2108	CRJ10DJ103T	RES , CHIP	
R2122	CRJ10DJ101T	RES , CHIP	
R2123	CRJ10DJ101T	RES , CHIP	
R2134	CRJ10DJ101T	RES , CHIP	
R2135	CRJ10DJ101T	RES , CHIP	
R2136	CRJ10DJ101T	RES , CHIP	
R2137	CRJ10DJ101T	RES , CHIP	
R2139	CRJ10DJ0R0T	RES , CHIP	
R2141	CRJ10DJ0R0T	RES , CHIP	
R2142	CRJ10DJ0R0T	RES , CHIP	
R2401	CRJ10DJ103T	RES , CHIP	
R2402	CRJ10DJ101T	RES , CHIP	
R2403	CRJ10DJ330T	RES , CHIP	
R2404	CRJ10DJ330T	RES , CHIP	
R2405	CRJ10DJ103T	RES , CHIP	
R2406	CRJ10DJ103T	RES , CHIP	
R2407	CRJ10DJ330T	RES , CHIP	
R2408	CRJ10DJ330T	RES , CHIP	
R2409	CRJ10DJ330T	RES , CHIP	
R2412	CRJ10DJ330T	RES , CHIP	
R2413	CRJ10DJ103T	RES , CHIP	
R2414	CRJ10DJ101T	RES , CHIP	
R2415	CRJ10DJ103T	RES , CHIP	
R2416	CRJ10DJ332T	RES , CHIP	
R2417	CRJ10DJ332T	RES , CHIP	
R2418	CRJ10DJ332T	RES , CHIP	
R2419	CRJ10DJ332T	RES , CHIP	



LOAD No.	PARTS No.	DESCRIPTION	SPECIATION
R2420	CRJ10DJ332T	RES , CHIP	ONLY C VERSION
R2421	CRJ10DJ332T	RES , CHIP	
R2423	CRJ10DJ103T	RES , CHIP	
R2424	CRJ10DJ103T	RES , CHIP	
R2425	CRJ10DJ471T	RES , CHIP	
R2426	CRJ10DJ105T	RES , CHIP	
R2433	CRJ10DJ0R0T	RES , CHIP	
R2434	CRJ10DF5101T	RES. CHIP (5.1K 1%)	
R2435	CRJ10DJ330T	RES , CHIP	
R2436	CRJ10DJ103T	RES , CHIP	
R2437	CRJ10DJ103T	RES , CHIP	
R2441	CRJ10DJ103T	RES , CHIP	
R2442	CRJ10DJ103T	RES , CHIP	
R2562	CRJ10DJ102T	RES , CHIP	
R2591	CRJ10DJ4R7T	RES , CHIP	
R2592	CRJ10DJ4R7T	RES , CHIP	
R2593	CRJ10DJ4R7T	RES , CHIP	
R2594	CRJ10DJ4R7T	RES , CHIP	
R2595	CRJ10DJ4R7T	RES , CHIP	
R2596	CRJ10DJ4R7T	RES , CHIP	
R2597	CRJ10DJ4R7T	RES , CHIP	
R2801	CRJ10DJ103T	RES , CHIP	
R2803	CRJ10DJ103T	RES , CHIP	
R2804	CRJ10DJ103T	RES , CHIP	
R2805	CRJ10DJ0R0T	RES , CHIP	
R2806	CRJ10DJ0R0T	RES , CHIP	
R2809	CRJ10DJ102T	RES , CHIP	
R2810	CRJ10DJ101T	RES , CHIP	
R2817	CRJ10DJ104T	RES , CHIP	
R2819	CRJ10DJ0R0T	RES , CHIP	
R2820	CRJ10DJ332T	RES , CHIP	
R2822	CRJ10DJ0R0T	RES , CHIP	
R2828	CRJ10DJ100T	RES , CHIP	
R2829	CRJ10DJ0R0T	RES , CHIP	
R2832	CRJ10DJ560T	RES , CHIP	
R2833	CRJ10DJ101T	RES , CHIP	
R2834	CRJ10DJ102T	RES , CHIP	
R2835	CRJ10DJ102T	RES , CHIP	
R2836	CRJ10DJ101T	RES , CHIP	
R2841	CRJ10DJ0R0T	RES , CHIP	
R2843	CRJ10DJ330T	RES , CHIP	
R2844	CRJ10DJ104T	RES , CHIP	
R2846	CRJ10DJ472T	RES , CHIP	
R2847	CRJ10DJ104T	RES , CHIP	
R2848	CRJ10DJ472T	RES , CHIP	
R2849	CRJ10DJ101T	RES , CHIP	
R2850	CRJ10DJ101T	RES , CHIP	
R2851	CRJ10DJ100T	RES , CHIP	
R2852	CRJ10DJ241T	RES , CHIP	
R2853	CRJ10DJ750T	RES , CHIP	
R2854	CRJ10DJ750T	RES , CHIP	
R2858	CRJ10DJ750T	RES , CHIP	
R2861	CRJ10DJ103T	RES , CHIP	
R2862	CRJ10DJ103T	RES , CHIP	
R2863	CRJ10DJ103T	RES , CHIP	
R2901	CRJ10DJ122T	RES , CHIP	
R2902	CRJ10DJ122T	RES , CHIP	
R2903	CRJ10DJ122T	RES , CHIP	
R2904	CRJ10DJ122T	RES , CHIP	

LOAD No.	PARTS No.	DESCRIPTION	SPECIATION
R2905	CRJ10DJ152T	RES , CHIP	
R2906	CRJ10DJ152T	RES , CHIP	
R2907	CRJ10DJ152T	RES , CHIP	
R2908	CRJ10DJ152T	RES , CHIP	
R2909	CRJ10DJ122T	RES , CHIP	
R2910	CRJ10DJ122T	RES , CHIP	
R2911	CRJ10DJ512T	RES , CHIP	
R2912	CRJ10DJ512T	RES , CHIP	
R2913	CRJ10DJ512T	RES , CHIP	
R2914	CRJ10DJ512T	RES , CHIP	
R2915	CRJ10DJ122T	RES , CHIP	
R2916	CRJ10DJ122T	RES , CHIP	
R2918	CRJ10DJ104T	RES , CHIP	
R2921	CRJ10DJ122T	RES , CHIP	
R2922	CRJ10DJ122T	RES , CHIP	
R2923	CRJ10DJ122T	RES , CHIP	
R2924	CRJ10DJ122T	RES , CHIP	
R2925	CRJ10DJ152T	RES , CHIP	
R2926	CRJ10DJ152T	RES , CHIP	
R2927	CRJ10DJ152T	RES , CHIP	
R2928	CRJ10DJ152T	RES , CHIP	
R2929	CRJ10DJ122T	RES , CHIP	
R2930	CRJ10DJ122T	RES , CHIP	
R2931	CRJ10DJ512T	RES , CHIP	
R2932	CRJ10DJ103T	RES , CHIP	
R2933	CRJ10DJ512T	RES , CHIP	
R2934	CRJ10DJ103T	RES , CHIP	
R2935	CRJ10DJ122T	RES , CHIP	
R2936	CRJ10DJ122T	RES , CHIP	
R2937	CRJ10DJ104T	RES , CHIP	
R2938	CRJ10DJ104T	RES , CHIP	
R2951	CRJ10DJ122T	RES , CHIP	
R2952	CRJ10DJ122T	RES , CHIP	
R2953	CRJ10DJ122T	RES , CHIP	
R2954	CRJ10DJ122T	RES , CHIP	
R2955	CRJ10DJ152T	RES , CHIP	
R2956	CRJ10DJ152T	RES , CHIP	
R2957	CRJ10DJ152T	RES , CHIP	
R2958	CRJ10DJ152T	RES , CHIP	
R2959	CRJ10DJ122T	RES , CHIP	
R2960	CRJ10DJ122T	RES , CHIP	
R2961	CRJ10DJ512T	RES , CHIP	
R2962	CRJ10DJ512T	RES , CHIP	
R2963	CRJ10DJ512T	RES , CHIP	
R2964	CRJ10DJ512T	RES , CHIP	
R2965	CRJ10DJ122T	RES , CHIP	
R2966	CRJ10DJ122T	RES , CHIP	
R2967	CRJ10DJ104T	RES , CHIP	
R2968	CRJ10DJ104T	RES , CHIP	
R2971	CRJ10DJ122T	RES , CHIP	
R2972	CRJ10DJ122T	RES , CHIP	
R2973	CRJ10DJ122T	RES , CHIP	
R2974	CRJ10DJ122T	RES , CHIP	
R2975	CRJ10DJ152T	RES , CHIP	
R2976	CRJ10DJ152T	RES , CHIP	
R2977	CRJ10DJ152T	RES , CHIP	
R2978	CRJ10DJ152T	RES , CHIP	
R2979	CRJ10DJ122T	RES , CHIP	
R2980	CRJ10DJ122T	RES , CHIP	

LOAD No.	PARTS No.	DESCRIPTION	SPECIATION
R2981	CRJ10DJ512T	RES , CHIP	
R2982	CRJ10DJ512T	RES , CHIP	
R2983	CRJ10DJ512T	RES , CHIP	
R2984	CRJ10DJ512T	RES , CHIP	
R2985	CRJ10DJ122T	RES , CHIP	
R2986	CRJ10DJ122T	RES , CHIP	
R2987	CRJ10DJ104T	RES , CHIP	
R2988	CRJ10DJ104T	RES , CHIP	
R2995	CRJ10DJ0R0T	RES , CHIP	
X2003	HOX27000E180S	CRYSTAL , CHIP(27MHZ,SMD)	
X2055	COX24000E200S	CRYSTAL , CHIP(24MHZ, HC-49/SMD)	
X2075	COX24000E200S	CRYSTAL , CHIP(24MHZ, HC-49/SMD)	
C2103	CCEA1CH101T	CAP , ELECT	
C2105	CCEA1CH101T	CAP , ELECT	
C2125	CCEA1CKS101T	CAP , ELECT	
C2126	CCEA1CKS101T	CAP , ELECT	
C2127	CCEA1CKS101T	CAP , ELECT	
C2128	CCEA1CKS101T	CAP , ELECT	
C2431	CCEA1CH101T	CAP , ELECT	
C2501	CCEA0JH102T	CAP , ELECT	
C2503	CCEA0JH102T	CAP , ELECT	
C2514	CCEA1AH471T	CAP , ELECT	
C2516	CCEA1CH101T	CAP , ELECT	
C2522	CCEA1CH101T	CAP , ELECT	
C2524	CCEA1CH101T	CAP , ELECT	
C2526	CCEA1CH101T	CAP , ELECT	
C2528	CCEA1CH101T	CAP , ELECT	
C2530	CCEA1CH101T	CAP , ELECT	
C2534	CCEA1CKS101T	CAP , ELECT	
C2536	CCEA1CH101T	CAP , ELECT	
C2542	CCEA1CKS101T	CAP , ELECT	
C2544	CCEA1CKS101T	CAP , ELECT	
C2546	CCEA1CKS101T	CAP , ELECT	
C2548	CCEA1CH101T	CAP , ELECT	
C2550	CCEA1CKS101T	CAP , ELECT	
C2552	CCEA1CKS101T	CAP , ELECT	
C2554	CCEA1CH101T	CAP , ELECT	
C2556	CCEA1CH101T	CAP , ELECT	
C2805	CCEA1CH101T	CAP , ELECT	
C2806	CCEA1CH101T	CAP , ELECT	
C2811	CCEA1HKS4R7T	CAP , ELECT	
C2812	CCEA1HKS4R7T	CAP , ELECT	
C2814	CCEA1HKS4R7T	CAP , ELECT	
C2817	CCEA1CKS101T	CAP , ELECT	
C2819	CCEA1AH471T	CAP , ELECT	
C2823	CCEA1CH101T	CAP , ELECT	
C2828	CCEA1CH101T	CAP , ELECT	
C2829	CCEA1CH101T	CAP , ELECT	
C2841	CCEA1AH471T	CAP , ELECT	
C2861	CCEA1CH101T	CAP , ELECT	
C2862	CCEA1CH101T	CAP , ELECT	
C2863	CCEA1CH101T	CAP , ELECT	
C2913	CCEA1HKS100T	CAP , ELECT	
C2914	CCEA1HKS100T	CAP , ELECT	
C2933	CCEA1HKS100T	CAP , ELECT	
C2934	CCEA1HKS100T	CAP , ELECT	
C2963	CCEA1HKS100T	CAP , ELECT	
C2964	CCEA1HKS100T	CAP , ELECT	
C2983	CCEA1HKS100T	CAP , ELECT	

LOAD No.	PARTS No.	DESCRIPTION	SPECIATION
C2984	CCEA1HKS100T	CAP , ELECT	
BN490	CJP15GB99ZM	WAFER	
BN490	CJP15GB99ZY	WAFER	
BN491	CJP05GB99ZY	WAFER ANGLE	
BN491	CJP07GB99ZM	WAFER , ANGLE (2MM,7PIN)	
CN144	CJP15GA98ZY	WAFER	
CN301	CJP15GA98ZY	WAFER	
CN302	CJP15GA98ZY	WAFER	
CN303	CJP15GA98ZY	WAFER	
CN501	CJP21GA202ZY	WAFER , CARD CABLE(21P , 1.25mm , ANGLE)	
C2101	CCEA0JKR3222E	CAP , ELECT	
JK241	CJJ4M044Z	JACK , BOARD	
JK242	HJSTORX177L	MODULE , OPTICAL(RX)	
JK243	HJSTORX177L	MODULE , OPTICAL(RX)	
JK244	HJSTOTX177L	MODULE , OPTICAL(TX)	
SW202	HSH2B018Z	SW , PUSH	
X2427	COX24576E180TF	CRYSTAL , 24.576MHz	
	<b>CUP12118Y</b>	<b>PCB , INPUT T747AH (300X194,FR4/2)</b>	
C3001	CCUS1H221JA	CAP , CHIP	
C3002	CCUS1H221JA	CAP , CHIP	
C3003	CCUS1H221JA	CAP , CHIP	
C3004	CCUS1H221JA	CAP , CHIP	
C3005	CCUS1H221JA	CAP , CHIP	
C3006	CCUS1H221JA	CAP , CHIP	
C3007	CCUS1H221JA	CAP , CHIP	
C3008	CCUS1H221JA	CAP , CHIP	
C3009	CCUS1H221JA	CAP , CHIP	
C3010	CCUS1H221JA	CAP , CHIP	
C3013	CCUS1H221JA	CAP , CHIP	
C3014	CCUS1H221JA	CAP , CHIP	
C3015	CCUS1H221JA	CAP , CHIP	
C3016	CCUS1H221JA	CAP , CHIP	
C3017	CCUS1H221JA	CAP , CHIP	
C3018	CCUS1H221JA	CAP , CHIP	
C3019	CCUS1H221JA	CAP , CHIP	
C3020	CCUS1H221JA	CAP , CHIP	
C3021	CCUS1H221JA	CAP , CHIP	
C3022	CCUS1H221JA	CAP , CHIP	
C3023	CCUS1H221JA	CAP , CHIP	
C3024	CCUS1H221JA	CAP , CHIP	
C3025	CCUS1H221JA	CAP , CHIP	
C3026	CCUS1H221JA	CAP , CHIP	
C3103	CCUS1H223KC	CAP , CHIP	
C3104	CCUS1H103KC	CAP , CHIP	
C3106	CCUS1H223KC	CAP , CHIP	
C3113	CCUS1H221JA	CAP , CHIP	
C3323	CCUS1H473KC	CAP , CHIP	
C3324	CCUS1H473KC	CAP , CHIP	
C3332	CCUS1H104KC	CAP , CHIP	
C3333	CCUS1H470JA	CAP , CHIP	
C3334	CCUS1H470JA	CAP , CHIP	
C3335	CCUS1H470JA	CAP , CHIP	
C3401	CCUS1H102KC	CAP , CHIP	ONLY AH VERSION
C3402	CCUS1H104KC	CAP , CHIP	ONLY AH VERSION
C3403	CCUS1H104KC	CAP , CHIP	ONLY AH VERSION
C3404	CCUS1H104KC	CAP , CHIP	ONLY AH VERSION
C3406	CCUS1H104KC	CAP , CHIP	ONLY AH VERSION
C3407	CCUS1H104KC	CAP , CHIP	ONLY AH VERSION
C3408	CCUS1H181JA	CAP , CHIP	ONLY AH VERSION

LOAD No.	PARTS No.	DESCRIPTION	SPECIFICATION
C3409	CCUS1H104KC	CAP , CHIP	ONLY AH VERSION
C3410	CCUS1H104KC	CAP , CHIP	ONLY AH VERSION
C3411	CCUS1H180JA	CAP , CHIP(18PF/50V)	ONLY AH VERSION
C3412	CCUS1H180JA	CAP , CHIP(18PF/50V)	ONLY AH VERSION
C3413	CCUS1H102KC	CAP , CHIP	ONLY AH VERSION
C3414	CCUS1H104KC	CAP , CHIP	ONLY AH VERSION
C3415	CCUS1H104KC	CAP , CHIP	ONLY AH VERSION
C3416	CCUS1H102KC	CAP , CHIP	ONLY AH VERSION
C3417	CCUS1H102KC	CAP , CHIP	ONLY AH VERSION
C3419	CCUS1H104KC	CAP , CHIP	ONLY AH VERSION
C3420	CCUS1H104KC	CAP , CHIP	ONLY AH VERSION
C3421	CCUS1H104KC	CAP , CHIP	ONLY AH VERSION
C3422	CCUS1H220JA	CAP , CHIP	ONLY AH VERSION
C3423	CCUS1H220JA	CAP , CHIP	ONLY AH VERSION
C3425	CCUS1H104KC	CAP , CHIP	ONLY AH VERSION
C3426	CCUS1H104KC	CAP , CHIP	ONLY AH VERSION
C3428	CCUS1H104KC	CAP , CHIP	ONLY AH VERSION
C3431	CCUS1H104KC	CAP , CHIP	ONLY AH VERSION
C3441	CCUS1H104KC	CAP , CHIP	ONLY AH VERSION
C3445	CCUS1H104KC	CAP , CHIP	ONLY AH VERSION
C3453	CCUS1H102KC	CAP , CHIP	ONLY AH VERSION
C3454	CCUS1H102KC	CAP , CHIP	ONLY AH VERSION
C3455	CCUS1H152KC	CAP , CHIP	ONLY AH VERSION
C3456	CCUS1H152KC	CAP , CHIP	ONLY AH VERSION
C3459	CCUS1H101JA	CAP , CHIP	ONLY AH VERSION
C3460	CCUS1H101JA	CAP , CHIP	ONLY AH VERSION
C3463	CCUS1H223KC	CAP , CHIP	ONLY AH VERSION
C3464	CCUS1H223KC	CAP , CHIP	ONLY AH VERSION
C3472	CCUS1H223KC	CAP , CHIP	ONLY AH VERSION
C3474	CCUS1H223KC	CAP , CHIP	ONLY AH VERSION
C3476	CCUS1H331JA	CAP , CHIP	ONLY AH VERSION
C3477	CCUS1H104KC	CAP , CHIP	ONLY AH VERSION
C3478	CCUS1H561JA	CAP , CHIP	ONLY AH VERSION
C3479	CCUS1H104KC	CAP , CHIP	ONLY AH VERSION
C3480	CCUS1H220JA	CAP , CHIP	ONLY AH VERSION
C3481	CCUS1H220JA	CAP , CHIP	ONLY AH VERSION
C3482	CCUS1H102KC	CAP , CHIP	ONLY AH VERSION
C3483	CCUS1H102KC	CAP , CHIP	ONLY AH VERSION
C3602	CCUS1H104KC	CAP , CHIP	ONLY AH VERSION
C3604	CCUS1H104KC	CAP , CHIP	ONLY AH VERSION
C3606	CCUS1H104KC	CAP , CHIP	ONLY AH VERSION
C3608	CCUS1H104KC	CAP , CHIP	ONLY AH VERSION
C3610	CCUS1H104KC	CAP , CHIP	ONLY AH VERSION
C3612	CCUS1H104KC	CAP , CHIP	ONLY AH VERSION
C3701	CCUS1H104KC	CAP , CHIP	ONLY AH VERSION
C3703	CCUS1H104KC	CAP , CHIP	ONLY AH VERSION
C3705	CCUS1H104KC	CAP , CHIP	ONLY AH VERSION
C3709	CCUS1H104KC	CAP , CHIP	ONLY AH VERSION
C3711	CCUS1H104KC	CAP , CHIP	ONLY AH VERSION
C3713	CCUS1H104KC	CAP , CHIP	ONLY C VERSION
C3715	CCUS1H104KC	CAP , CHIP	ONLY C VERSION
C3721	CCUS1H104KC	CAP , CHIP	ONLY C VERSION
C3722	CCUS1H104KC	CAP , CHIP	ONLY C VERSION
D3095	CVD1SS355T	DIODE , CHIP	
D3110	CVD1SS355T	DIODE , CHIP	
D3327	HVDRB160L60TE25	DIODE , SCHOTTKY BARRIER HK	
D3328	HVDRB160L60TE25	DIODE , SCHOTTKY BARRIER HK	
D3422	HVDUDZS4.3BSR	DIODE , ZENER (CHIP,4.3V)	ONLY AH VERSION
D3423	HVDUDZS4.3BSR	DIODE , ZENER (CHIP,4.3V)	ONLY AH VERSION

LOAD No.	PARTS No.	DESCRIPTION	SPECIFICATION
D3429	HVDRB160L60TE25	DIODE , SCHOTTKEY BARRIER HK	ONLY AH VERSION
D3431	HVDRB160L60TE25	DIODE , SCHOTTKEY BARRIER HK	ONLY AH VERSION
D3701	CVD1SS355T	DIODE , CHIP	
D3702	CVD1SS355T	DIODE , CHIP	
D3703	CVD1SS355T	DIODE , CHIP	
D3704	CVD1SS355T	DIODE , CHIP	
D3705	CVD1SS355T	DIODE , CHIP	
D3706	CVD1SS355T	DIODE , CHIP	
D3709	CVD1SS355T	DIODE , CHIP	
D3710	CVD1SS355T	DIODE , CHIP	
D3711	CVD1SS355T	DIODE , CHIP	
D3712	CVD1SS355T	DIODE , CHIP	
D3713	CVD1SS355T	DIODE , CHIP	
D3714	CVD1SS355T	DIODE , CHIP	
D3715	CVD1SS355T	DIODE , CHIP	
D3716	CVD1SS355T	DIODE , CHIP	
IC301	CVIR2A15218FP	I.C , INPUT WITH 8CH VOLUME(100P QFP)	
IC302	HVICD4094BPWR	I.C , SHIFT REGISTER	
IC303	HVINJM2068MDTE1	I.C , OP AMP	
IC341	CVIXMDTIC	I.C , XM V3B	ONLY AH VERSION
IC342	CVIAK4384ET	I.C , ADC	ONLY AH VERSION
IC343	HVINJM2068MDTE1	I.C , OP AMP	ONLY AH VERSION
IC344	CVIKIA1117S33	I.C , REGULATOR(SOT-223)	ONLY AH VERSION
IC351	HVITC74HCT7007F	I.C	
IC352	HVILC72723M	IC , PLL (RDS)	
L3408	CLQ06E2R7KRZ	INDUCTOR , CHIP	ONLY AH VERSION
L3426	CLZ9Z014Z	FERRITE , CHIP BEAD(60ohm, 4516)	ONLY AH VERSION
L3429	CLZ9Z014Z	FERRITE , CHIP BEAD(60ohm, 4516)	ONLY AH VERSION
L3430	CLZ9Z014Z	FERRITE , CHIP BEAD(60ohm, 4516)	ONLY AH VERSION
Q3095	HVTKTC2875B	TR , CHIP	
Q3096	HVTKTC2875B	TR , CHIP	
Q3097	HVTKTC2875B	TR , CHIP	
Q3098	HVTKTC2875B	TR , CHIP	
Q3099	HVTKTC2875B	TR , CHIP	
Q3100	HVTKTC2875B	TR , CHIP	
Q3101	HVTKTC2875B	TR , CHIP	
Q3109	HVTKTC2875B	TR , CHIP	
Q3110	HVTKTC2875B	TR , CHIP	
Q3301	HVTKRC107S	T.R , CHIP	
Q3303	HVTKRC107S	T.R , CHIP	
Q3304	HVTKRC107S	T.R , CHIP	
Q3305	HVTKRC107S	T.R , CHIP	
Q3307	HVTKRC107S	T.R , CHIP	
Q3308	HVTKRC107S	T.R , CHIP	
Q3309	HVTKRA107S	TR, CHIP	
Q3311	HVTKRA107S	TR, CHIP	
Q3312	HVTKRA107S	TR, CHIP	
RN341	CRJ104DJ101T	RES , CHIP NETWORK(1/16W, 100ohm, 1608X4)	ONLY AH VERSION
RN342	CRJ102DJ220T	RES , CHIP NETWORK 1/10W, 22ohm, J , 1608 2 ARRAY	ONLY AH VERSION
RN343	CRJ104DJ220T	RES,4ARRAY	ONLY AH VERSION
R3001	CRJ10DJ471T	RES , CHIP	
R3002	CRJ10DJ471T	RES , CHIP	
R3003	CRJ10DJ471T	RES , CHIP	
R3004	CRJ10DJ471T	RES , CHIP	
R3005	CRJ10DJ471T	RES , CHIP	
R3006	CRJ10DJ471T	RES , CHIP	
R3007	CRJ10DJ471T	RES , CHIP	
R3008	CRJ10DJ471T	RES , CHIP	
R3009	CRJ10DJ471T	RES , CHIP	

LOAD No.	PARTS No.	DESCRIPTION	SPECIATION
R3010	CRJ10DJ471T	RES , CHIP	
R3013	CRJ10DJ471T	RES , CHIP	
R3014	CRJ10DJ471T	RES , CHIP	
R3015	CRJ10DJ471T	RES , CHIP	
R3016	CRJ10DJ471T	RES , CHIP	
R3017	CRJ10DJ471T	RES , CHIP	
R3018	CRJ10DJ471T	RES , CHIP	
R3019	CRJ10DJ471T	RES , CHIP	
R3020	CRJ10DJ471T	RES , CHIP	
R3021	CRJ10DJ471T	RES , CHIP	
R3022	CRJ10DJ471T	RES , CHIP	
R3023	CRJ10DJ471T	RES , CHIP	
R3024	CRJ10DJ471T	RES , CHIP	
R3025	CRJ10DJ471T	RES , CHIP	
R3026	CRJ10DJ471T	RES , CHIP	
R3027	CRJ10DJ104T	RES , CHIP	
R3028	CRJ10DJ104T	RES , CHIP	
R3029	CRJ10DJ104T	RES , CHIP	
R3030	CRJ10DJ104T	RES , CHIP	
R3031	CRJ10DJ104T	RES , CHIP	
R3032	CRJ10DJ104T	RES , CHIP	
R3033	CRJ10DJ104T	RES , CHIP	
R3034	CRJ10DJ104T	RES , CHIP	
R3035	CRJ10DJ104T	RES , CHIP	
R3036	CRJ10DJ104T	RES , CHIP	
R3039	CRJ10DJ104T	RES , CHIP	
R3040	CRJ10DJ104T	RES , CHIP	
R3041	CRJ10DJ104T	RES , CHIP	
R3042	CRJ10DJ104T	RES , CHIP	
R3043	CRJ10DJ104T	RES , CHIP	
R3044	CRJ10DJ104T	RES , CHIP	
R3045	CRJ10DJ104T	RES , CHIP	
R3046	CRJ10DJ104T	RES , CHIP	
R3047	CRJ10DJ104T	RES , CHIP	
R3048	CRJ10DJ104T	RES , CHIP	
R3049	CRJ10DJ104T	RES , CHIP	
R3050	CRJ10DJ104T	RES , CHIP	
R3051	CRJ10DJ104T	RES , CHIP	
R3052	CRJ10DJ104T	RES , CHIP	
R3053	CRJ10DJ104T	RES , CHIP	
R3054	CRJ10DJ104T	RES , CHIP	
R3055	CRJ10DJ104T	RES , CHIP	
R3056	CRJ10DJ104T	RES , CHIP	
R3057	CRJ10DJ104T	RES , CHIP	
R3058	CRJ10DJ104T	RES , CHIP	
R3071	CRJ10DJ472T	RES , CHIP	
R3074	CRJ10DJ472T	RES , CHIP	
R3081	CRJ10DJ104T	RES , CHIP	
R3082	CRJ10DJ104T	RES , CHIP	
R3083	CRJ10DJ104T	RES , CHIP	
R3084	CRJ10DJ104T	RES , CHIP	
R3085	CRJ10DJ104T	RES , CHIP	
R3086	CRJ10DJ104T	RES , CHIP	
R3087	CRJ10DJ104T	RES , CHIP	
R3088	CRJ10DJ561T	RES , CHIP	
R3089	CRJ10DJ561T	RES , CHIP	
R3090	CRJ10DJ561T	RES , CHIP	
R3091	CRJ10DJ561T	RES , CHIP	
R3092	CRJ10DJ561T	RES , CHIP	

LOAD No.	PARTS No.	DESCRIPTION	SPECIATION
R3093	CRJ10DJ561T	RES , CHIP	
R3094	CRJ10DJ561T	RES , CHIP	
R3095	CRJ10DJ562T	RES , CHIP	
R3096	CRJ10DJ562T	RES , CHIP	
R3097	CRJ10DJ562T	RES , CHIP	
R3098	CRJ10DJ562T	RES , CHIP	
R3099	CRJ10DJ562T	RES , CHIP	
R3100	CRJ10DJ562T	RES , CHIP	
R3101	CRJ10DJ562T	RES , CHIP	
R3102	CRJ10DJ104T	RES , CHIP	
R3103	CRJ10DJ153T	RES , CHIP	
R3104	CRJ10DJ122T	RES , CHIP	
R3105	CRJ10DJ103T	RES , CHIP	
R3106	CRJ10DJ104T	RES , CHIP	
R3107	CRJ10DJ561T	RES , CHIP	
R3108	CRJ10DJ561T	RES , CHIP	
R3109	CRJ10DJ562T	RES , CHIP	
R3110	CRJ10DJ562T	RES , CHIP	
R3113	CRJ10DJ471T	RES , CHIP	
R3301	CRJ10DJ103T	RES , CHIP	
R3303	CRJ10DJ103T	RES , CHIP	
R3304	CRJ10DJ103T	RES , CHIP	
R3309	CRJ10DJ105T	RES , CHIP	
R3311	CRJ10DJ105T	RES , CHIP	
R3312	CRJ10DJ105T	RES , CHIP	
R3323	CRJ10DJ681T	RES , CHIP	
R3324	CRJ10DJ681T	RES , CHIP	
R3331	CRJ10DJ100T	RES , CHIP	
R3332	CRJ10DJ103T	RES , CHIP	
R3333	CRJ10DJ101T	RES , CHIP	
R3334	CRJ10DJ101T	RES , CHIP	
R3335	CRJ10DJ101T	RES , CHIP	
R3401	CRJ10DJ104T	RES , CHIP	ONLY AH VERSION
R3402	CRJ10DJ104T	RES , CHIP	ONLY AH VERSION
R3403	CRJ10DJ104T	RES , CHIP	ONLY AH VERSION
R3404	CRJ10DJ223T	RES , CHIP	ONLY AH VERSION
R3405	CRJ10DJ223T	RES , CHIP	ONLY AH VERSION
R3406	CRJ10DJ223T	RES , CHIP	ONLY AH VERSION
R3407	CRJ10DJ223T	RES , CHIP	ONLY AH VERSION
R3408	CRJ10DJ223T	RES , CHIP	ONLY AH VERSION
R3409	CRJ10DJ223T	RES , CHIP	ONLY AH VERSION
R3410	CRJ10DJ223T	RES , CHIP	ONLY AH VERSION
R3411	CRJ10DJ151T	RES , CHIP	ONLY AH VERSION
R3412	CRJ10DJ105T	RES , CHIP	ONLY AH VERSION
R3413	CRJ10DJ104T	RES , CHIP	ONLY AH VERSION
R3414	CRJ10DJ223T	RES , CHIP	ONLY AH VERSION
R3415	CRJ10DJ223T	RES , CHIP	ONLY AH VERSION
R3416	CRJ10DJ223T	RES , CHIP	ONLY AH VERSION
R3417	CRJ14CJ0R0T	RES , CHIP 1/4W	ONLY AH VERSION
R3418	CRJ10DJ102T	RES , CHIP	ONLY AH VERSION
R3419	CRJ10DJ102T	RES , CHIP	ONLY AH VERSION
R3420	CRJ10DJ101T	RES , CHIP	ONLY AH VERSION
R3421	CRJ10DJ101T	RES , CHIP	ONLY AH VERSION
R3431	CRJ10DJ473T	RES , CHIP	ONLY AH VERSION
R3441	CRJ10DJ103T	RES , CHIP	ONLY AH VERSION
R3442	CRJ10DJ103T	RES , CHIP	ONLY AH VERSION
R3443	CRJ10DJ0R0T	RES , CHIP	ONLY AH VERSION
R3444	CRJ10DJ103T	RES , CHIP	ONLY AH VERSION
R3451	CRJ10DJ104T	RES , CHIP	ONLY AH VERSION



LOAD No.	PARTS No.	DESCRIPTION	SPECIATION
R3452	CRJ10DJ104T	RES , CHIP	ONLY AH VERSION
R3453	CRJ10DJ332T	RES , CHIP	ONLY AH VERSION
R3454	CRJ10DJ332T	RES , CHIP	ONLY AH VERSION
R3455	CRJ10DJ222T	RES , CHIP	ONLY AH VERSION
R3456	CRJ10DJ222T	RES , CHIP	ONLY AH VERSION
R3457	CRJ10DJ332T	RES , CHIP	ONLY AH VERSION
R3458	CRJ10DJ332T	RES , CHIP	ONLY AH VERSION
R3459	CRJ10DJ332T	RES , CHIP	ONLY AH VERSION
R3460	CRJ10DJ332T	RES , CHIP	ONLY AH VERSION
R3461	CRJ10DJ104T	RES , CHIP	ONLY AH VERSION
R3462	CRJ10DJ104T	RES , CHIP	ONLY AH VERSION
R3463	CRJ10DJ101T	RES , CHIP	ONLY AH VERSION
R3464	CRJ10DJ101T	RES , CHIP	ONLY AH VERSION
R3471	CRJ10DJ4R7T	RES , CHIP	ONLY AH VERSION
R3473	CRJ10DJ4R7T	RES , CHIP	ONLY AH VERSION
R3481	CRJ10DJ103T	RES , CHIP	ONLY AH VERSION
R3482	CRJ10DJ102T	RES , CHIP	ONLY AH VERSION
R3483	CRJ10DJ102T	RES , CHIP	ONLY AH VERSION
R3601	CRJ10DJ473T	RES , CHIP	ONLY AH VERSION
R3603	CRJ10DJ473T	RES , CHIP	ONLY AH VERSION
R3604	CRJ10DJ103T	RES , CHIP	ONLY AH VERSION
R3605	CRJ10DJ103T	RES , CHIP	ONLY AH VERSION
R3606	CRJ10DJ153T	RES , CHIP	ONLY AH VERSION
R3609	CRJ10DF3300T	RES, CHIP 330 OHM/1608/1%	ONLY AH VERSION
R3610	CRJ10DF4700T	RES, CHIP 470 OHM/1608/1%	ONLY AH VERSION
R3611	CRJ10DF4700T	RES, CHIP 470 OHM/1608/1%	ONLY AH VERSION
R3694	CRJ10DJ0R0T	RES , CHIP	ONLY AH VERSION
R3695	CRJ10DJ0R0T	RES , CHIP	ONLY C VERSION
R3701	CRJ10DJ4R7T	RES , CHIP	ONLY C VERSION
R3703	CRJ10DJ4R7T	RES , CHIP	ONLY C VERSION
R3705	CRJ10DJ4R7T	RES , CHIP	ONLY C VERSION
R3709	CRJ10DJ4R7T	RES , CHIP	ONLY C VERSION
R3711	CRJ10DJ4R7T	RES , CHIP	ONLY C VERSION
R3713	CRJ10DJ4R7T	RES , CHIP	ONLY C VERSION
R3715	CRJ10DJ4R7T	RES , CHIP	ONLY C VERSION
X3401	COX45158E180S	X-TAL, 45.1584MHz (SMD)	ONLY AH VERSION
R3721	CRJ10DJ4R7T	RES , CHIP	ONLY C VERSION
R3722	CRJ10DJ4R7T	RES , CHIP	ONLY C VERSION
C3027	CCEA1HH100T	CAP , ELECT	
C3028	CCEA1HH100T	CAP , ELECT	
C3041	CCEA1HH100T	CAP , ELECT	
C3042	CCEA1HH100T	CAP , ELECT	
C3053	CCEA1HH100T	CAP , ELECT	
C3054	CCEA1HH100T	CAP , ELECT	
C3055	CCEA1HH100T	CAP , ELECT	
C3056	CCEA1HH100T	CAP , ELECT	
C3059	CCEA1CH101T	CAP , ELECT	
C3060	CCEA1CH101T	CAP , ELECT	
C3061	CCEA1CH101T	CAP , ELECT	
C3062	CCEA1CH101T	CAP , ELECT	
C3063	CCEA1CH101T	CAP , ELECT	
C3064	CCEA1CH101T	CAP , ELECT	
C3065	CCEA1CH101T	CAP , ELECT	
C3066	CCEA1CH101T	CAP , ELECT	
C3067	CCEA1HH100T	CAP , ELECT	
C3068	CCEA1HH100T	CAP , ELECT	
C3069	CCEA1HH100T	CAP , ELECT	
C3070	CCEA1HH100T	CAP , ELECT	
C3071	HCQI1H223JZT	CAP , MYLAR	

LOAD No.	PARTS No.	DESCRIPTION	SPECIATION
C3072	HCQI1H473JZT	CAP , MYLAR	
C3073	CCME2A154JXT	CAP , METALLIZED FILM	
C3074	HCQI1H223JZT	CAP , MYLAR	
C3075	HCQI1H473JZT	CAP , MYLAR	
C3076	CCME2A154JXT	CAP , METALLIZED FILM	
C3081	CCEA1HH100T	CAP , ELECT	
C3082	CCEA1HH100T	CAP , ELECT	
C3083	CCEA1HH100T	CAP , ELECT	
C3084	CCEA1HH100T	CAP , ELECT	
C3085	CCEA1HH100T	CAP , ELECT	
C3086	CCEA1HH100T	CAP , ELECT	
C3087	CCEA1HH100T	CAP , ELECT	
C3102	CCEA1HH100T	CAP , ELECT	
C3105	CCEA1HH100T	CAP , ELECT	
C3301	CCEA1HH100T	CAP , ELECT	
C3321	CCEA1CH101T	CAP , ELECT	
C3322	CCEA1CH101T	CAP , ELECT	
C3325	CCEA1CH101T	CAP , ELECT	
C3326	CCEA1CH101T	CAP , ELECT	
C3327	CCEA1CH101T	CAP , ELECT	
C3328	CCEA1CH101T	CAP , ELECT	
C3331	CCEA1CH101T	CAP , ELECT	
C3405	CCEA1CH220T	CAP , ELECT	ONLY AH VERSION
C3424	CCEA1CH101T	CAP , ELECT	ONLY AH VERSION
C3427	CCEA1CH101T	CAP , ELECT	ONLY AH VERSION
C3429	CCEA1CH101T	CAP , ELECT	ONLY AH VERSION
C3430	CCEA1CH101T	CAP , ELECT	ONLY AH VERSION
C3444	CCEA1CH220T	CAP , ELECT	ONLY AH VERSION
C3446	CCEA1HH100T	CAP , ELECT	ONLY AH VERSION
C3451	CCEA1HH100T	CAP , ELECT	ONLY AH VERSION
C3452	CCEA1HH100T	CAP , ELECT	ONLY AH VERSION
C3461	CCEA1HH100T	CAP , ELECT	ONLY AH VERSION
C3462	CCEA1HH100T	CAP , ELECT	ONLY AH VERSION
C3471	CCEA1CH101T	CAP , ELECT	
C3473	CCEA1CH101T	CAP , ELECT	
C3475	CCEA1HH100T	CAP , ELECT	
C3484	CCEA1CH471T	CAP , ELECT	
C3609	CCEA1CH101T	CAP , ELECT	
Q3321	HVTKTC3203YT	T.R	
Q3322	HVTKTA1271YT	T.R	
R3321	CRG1SANJ680RT	RES , METAL OXIDE FILM(1W/68 OHM)	
R3322	CRG1SANJ680RT	RES , METAL OXIDE FILM(1W/68 OHM)	
	CMY2A216TA	REGULATOR HEAT SINK ASS'Y (CMY2A216)	
	CMY2A216	HEAT SINK	
IC362	CVIKIA578R05PI	I.C , REGULATOR 5A	
IC363	CVIKIA7905PI	I.C , REGULATOR(-5V)	
IC364	HVIKIA7809API	I.C , REGULATOR +9V	
IC365	CVIKIA378R00PI	I.C , REGULATOR(3A, TO220IS-4)	
BK301	CMD1A569	BRACKET , PCB	
BN301	CJP15GB99ZY	WAFER	
BN302	CJP15GB99ZY	WAFER	
BN303	CJP15GB99ZY	WAFER	
BN311	CWB1B00335047001	WIRE ASS'Y (3PIN,2.0mm,350mm,STRAIGHT,#26)	
CN146	CJP09GI237ZW	LOCKING TYPE , STRAIGHT WAFER , 2.5MM	
CN312	CJP15GA115ZY	WAFER , CARD CABLE	
CN401	CJP13GA115ZY	WAFER , CARD CABLE	
CN561	CJP15GI237ZW	LOCKING TYPE , STRAIGHT WAFER , 2.5MM	
C3432	CCEA1CH102E	CAP , ELECT	ONLY AH VERSION
C3601	CCEA1CH102E	CAP , ELECT	

LOAD No.	PARTS No.	DESCRIPTION	SPECIATION
C3603	CCEA1CH102E	CAP , ELECT	
C3605	CCEA1CH102E	CAP , ELECT	
C3607	CCEA1CH102E	CAP , ELECT	
C3611	CCEA1CH102E	CAP , ELECT	
C3613	CCEA1CH103E	CAP , ELECT	
D3325	CVDZJ7.5BT	DIODE , ZENER 7.5V	
D3326	CVDZJ7.5BT	DIODE , ZENER 7.5V	
IC345	CVIKIA278R05PIHA CMY4A222	I.C HEAT SINK ASS'Y (CMY4A222) HEAT SINK	
IC95	HVIKIA278R05PI	REGULATOR (5V OUTPUT LOW DROP)	
IC361	CVIKIA278R05PIHA K8AYG6260	I.C HEAT SINK ASS'Y (CMY4A222) HEAT SINK	ONLY AH VERSION
IC95	HVIKIA278R05PI	REGULATOR (5V OUTPUT LOW DROP)	ONLY AH VERSION
JK301	CJJ4R020W	JACK , BOARD	
JK302	CJJ4P019W	JACK , RCA	
JK304	CJJ4R020W	JACK , BOARD	
JK305	CJJ4P041Z	JACK IN/OUT	
JK306	CJJ4P042Z	JACK IN/OUT	
JK318	CJJ4M042Z	JACK , INPUT(1PIN,GOLD PLATE)	
JK341	CJJ9L006Z	JACK , XM	ONLY AH VERSION
JW301	CWE8102100VV	WIRE , BLACK	ONLY AH VERSION
X3501	HOX04332A200C CFNCF12610S <b>CUP12123Z</b>	CRYSTAL FAN (60X60X10) <b>PCB , VIDEO T737AH (247X278 , FR4/2)</b>	
C1004	CCUS1H101JA	CAP , CHIP	
C1005	CCUS1H101JA	CAP , CHIP	
C1006	CCUS1H101JA	CAP , CHIP	
C1019	CCUS1H020CA	CAP , CHIP	
C1021	CCUS1H020CA	CAP , CHIP	
C1023	CCUS1H020CA	CAP , CHIP	
C1025	CCUS1H020CA	CAP , CHIP	
C1027	CCUS1H020CA	CAP , CHIP	
C1029	CCUS1H020CA	CAP , CHIP	
C1033	CCUS1H020CA	CAP , CHIP	
C1037	CCUS1H020CA	CAP , CHIP	
C1041	CCUS1H020CA	CAP , CHIP	
C1043	CCUS1H223KC	CAP , CHIP	
C1045	CCUS1H223KC	CAP , CHIP	
C1047	CCUS1H223KC	CAP , CHIP	
C1049	CCUS1H223KC	CAP , CHIP	
C1051	CCUS1H223KC	CAP , CHIP	
C1053	CCUS1H223KC	CAP , CHIP	
C1056	CCUS1H104KC	CAP , CHIP	
C1058	CCUS1H104KC	CAP , CHIP	
C1059	CCUS1H104KC	CAP , CHIP	
C1060	CCUS1H104KC	CAP , CHIP	
C1061	CCUS1H104KC	CAP , CHIP	
C1062	CCUS1H104KC	CAP , CHIP	
C1066	CCUS1H471JA	CAP , CHIP	
C1067	CCUS1H471JA	CAP , CHIP	
C1068	CCUS1H471JA	CAP , CHIP	
C1070	CCUS1H471JA	CAP , CHIP	
C1071	CCUS1H471JA	CAP , CHIP	
C1072	CCUS1H471JA	CAP , CHIP	
C1074	CCUS1H330JA	CAP , CHIP	
C1075	CCUS1H330JA	CAP , CHIP	
C1076	CCUS1H330JA	CAP , CHIP	
C1077	CCUS1H330JA	CAP , CHIP	
C1078	CCUS1H181JA	CAP , CHIP	

LOAD No.	PARTS No.	DESCRIPTION	SPECIATION
C1081	CCUS1H223KC	CAP , CHIP	
C1083	CCUS1H220JA	CAP , CHIP	
C1084	CCUS1H330JA	CAP , CHIP	
C1085	CCUS1H223KC	CAP , CHIP	
C1090	CCUS1H560JA	CAP , CHIP	
C1091	CCUS1H220JA	CAP , CHIP	
C1092	CCUS1H220JA	CAP , CHIP	
C1093	CCUS1H223KC	CAP , CHIP	
C1096	CCUS1H223KC	CAP , CHIP	
C1097	CCUS1H470JA	CAP , CHIP	
C1098	CCUS1H152KC	CAP , CHIP	
C1099	CCUS1H682KC	CAP , CHIP	
C1120	CCUS1H104KC	CAP , CHIP	
C1121	CCUS1H104KC	CAP , CHIP	
C1122	CCUS1H104KC	CAP , CHIP	
C1123	CCUS1H104KC	CAP , CHIP	
C1124	CCUS1H104KC	CAP , CHIP	
C1125	CCUS1H104KC	CAP , CHIP	
C1126	CCUS1H102KC	CAP , CHIP	
C1128	CCUS1H104KC	CAP , CHIP	
C1129	CCUS1H103KC	CAP , CHIP	
C1130	CCUS1H104KC	CAP , CHIP	
C1131	CCUS1H104KC	CAP , CHIP	
C1133	CCUS1H104KC	CAP , CHIP	
C1135	CCUS1H104KC	CAP , CHIP	
C1137	CCUS1H104KC	CAP , CHIP	
C1139	CCUS1H104KC	CAP , CHIP	
C1140	CCUS1H103KC	CAP , CHIP	
C1141	CCUS1H104KC	CAP , CHIP	
C1144	CCUS1H104KC	CAP , CHIP	
C1145	CCUS1H104KC	CAP , CHIP	
C1146	CCUS1H104KC	CAP , CHIP	
C1147	CCUS1H104KC	CAP , CHIP	
C1148	CCUS1H470JA	CAP , CHIP	
C1149	CCUS1H470JA	CAP , CHIP	
C1150	CCUS1H823KC	CAP , CHIP	
C1151	CCUS1H103KC	CAP , CHIP	
C1152	CCUS1H104KC	CAP , CHIP	
C1153	CCUS1H123KC	CAP , CHIP(1608, 50V/12NF)	
C1154	CCUS1C154KC	CAP , CHIP	
C1155	CCUS1C154KC	CAP , CHIP	
C1156	CCUS1H123KC	CAP , CHIP(1608, 50V/12NF)	
C1157	CCUS1H104KC	CAP , CHIP	
C1158	CCSJA0J220B	CAP , CHIP TANTAL(A TYPE, 22uF/6.3V, ELNA)	
C1159	CCUS1H104KC	CAP , CHIP	
C1160	CCSJA0J220B	CAP , CHIP TANTAL(A TYPE, 22uF/6.3V, ELNA)	
C1161	CCUS1H104KC	CAP , CHIP	
C1162	CCSJA0J220B	CAP , CHIP TANTAL(A TYPE, 22uF/6.3V, ELNA)	
C1163	CCUS1H222KC	CAP , CHIP	
C1164	CCUS1H104KC	CAP , CHIP	
C1165	CCSJA0J220B	CAP , CHIP TANTAL(A TYPE, 22uF/6.3V, ELNA)	
C1166	CCUS1H104KC	CAP , CHIP	
C1167	CCUS1H222KC	CAP , CHIP	
C1168	CCSJA0J220B	CAP , CHIP TANTAL(A TYPE, 22uF/6.3V, ELNA)	
C1169	CCUS1H104KC	CAP , CHIP	
C1170	CCSJA0J220B	CAP , CHIP TANTAL(A TYPE, 22uF/6.3V, ELNA)	
C1171	CCUS1H104KC	CAP , CHIP	
C1172	CCUS1H104KC	CAP , CHIP	
C1173	CCSJA0J220B	CAP , CHIP TANTAL(A TYPE, 22uF/6.3V, ELNA)	

LOAD No.	PARTS No.	DESCRIPTION	SPECIFICATION
C1174	CCSJA0J220B	CAP , CHIP TANTAL(A TYPE, 22uF/6.3V, ELNA)	
C1175	CCUS1H104KC	CAP , CHIP	
C1176	CCUS1H104KC	CAP , CHIP	
C1177	CCUS1A105KC	CAP , CHIP	
C1178	CCSJA1C100B	CAP , CHIP TANTAL(A TYPE, 10uF/16V, ELNA)	
C1179	CCUS1A105KC	CAP , CHIP	
C1180	CCSJA1C100B	CAP , CHIP TANTAL(A TYPE, 10uF/16V, ELNA)	
C1181	CCUS1H104KC	CAP , CHIP	
C1182	CCSJA1C100B	CAP , CHIP TANTAL(A TYPE, 10uF/16V, ELNA)	
C1183	CCUS1H104KC	CAP , CHIP	
C1184	CCUS1H104KC	CAP , CHIP	
C1185	CCUS1H104KC	CAP , CHIP	
C1187	CCUS1H104KC	CAP , CHIP	
C1188	CCUS1H104KC	CAP , CHIP	
C1191	CCUS1H104KC	CAP , CHIP	
C1192	CCUS1H104KC	CAP , CHIP	
C1195	CCUS1H104KC	CAP , CHIP	
C1196	CCUS1H104KC	CAP , CHIP	
C1208	CCUS1H101JA	CAP , CHIP	
C1210	CCUS1H101JA	CAP , CHIP	
C1212	CCUS1H101JA	CAP , CHIP	
C1214	CCUS1H104KC	CAP , CHIP	
C1215	CCUS1H104KC	CAP , CHIP	
C1216	CCUS1H104KC	CAP , CHIP	
C1217	CCUS1H104KC	CAP , CHIP	
C1218	CCUS1H104KC	CAP , CHIP	
C1219	CCUS1H104KC	CAP , CHIP	
C1220	CCUS1H104KC	CAP , CHIP	
D1003	HVD1SR159-200	DIODE , RECTIFIER	
D1004	HVD1SR159-200	DIODE , RECTIFIER	
D1006	HVD1SR159-200	DIODE , RECTIFIER	
IC101	CVINJM2595MTE1	I.C , VIDEO S/W	
IC102	CVINJM2595MTE1	I.C , VIDEO S/W	
IC103	CVINJM2595MTE1	I.C , VIDEO S/W	
IC104	HVINJM2586AMTE1	I.C , VIDEO SW	
IC105	HVICD4094BPWR	I.C , SHIFT REGISTER	
IC106	HVICD4094BPWR	I.C , SHIFT REGISTER	
IC107	CVINJM2535MTE1	I.C , VIDEO S/W	
IC108	HVILC74763M	I.C , OSD	
IC109	HVI74ACT04MTR	I.C , HEX	
IC110	HVINJM2285MTE1	I.C, VIDEO SWITCH	
IC111	CVIADV7403BS110	I.C , VIDEO ENCODER	
IC112	CVIADV7342BSTZ	I.C , VIDEO ENCODER	
IC113	CVINJM2566V	I.C , NJM2566AV(TE1)	
IC114	CVIKIA1117S50	I.C , REGULATOR(SOT-223)	
IC115	CVIKIA1117S33	I.C , REGULATOR(SOT-223)	
IC116	CVIKIA1117S18	I.C , REGULATOR(SOT-223)	
L1003	CLZ9Z014Z	FERRITE , CHIP BEAD(60ohm, 4516)	
L1004	CLZ9Z014Z	FERRITE , CHIP BEAD(60ohm, 4516)	
L1005	CLZ9Z014Z	FERRITE , CHIP BEAD(60ohm, 4516)	
L1006	CLZ9Z014Z	FERRITE , CHIP BEAD(60ohm, 4516)	
Q1002	HVTKTA1504SYRTK	T.R , CHIP	
Q1003	HVKRC102S	T.R , CHIP	
Q1004	HVTKTC3875SYRTK	T.R , CHIP	
Q1008	HVKRC102S	T.R , CHIP	
Q1009	HVTKTC3875SYRTK	T.R , CHIP	
RN101	CRJ104DJ101T	RES , CHIP NETWORK(1/16W, 100ohm, 1608X4)	
RN102	CRJ104DJ101T	RES , CHIP NETWORK(1/16W, 100ohm, 1608X4)	
RN103	CRJ104DJ220T	RES,4ARRAY	

LOAD No.	PARTS No.	DESCRIPTION	SPECIATION
RN104	CRJ104DJ220T	RES,4ARRAY	
RN105	CRJ104DJ220T	RES,4ARRAY	
RN106	CRJ104DJ220T	RES,4ARRAY	
RN107	CRJ104DJ100T	RES, ARRAY, 10R (1608)	
RN108	CRJ104DJ100T	RES, ARRAY, 10R (1608)	
RN109	CRJ104DJ100T	RES, ARRAY, 10R (1608)	
RN110	CRJ104DJ100T	RES, ARRAY, 10R (1608)	
RN111	CRJ104DJ100T	RES, ARRAY, 10R (1608)	
RN112	CRJ104DJ100T	RES, ARRAY, 10R (1608)	
RN113	CRJ104DJ100T	RES, ARRAY, 10R (1608)	
RN114	CRJ064IJ330T	RES, CHIP NETWORK(1/16W, 33ohm, 1005X4)	
RN115	CRJ104DJ101T	RES, CHIP NETWORK(1/16W, 100ohm, 1608X4)	
R1001	CRJ10DJ750T	RES, CHIP	
R1002	CRJ10DJ750T	RES, CHIP	
R1003	CRJ10DJ750T	RES, CHIP	
R1004	CRJ10DJ750T	RES, CHIP	
R1005	CRJ10DJ750T	RES, CHIP	
R1006	CRJ10DJ750T	RES, CHIP	
R1007	CRJ10DJ0R0T	RES, CHIP	
R1008	CRJ10DJ0R0T	RES, CHIP	
R1009	CRJ10DJ0R0T	RES, CHIP	
R1010	CRJ10DJ750T	RES, CHIP	
R1011	CRJ10DJ750T	RES, CHIP	
R1012	CRJ10DJ750T	RES, CHIP	
R1013	CRJ10DJ750T	RES, CHIP	
R1014	CRJ10DJ750T	RES, CHIP	
R1015	CRJ10DJ750T	RES, CHIP	
R1016	CRJ10DJ750T	RES, CHIP	
R1017	CRJ10DJ750T	RES, CHIP	
R1018	CRJ10DJ750T	RES, CHIP	
R1019	CRJ10DJ750T	RES, CHIP	
R1020	CRJ10DJ750T	RES, CHIP	
R1021	CRJ10DJ750T	RES, CHIP	
R1022	CRJ10DJ750T	RES, CHIP	
R1023	CRJ10DJ750T	RES, CHIP	
R1024	CRJ10DJ750T	RES, CHIP	
R1025	CRJ10DJ0R0T	RES, CHIP	
R1026	CRJ10DJ750T	RES, CHIP	
R1027	CRJ10DJ0R0T	RES, CHIP	
R1028	CRJ10DJ750T	RES, CHIP	
R1029	CRJ10DJ0R0T	RES, CHIP	
R1030	CRJ10DJ750T	RES, CHIP	
R1031	CRJ10DJ102T	RES, CHIP	
R1032	CRJ10DJ102T	RES, CHIP	
R1033	CRJ10DJ102T	RES, CHIP	
R1034	CRJ10DJ4R7T	RES, CHIP	
R1035	CRJ10DJ4R7T	RES, CHIP	
R1036	CRJ10DJ103T	RES, CHIP	
R1037	CRJ10DJ4R7T	RES, CHIP	
R1041	CRJ10DJ4R7T	RES, CHIP	
R1042	CRJ10DJ101T	RES, CHIP	
R1043	CRJ10DJ101T	RES, CHIP	
R1044	CRJ10DJ101T	RES, CHIP	
R1045	CRJ10DJ101T	RES, CHIP	
R1046	CRJ10DJ101T	RES, CHIP	
R1047	CRJ10DJ101T	RES, CHIP	
R1048	CRJ10DJ4R7T	RES, CHIP	
R1049	CRJ10DJ104T	RES, CHIP	
R1050	CRJ10DJ104T	RES, CHIP	

LOAD No.	PARTS No.	DESCRIPTION	SPECIATION
R1051	CRJ10DJ102T	RES , CHIP	
R1052	CRJ10DJ102T	RES , CHIP	
R1053	CRJ10DJ102T	RES , CHIP	
R1054	CRJ10DJ102T	RES , CHIP	
R1055	CRJ10DJ102T	RES , CHIP	
R1056	CRJ10DJ102T	RES , CHIP	
R1057	CRJ10DJ682T	RES , CHIP	
R1058	CRJ10DJ152T	RES , CHIP	
R1059	CRJ10DJ393T	RES , CHIP	
R1060	CRJ10DJ222T	RES , CHIP	
R1061	CRJ10DJ271T	RES , CHIP	
R1062	CRJ10DJ0R0T	RES , CHIP	
R1063	CRJ10DJ822T	RES , CHIP	
R1064	CRJ10DJ103T	RES , CHIP	
R1065	CRJ10DJ181T	RES , CHIP	
R1066	CRJ10DJ272T	RES , CHIP	
R1067	CRJ10DJ151T	RES , CHIP	
R1068	CRJ10DJ121T	RES , CHIP	
R1069	CRJ10DJ103T	RES , CHIP	
R1070	CRJ10DJ472T	RES , CHIP	
R1071	CRJ10DJ560T	RES , CHIP	
R1072	CRJ10DJ103T	RES , CHIP	
R1079	CRJ10DF75R0T	RES, CHIP 1% 75 OHM	
R1080	CRJ10DF75R0T	RES, CHIP 1% 75 OHM	
R1082	CRJ10DJ0R0T	RES , CHIP	
R1084	CRJ10DJ272T	RES , CHIP	
R1085	CRJ10DJ272T	RES , CHIP	
R1086	CRJ10DJ103T	RES , CHIP	
R1087	CRJ10DJ562T	RES , CHIP	
R1089	CRJ10DJ101T	RES , CHIP	
R1090	CRJ10DJ101T	RES , CHIP	
R1091	CRJ10DJ220T	RES , CHIP	
R1092	CRJ10DJ220T	RES , CHIP	
R1093	CRJ10DJ0R0T	RES , CHIP	
R1094	CRJ10DJ220T	RES , CHIP	
R1095	CRJ10DJ220T	RES , CHIP	
R1096	CRJ10DJ220T	RES , CHIP	
R1099	CRJ10DJ220T	RES , CHIP	
R1100	CRJ10DJ220T	RES , CHIP	
R1101	CRJ10DJ220T	RES , CHIP	
R1102	CRJ10DJ220T	RES , CHIP	
R1103	CRJ10DJ220T	RES , CHIP	
R1104	CRJ10DJ0R0T	RES , CHIP	
R1105	CRJ10DJ105T	RES , CHIP	
R1106	CRJ10DJ220T	RES , CHIP	
R1107	CRJ10DJ220T	RES , CHIP	
R1110	CRJ10DJ273T	RES , CHIP	
R1111	CRJ10DJ182T	RES , CHIP	
R1112	CRJ10DJ200T	RES , CHIP(1/10W, 20OHM,1608)	
R1113	CRJ10DJ151T	RES , CHIP	
R1114	CRJ10DJ200T	RES , CHIP(1/10W, 20OHM,1608)	
R1115	CRJ10DJ151T	RES , CHIP	
R1117	CRJ10DJ100T	RES , CHIP	
R1118	CRJ10DJ472T	RES , CHIP	
R1119	CRJ10DJ100T	RES , CHIP	
R1120	CRJ10DJ221T	RES , CHIP	
R1121	CRJ10DJ392T	RES , CHIP	
R1122	CRJ10DF4301T	RES , CHIP	
R1125	CRJ10DF6801T	RES, CHIP 6.8KOHM/1608/1%	

LOAD No.	PARTS No.	DESCRIPTION	SPECIFICATION
R1127	CRJ10DJ392T	RES , CHIP	
R1128	CRJ10DJ221T	RES , CHIP	
R1129	CRJ10DJ103T	RES , CHIP	
R1130	CRJ10DJ103T	RES , CHIP	
R1131	CRJ10DJ103T	RES , CHIP	
R1132	CRJ10DJ750T	RES , CHIP	
R1133	CRJ10DJ750T	RES , CHIP	
R1134	CRJ10DJ750T	RES , CHIP	
R1135	CRJ10DJ750T	RES , CHIP	
R1136	CRJ10DJ750T	RES , CHIP	
R1137	CRJ10DJ750T	RES , CHIP	
R1138	CRJ10DJ103T	RES , CHIP	
R1139	CRJ10DJ301T	RES , CHIP	
R1140	CRJ10DJ301T	RES , CHIP	
R1141	CRJ10DJ301T	RES , CHIP	
R1142	CRJ10DJ301T	RES , CHIP	
R1143	CRJ10DJ301T	RES , CHIP	
R1144	CRJ10DJ301T	RES , CHIP	
R1145	CRJ10DJ0R0T	RES , CHIP	
R1146	CRJ10DJ0R0T	RES , CHIP	
R1147	CRJ10DJ0R0T	RES , CHIP	
R1148	CRJ10DJ0R0T	RES , CHIP	
R1149	CRJ10DJ0R0T	RES , CHIP	
R1150	CRJ10DJ0R0T	RES , CHIP	
R1151	CRJ10DJ102T	RES , CHIP	
R1152	CRJ10DJ102T	RES , CHIP	
R1153	CRJ10DJ102T	RES , CHIP	
R1154	CRJ10DJ0R0T	RES , CHIP	
R1155	CRJ10DJ0R0T	RES , CHIP	
R1156	CRJ10DF75R0T	RES, CHIP 1% 75 OHM	
R1157	CRJ10DJ0R0T	RES , CHIP	
R1158	CRJ10DJ102T	RES , CHIP	
R1159	CRJ10DJ102T	RES , CHIP	
R1160	CRJ10DJ102T	RES , CHIP	
R1161	CRJ10DJ0R0T	RES , CHIP	
R1164	CRJ10DF75R0T	RES, CHIP 1% 75 OHM	
R1165	CRJ10DF75R0T	RES, CHIP 1% 75 OHM	
R1166	CRJ10DF75R0T	RES, CHIP 1% 75 OHM	
R1167	CRJ10DF75R0T	RES, CHIP 1% 75 OHM	
R1168	CRJ10DF75R0T	RES, CHIP 1% 75 OHM	
R1169	CRJ10DF75R0T	RES, CHIP 1% 75 OHM	
R1170	CRJ10DF75R0T	RES, CHIP 1% 75 OHM	
R1171	CRJ10DF75R0T	RES, CHIP 1% 75 OHM	
R1172	CRJ10DF75R0T	RES, CHIP 1% 75 OHM	
C1001	CCEA1AH101T	CAP , ELECT	
C1002	CCEA1AH101T	CAP , ELECT	
C1003	CCEA1AH101T	CAP , ELECT	
C1010	CCEA1HH100T	CAP , ELECT	
C1011	CCEA1HH100T	CAP , ELECT	
C1012	CCEA1HH100T	CAP , ELECT	
C1013	CCEA1HH100T	CAP , ELECT	
C1014	CCEA1HH100T	CAP , ELECT	
C1015	CCEA1HH100T	CAP , ELECT	
C1016	CCEA1HH100T	CAP , ELECT	
C1017	CCEA1HH100T	CAP , ELECT	
C1018	CCEA1HH100T	CAP , ELECT	
C1020	CCEA1HH100T	CAP , ELECT	
C1022	CCEA1HH100T	CAP , ELECT	
C1024	CCEA1HH100T	CAP , ELECT	



LOAD No.	PARTS No.	DESCRIPTION	SPECIATION
C1026	CCEA1HH100T	CAP , ELECT	
C1028	CCEA1HH100T	CAP , ELECT	
C1030	CCEA1HH100T	CAP , ELECT	
C1032	CCEA0JH102T	CAP , ELECT	
C1034	CCEA1HH100T	CAP , ELECT	
C1036	CCEA0JH102T	CAP , ELECT	
C1038	CCEA1HH100T	CAP , ELECT	
C1040	CCEA0JH102T	CAP , ELECT	
C1042	CCEA1HH100T	CAP , ELECT	
C1044	CCEA1CH101T	CAP , ELECT	
C1046	CCEA1CH101T	CAP , ELECT	
C1048	CCEA1CH101T	CAP , ELECT	
C1050	CCEA1CH101T	CAP , ELECT	
C1052	CCEA1CH101T	CAP , ELECT	
C1054	CCEA1CH101T	CAP , ELECT	
C1055	CCEA1CH101T	CAP , ELECT	
C1057	CCEA1CH101T	CAP , ELECT	
C1063	CCEA1HH100T	CAP , ELECT	
C1064	CCEA1HH100T	CAP , ELECT	
C1065	CCEA1HH100T	CAP , ELECT	
C1069	CCEA1HH100T	CAP , ELECT	
C1073	CCEA1HH100T	CAP , ELECT	
C1079	CCEA1HHR47T	CAP , ELECT	
C1080	CCEA1AH471T	CAP , ELECT	
C1082	CCEA1CH101T	CAP , ELECT	
C1086	CCEA1HH1R0T	CAP , ELECT	
C1087	CCEA1HH1R0T	CAP , ELECT	
C1088	HCQI1H682JZT	CAP , MYLAR	
C1089	CCEA1HH0R1T	CAP , ELECT	
C1094	CCEA1HH1R0T	CAP , ELECT	
C1095	CCEA1CH470T	CAP , ELECT	
C1101	CCEA1HH100T	CAP , ELECT	
C1102	CCEA1HH100T	CAP , ELECT	
C1103	CCEA1HH100T	CAP , ELECT	
C1111	CCEA1HH100T	CAP , ELECT	
C1112	CCEA1HH100T	CAP , ELECT	
C1113	CCEA1HH100T	CAP , ELECT	
C1127	CCEA1EN100T	CAP , ELECT (NON-POLAR)	
C1132	CCEA1CH101T	CAP , ELECT	
C1134	CCEA1HH100T	CAP , ELECT	
C1136	CCEA1HH100T	CAP , ELECT	
C1138	CCEA1EN100T	CAP , ELECT (NON-POLAR)	
C1186	CCEA1EH470T	CAP , ELECT	
C1189	CCEA1EH470T	CAP , ELECT	
C1190	CCEA1EH470T	CAP , ELECT	
C1193	CCEA1EH470T	CAP , ELECT	
C1194	CCEA1EH470T	CAP , ELECT	
C1197	CCEA1EH470T	CAP , ELECT	
C1209	CCEA1HH100T	CAP , ELECT	
C1211	CCEA1HH100T	CAP , ELECT	
C1213	CCEA1HH100T	CAP , ELECT	
C1221	CCEA1AH471T	CAP , ELECT	
C1222	CCEA1AH471T	CAP , ELECT	
C1223	CCEA1AH101T	CAP , ELECT	
C1224	C3A206	WIRE , COPPER	
L1001	KLQ5R6J405T	COIL , PEAKING(RADIAL)	
Q1001	HVTKSC2785YT	T.R	
Q1001	HVTKTC3199YT	T.R	
X1001	COX28636E330TF	CRYSTAL	

LOAD No.	PARTS No.	DESCRIPTION	SPECIATION
BK101	CMD1A569	BRACKET , PCB	
CN101	CJP09GI236ZW	LOCKING TYPE , STRAIGHT WAFER , 2MM	
CN102	CJP19GA115ZY	WAFER	
CN103	CJP03GI236ZW	LOCKING TYPE , STRAIGHT WAFER , 2MM	
JK101	CJJ9P004Z	JACK , RCA/DIN (2P, 220A, YLx2, S-VHSx2, AU PL)	
JK102	CJJ9P004Z	JACK , RCA/DIN (2P, 220A, YLx2, S-VHSx2, AU PL)	
JK103	CJJ9P004Z	JACK , RCA/DIN (2P, 220A, YLx2, S-VHSx2, AU PL)	
JK104	CJJ4R046Z	JACK , BOARD	
JK105	CJJ4R046Z	JACK , BOARD	
L1002	HLQ02C101JT	COIL , AXAIL	
X1002	HOX17734E220C	CRYSTAL	ONLY C VERSION
X1002	HOX14318E220C	CRYSTAL	ONLY AH VERSION
X1003	HOX14318E220C	CRYSTAL	ONLY C VERSION
	<b>CUP12124Z</b>	<b>T737AH HDMI PCB</b>	
C1262	CCUS1H104KC	CAP , CHIP	
C1263	CCUS1H104KC	CAP , CHIP	
C1264	CCUS1H104KC	CAP , CHIP	
C1269	CCUS1H104KC	CAP , CHIP	
C1271	CCUS1H104KC	CAP , CHIP	
C1274	CCUS1H104KC	CAP , CHIP	
C1275	CCSJA0J220B	CAP , CHIP TANTAL(A TYPE, 22uF/6.3V, ELNA)	
C1277	CCUS1H104KC	CAP , CHIP	
C1279	CCUS1H104KC	CAP , CHIP	
C1286	CCUS1H104KC	CAP , CHIP	
C1287	CCUS1H104KC	CAP , CHIP	
L1202	CLZ9R005Z	FERRITE , CHIP BEAD(60ohm, 1608)	
L1203	CLZ9Z014Z	FERRITE , CHIP BEAD(60ohm, 4516)	
L1205	CLZ9R005Z	FERRITE , CHIP BEAD(60ohm, 1608)	
R1227	CRJ10DJ152T	RES , CHIP	
R1228	CRJ10DJ152T	RES , CHIP	
R1229	CRJ10DJ102T	RES , CHIP	
R1230	CRJ10DJ103T	RES , CHIP	
R1231	CRJ10DJ103T	RES , CHIP	
R1232	CRJ10DJ103T	RES , CHIP	
C1251	CCUS1H104KC	CAP , CHIP	
C1252	CCUS1H104KC	CAP , CHIP	
C1254	CCUS1H104KC	CAP , CHIP	
C1255	CCSJA1C100B	CAP , CHIP TANTAL(A TYPE, 10uF/16V, ELNA)	
C1256	CCUS1H104KC	CAP , CHIP	
C1257	CCSJA1C100B	CAP , CHIP TANTAL(A TYPE, 10uF/16V, ELNA)	
C1258	CCUS1H104KC	CAP , CHIP	
C1259	CCSJA0J220B	CAP , CHIP TANTAL(A TYPE, 22uF/6.3V, ELNA)	
C1260	CCUS1H104KC	CAP , CHIP	
C1261	CCUS1H104KC	CAP , CHIP	
C1265	CCUS1H104KC	CAP , CHIP	
C1266	CCUS1H104KC	CAP , CHIP	
C1267	CCUS1H104KC	CAP , CHIP	
C1270	CCUS1H104KC	CAP , CHIP	
C1272	CCUS1H104KC	CAP , CHIP	
C1273	CCSJA0J220B	CAP , CHIP TANTAL(A TYPE, 22uF/6.3V, ELNA)	
C1276	CCUS1H104KC	CAP , CHIP	
C1278	CCUS1H104KC	CAP , CHIP	
C1280	CCUS1H104KC	CAP , CHIP	
C1281	CCUS1H104KC	CAP , CHIP	
C1282	CCSJA1C100B	CAP , CHIP TANTAL(A TYPE, 10uF/16V, ELNA)	
C1283	CCUS1H104KC	CAP , CHIP	
C1284	CCUS1H104KC	CAP , CHIP	
C1285	CCSJA1C100B	CAP , CHIP TANTAL(A TYPE, 10uF/16V, ELNA)	
C1288	CCSJA1C100B	CAP , CHIP TANTAL(A TYPE, 10uF/16V, ELNA)	

LOAD No.	PARTS No.	DESCRIPTION	SPECIATION
C1290	CCUS1H104KC	CAP , CHIP	
C1291	CCSJA1C100B	CAP , CHIP TANTAL(A TYPE, 10uF/16V, ELNA)	
C1298	CCUS1H104KC	CAP , CHIP	
D1151	HVD1SR159-200	DIODE , RECTIFIER	
D1152	HVD1SR159-200	DIODE , RECTIFIER	
D1156	HVD1SR159-200	DIODE , RECTIFIER	
IC201	CVISII9185ACTU	I.C , HDMI RX SW(80PIN TQFP)	
IC202	HVIKIC7SZ08FU	I.C ,INPUT AND GATE (USV PACKAGE)	
IC203	CVIKIA1117S50	I.C , REGULATOR(SOT-223)	
IC204	CVIKIA1117S50	I.C , REGULATOR(SOT-223)	
IC205	CVIKIA1117S33	I.C , REGULATOR(SOT-223)	
JK201	HJJ9H003Z	JACK , HDMI(JALCO)	
JK202	HJJ9H003Z	JACK , HDMI(JALCO)	
JK203	HJJ9H003Z	JACK , HDMI(JALCO)	
L1201	CLZ9Z014Z	FERRITE , CHIP BEAD(60ohm, 4516)	
L1204	CLZ9R005Z	FERRITE , CHIP BEAD(60ohm, 1608)	
OL201	BLZ9R004Z	BEAD CHIP 90 OHM (2012 SIZE)	
OL202	BLZ9R004Z	BEAD CHIP 90 OHM (2012 SIZE)	
OL203	BLZ9R004Z	BEAD CHIP 90 OHM (2012 SIZE)	
OL204	BLZ9R004Z	BEAD CHIP 90 OHM (2012 SIZE)	
Q1201	HVTKRA102S	T.R , CHIP	
Q1202	CVTKRC103S	T.R , CHIP	
Q1204	HVTKRA102S	T.R , CHIP	
Q1205	CVTKRC103S	T.R , CHIP	
Q1207	CVTUPA672T	F.E.T	
Q1208	HVTKRC111S	TR , CHIP	
R1201	CRJ10DJ102T	RES , CHIP	
R1202	CRJ10DJ223T	RES , CHIP	
R1203	CRJ10DJ101T	RES , CHIP	
R1204	CRJ10DJ473T	RES , CHIP	
R1205	CRJ10DJ470T	RES , CHIP	
R1206	CRJ10DJ470T	RES , CHIP	
R1207	CRJ10DJ223T	RES , CHIP	
R1208	CRJ10DJ101T	RES , CHIP	
R1209	CRJ10DJ473T	RES , CHIP	
R1210	CRJ10DJ470T	RES , CHIP	
R1211	CRJ10DJ470T	RES , CHIP	
R1212	CRJ10DJ101T	RES , CHIP	
R1213	CRJ10DJ473T	RES , CHIP	
R1214	CRJ10DJ182T	RES , CHIP	
R1215	CRJ10DJ103T	RES , CHIP	
R1216	CRJ10DJ103T	RES , CHIP	
R1217	CRJ10DJ182T	RES , CHIP	
R1218	CRJ10DJ473T	RES , CHIP	
R1219	CRJ10DJ473T	RES , CHIP	
R1233	CRJ10DJ102T	RES , CHIP	
R1237	CRJ10DJ0R0T	RES , CHIP	
BK101	CMD1A569	BRACKET , PCB	
BN203	CWB1D00922058	WIRE ASS'Y (9PIN,2.5mm,220mm,STRAIGHT,#22)	
CN201	CJP15GB99ZY	WAFER	
CN202	CJP19GB116ZY	WAFER	
C1293	CCEA0JKR3222E	CAP , ELECT	
C1294	CCEA0JKR3222E	CAP , ELECT	
	CFNCF12610S	FAN (60X60X10)	
	<b>CUP12121X</b>	<b>PCB , AMP T747 (330X247 , FR1/1 LAYER)</b>	
C4841	CCUS1H104KC	CAP , CHIP	
C4842	CCUS1H104KC	CAP , CHIP	
C4843	CCUS1H104KC	CAP , CHIP	
C4844	CCUS1H104KC	CAP , CHIP	

LOAD No.	PARTS No.	DESCRIPTION	SPECIATION
C4845	CCUS1H104KC	CAP , CHIP	ONLY C VERSION ONLY C VERSION
C4851	CCUS1H223KC	CAP , CHIP	
C4853	CCUS1H223KC	CAP , CHIP	
C4871	CCUS1H103KC	CAP , CHIP	
C4872	CCUS1H151JA	CAP , CHIP	
C4898	CCUS1H151JA	CAP , CHIP	
C4911	CCUS1H470JA	CAP , CHIP	
C4912	CCUS1H470JA	CAP , CHIP	
C4913	CCUS1H470JA	CAP , CHIP	
C4915	CCUS1H104KC	CAP , CHIP	
C4990	CCUS1H104KC	CAP , CHIP	
C4991	CCUS1H104KC	CAP , CHIP	
D4801	CVD1SS355T	DIODE , CHIP	
D4802	CVD1SS355T	DIODE , CHIP	
D4803	CVD1SS355T	DIODE , CHIP	
D4804	CVD1SS355T	DIODE , CHIP	
D4805	CVD1SS355T	DIODE , CHIP	
D4806	CVD1SS355T	DIODE , CHIP	
D4807	CVD1SS355T	DIODE , CHIP	
D4811	CVD1SS355T	DIODE , CHIP	
D4812	CVD1SS355T	DIODE , CHIP	
D4813	CVD1SS355T	DIODE , CHIP	
D4814	CVD1SS355T	DIODE , CHIP	
D4815	CVD1SS355T	DIODE , CHIP	
D4816	CVD1SS355T	DIODE , CHIP	
D4817	CVD1SS355T	DIODE , CHIP	
D4900	CVD1SS355T	DIODE , CHIP	
D4910	CVD1SS355T	DIODE , CHIP	
D4930	CVD1SS355T	DIODE , CHIP	
D4940	CVD1SS355T	DIODE , CHIP	
D4950	CVD1SS355T	DIODE , CHIP	
IC484	HVIST202EBW	IC , RS232C	
Q4871	HVTKRA107S	TR, CHIP	
Q4872	HVTKRA107S	TR, CHIP	
Q4898	HVTKRA107S	TR, CHIP	
Q4901	HVTKRC107S	T.R , CHIP	
Q4902	HVTKRC107S	T.R , CHIP	
Q4904	HVTKRC107S	T.R , CHIP	
Q4905	HVTKRC107S	T.R , CHIP	
Q4906	HVTKRC107S	T.R , CHIP	
R4845	CRJ10DJ100T	RES , CHIP	
R4846	CRJ10DJ1R0T	RES , CHIP	
R4847	CRJ10DJ1R0T	RES , CHIP	
R4851	CRJ10DJ473T	RES , CHIP	
R4871	CRJ10DJ271T	RES , CHIP	
R4872	CRJ10DJ103T	RES , CHIP	
R4873	CRJ10DJ0R0T	RES , CHIP	
R4874	CRJ10DJ0R0T	RES , CHIP	
R4876	CRJ10DJ0R0T	RES , CHIP	
R4878	CRJ10DJ0R0T	RES , CHIP	
R4880	CRJ10DJ0R0T	RES , CHIP	
R4898	CRJ10DJ0R0T	RES , CHIP	
R4911	CRJ10DJ101T	RES , CHIP	
R4912	CRJ10DJ101T	RES , CHIP	
R4913	CRJ10DJ101T	RES , CHIP	
R4914	CRJ10DJ100T	RES , CHIP	
R4915	CRJ10DJ103T	RES , CHIP	
R4992	CRJ10DJ0R0T	RES , CHIP	
R4993	CRJ10DJ0R0T	RES , CHIP	

LOAD No.	PARTS No.	DESCRIPTION	SPECIATION
C4101	CCEA1HH100T	CAP , ELECT	
C4102	CCKT1H221KB	CAP , CERAMIC	
C4103	CCKT1H101KB	CAP , CERAMIC	
C4104	CCEA1CKS470T	CAP , ELECT	
C4105	CCCT1H330JC	CAP , CERAMIC	
C4108	CCKT1H122KB	CAP , CERAMIC	
C4112	CCEA1HH100T	CAP , ELECT	
C4113	CCEA1HH470T	CAP , ELECT	
C4114	CCKT1H101KB	CAP , CERAMIC	
C4116	CCKT1H101KB	CAP , CERAMIC	
C4129	HCQI1H473JZT	CAP , MYLAR	
C4201	CCEA1HH100T	CAP , ELECT	
C4202	CCKT1H221KB	CAP , CERAMIC	
C4203	CCKT1H101KB	CAP , CERAMIC	
C4204	CCEA1CKS470T	CAP , ELECT	
C4205	CCCT1H330JC	CAP , CERAMIC	
C4208	CCKT1H122KB	CAP , CERAMIC	
C4212	CCEA1HH100T	CAP , ELECT	
C4213	CCEA1HH470T	CAP , ELECT	
C4214	CCKT1H101KB	CAP , CERAMIC	
C4216	CCKT1H101KB	CAP , CERAMIC	
C4229	HCQI1H473JZT	CAP , MYLAR	
C4301	CCEA1HH100T	CAP , ELECT	
C4302	CCKT1H221KB	CAP , CERAMIC	
C4303	CCKT1H101KB	CAP , CERAMIC	
C4304	CCEA1CKS470T	CAP , ELECT	
C4305	CCCT1H330JC	CAP , CERAMIC	
C4308	CCKT1H122KB	CAP , CERAMIC	
C4312	CCEA1HH100T	CAP , ELECT	
C4313	CCEA1HH470T	CAP , ELECT	
C4314	CCKT1H101KB	CAP , CERAMIC	
C4316	CCKT1H101KB	CAP , CERAMIC	
C4329	HCQI1H473JZT	CAP , MYLAR	
C4401	CCEA1HH100T	CAP , ELECT	
C4402	CCKT1H221KB	CAP , CERAMIC	
C4403	CCKT1H101KB	CAP , CERAMIC	
C4404	CCEA1CKS470T	CAP , ELECT	
C4405	CCCT1H330JC	CAP , CERAMIC	
C4408	CCKT1H122KB	CAP , CERAMIC	
C4412	CCEA1HH100T	CAP , ELECT	
C4413	CCEA1HH470T	CAP , ELECT	
C4414	CCKT1H101KB	CAP , CERAMIC	
C4416	CCKT1H101KB	CAP , CERAMIC	
C4429	HCQI1H473JZT	CAP , MYLAR	
C4501	CCEA1HH100T	CAP , ELECT	
C4502	CCKT1H221KB	CAP , CERAMIC	
C4503	CCKT1H101KB	CAP , CERAMIC	
C4504	CCEA1CKS470T	CAP , ELECT	
C4505	CCCT1H330JC	CAP , CERAMIC	
C4508	CCKT1H122KB	CAP , CERAMIC	
C4512	CCEA1HH100T	CAP , ELECT	
C4513	CCEA1HH470T	CAP , ELECT	
C4514	CCKT1H101KB	CAP , CERAMIC	
C4516	CCKT1H101KB	CAP , CERAMIC	
C4529	HCQI1H473JZT	CAP , MYLAR	
C4601	CCEA1HH100T	CAP , ELECT	
C4602	CCKT1H221KB	CAP , CERAMIC	
C4603	CCKT1H101KB	CAP , CERAMIC	
C4604	CCEA1CKS470T	CAP , ELECT	

LOAD No.	PARTS No.	DESCRIPTION	SPECIATION
C4605	CCCT1H330JC	CAP , CERAMIC	
C4608	CCKT1H122KB	CAP , CERAMIC	
C4612	CCEA1HH100T	CAP , ELECT	
C4613	CCEA1HH470T	CAP , ELECT	
C4614	CCKT1H101KB	CAP , CERAMIC	
C4616	CCKT1H101KB	CAP , CERAMIC	
C4629	HCQI1H473JZT	CAP , MYLAR	
C4701	CCEA1HH100T	CAP , ELECT	
C4702	CCKT1H221KB	CAP , CERAMIC	
C4704	CCEA1CKS470T	CAP , ELECT	
C4705	CCCT1H330JC	CAP , CERAMIC	
C4708	CCKT1H122KB	CAP , CERAMIC	
C4709	CCKT1H101KB	CAP , CERAMIC	
C4712	CCEA1HH100T	CAP , ELECT	
C4713	CCEA1HH470T	CAP , ELECT	
C4714	CCKT1H101KB	CAP , CERAMIC	
C4716	CCKT1H101KB	CAP , CERAMIC	
C4729	HCQI1H473JZT	CAP , MYLAR	
C4821	CCFT1H103ZF	CAP , CERAMIC	
C4823	CCEA1HKS2R2T	CAP , ELECT	
C4824	CCFT1H103ZF	CAP , CERAMIC	
C4850	CCEA1CH101T	CAP , ELECT	
C4852	CCEA1CH101T	CAP , ELECT	
C4861	CCEA1HH100T	CAP , ELECT	
C4862	CCEA1VH101T	CAP , ELECT	
C4893	CCBS1H103ZFT	CAP , CERAMIC	
C4914	CCEA1AH221T	CAP , ELECT	
C4920	CCFT1H104ZF	CAP , SEMICONDUCTOR	
C4937	CCEA1CH221T	CAP , ELECT	
C4940	CCFT1H104ZF	CAP , SEMICONDUCTOR	
C4944	CCEA1CH101T	CAP , ELECT	
C4947	CCEA1CH221T	CAP , ELECT	
C4950	CCFT1H104ZF	CAP , SEMICONDUCTOR	
C4951	CCEA1HH4R7T	CAP , ELECT	
C4955	CCFT1H104ZF	CAP , SEMICONDUCTOR	
C4957	CCEA0JH102T	CAP , ELECT	
C4961	KCME2E104JP04T	CAP , METALLIZED FILM	
C4962	KCME2E104JP04T	CAP , METALLIZED FILM	
C4963	KCME2E104JP04T	CAP , METALLIZED FILM	
C4964	KCME2E104JP04T	CAP , METALLIZED FILM	
D4115	CVDZJ3.3BT	DIODE , ZENER	
D4116	CVDZJ3.3BT	DIODE , ZENER	
D4117	CVD1SS133MT	DIODE	
D4118	CVD1SS133MT	DIODE	
D4123	CVD1SS133MT	DIODE	
D4215	CVDZJ3.3BT	DIODE , ZENER	
D4216	CVDZJ3.3BT	DIODE , ZENER	
D4217	CVD1SS133MT	DIODE	
D4218	CVD1SS133MT	DIODE	
D4223	CVD1SS133MT	DIODE	
D4315	CVDZJ3.3BT	DIODE , ZENER	
D4316	CVDZJ3.3BT	DIODE , ZENER	
D4317	CVD1SS133MT	DIODE	
D4318	CVD1SS133MT	DIODE	
D4323	CVD1SS133MT	DIODE	
D4415	CVDZJ3.3BT	DIODE , ZENER	
D4416	CVDZJ3.3BT	DIODE , ZENER	
D4417	CVD1SS133MT	DIODE	
D4418	CVD1SS133MT	DIODE	

ONLY C VERSION  
ONLY C VERSION

LOAD No.	PARTS No.	DESCRIPTION	SPECIFICATION
D4423	CVD1SS133MT	DIODE	
D4515	CVDZJ3.3BT	DIODE , ZENER	
D4516	CVDZJ3.3BT	DIODE , ZENER	
D4517	CVD1SS133MT	DIODE	
D4518	CVD1SS133MT	DIODE	
D4523	CVD1SS133MT	DIODE	
D4615	CVDZJ3.3BT	DIODE , ZENER	
D4616	CVDZJ3.3BT	DIODE , ZENER	
D4617	CVD1SS133MT	DIODE	
D4618	CVD1SS133MT	DIODE	
D4623	CVD1SS133MT	DIODE	
D4715	CVDZJ3.3BT	DIODE , ZENER	
D4716	CVDZJ3.3BT	DIODE , ZENER	
D4717	CVD1SS133MT	DIODE	
D4718	CVD1SS133MT	DIODE	
D4723	CVD1SS133MT	DIODE	
D4770	CVD1SS133MT	DIODE	
D4821	CVD1SS133MT	DIODE	
D4861	CVD1SS133MT	DIODE	
D4862	CVD1SS133MT	DIODE	
D4863	HVDMTZJ5.1BT	DIODE , ZENER	
D4922	CVD1SS133MT	DIODE	
D4931	CVD1SS133MT	DIODE	
D4942	CVD1SS133MT	DIODE	
D4943	CVDZJ6.8BT	DIODE , ZENER	
D4951	CVD1SS133MT	DIODE	
D4955	C3A206	WIRE , COPPER	
GND49	HJT1A025	PALTE , EARTH	
J4101	C3A206	WIRE , COPPER	
J4102	C3A206	WIRE , COPPER	
J4103	C3A206	WIRE , COPPER	
J4104	C3A206	WIRE , COPPER	
J4105	C3A206	WIRE , COPPER	
J4106	C3A206	WIRE , COPPER	
J4107	C3A206	WIRE , COPPER	
J4108	C3A206	WIRE , COPPER	
J4109	C3A206	WIRE , COPPER	
J4110	C3A206	WIRE , COPPER	
J4111	C3A206	WIRE , COPPER	
J4112	C3A206	WIRE , COPPER	
J4113	CRD20TJ242T	RES , CARBON	
J4114	C3A206	WIRE , COPPER	
J4115	C3A206	WIRE , COPPER	
J4116	C3A206	WIRE , COPPER	
J4117	C3A206	WIRE , COPPER	
J4118	C3A206	WIRE , COPPER	
J4119	C3A206	WIRE , COPPER	
J4120	C3A206	WIRE , COPPER	
J4121	C3A206	WIRE , COPPER	
J4122	C3A206	WIRE , COPPER	
J4123	C3A206	WIRE , COPPER	
J4125	C3A206	WIRE , COPPER	
J4126	C3A206	WIRE , COPPER	
J4127	C3A206	WIRE , COPPER	
J4128	C3A206	WIRE , COPPER	
J4129	C3A206	WIRE , COPPER	
J4130	C3A206	WIRE , COPPER	
J4131	CRD20TJ242T	RES , CARBON	
J4132	C3A206	WIRE , COPPER	

LOAD No.	PARTS No.	DESCRIPTION	SPECIATION
J4133	C3A206	WIRE , COPPER	
J4135	C3A206	WIRE , COPPER	
J4136	C3A206	WIRE , COPPER	
J4137	C3A206	WIRE , COPPER	
J4138	C3A206	WIRE , COPPER	
J4139	C3A206	WIRE , COPPER	
J4140	C3A206	WIRE , COPPER	
J4141	C3A206	WIRE , COPPER	
J4142	C3A206	WIRE , COPPER	
J4144	C3A206	WIRE , COPPER	
J4145	C3A206	WIRE , COPPER	
J4201	C3A206	WIRE , COPPER	
J4202	C3A206	WIRE , COPPER	
J4204	C3A206	WIRE , COPPER	
J4205	C3A206	WIRE , COPPER	
J4206	C3A206	WIRE , COPPER	
J4207	C3A206	WIRE , COPPER	
J4209	C3A206	WIRE , COPPER	
J4211	C3A206	WIRE , COPPER	
J4212	C3A206	WIRE , COPPER	
J4213	C3A206	WIRE , COPPER	
J4215	C3A206	WIRE , COPPER	
J4216	C3A206	WIRE , COPPER	
J4217	C3A206	WIRE , COPPER	
J4218	C3A206	WIRE , COPPER	
J4219	C3A206	WIRE , COPPER	
J4220	C3A206	WIRE , COPPER	
J4221	C3A206	WIRE , COPPER	
J4222	C3A206	WIRE , COPPER	
J4223	C3A206	WIRE , COPPER	
J4224	C3A206	WIRE , COPPER	
J4225	C3A206	WIRE , COPPER	
J4226	C3A206	WIRE , COPPER	
J4227	C3A206	WIRE , COPPER	
J4228	C3A206	WIRE , COPPER	
J4229	C3A206	WIRE , COPPER	
J4230	C3A206	WIRE , COPPER	
J4231	C3A206	WIRE , COPPER	
J4232	C3A206	WIRE , COPPER	
J4233	C3A206	WIRE , COPPER	
J4237	C3A206	WIRE , COPPER	
J4238	C3A206	WIRE , COPPER	
J4239	C3A206	WIRE , COPPER	
J4240	C3A206	WIRE , COPPER	
J4301	C3A206	WIRE , COPPER	
J4302	C3A206	WIRE , COPPER	
J4304	C3A206	WIRE , COPPER	
J4305	C3A206	WIRE , COPPER	
J4306	C3A206	WIRE , COPPER	
J4307	C3A206	WIRE , COPPER	
J4308	C3A206	WIRE , COPPER	
J4309	C3A206	WIRE , COPPER	
J4310	C3A206	WIRE , COPPER	
J4311	C3A206	WIRE , COPPER	
J4312	C3A206	WIRE , COPPER	
J4313	C3A206	WIRE , COPPER	
J4314	C3A206	WIRE , COPPER	
J4315	C3A206	WIRE , COPPER	
J4316	C3A206	WIRE , COPPER	



LOAD No.	PARTS No.	DESCRIPTION	SPECIFICATION
J4317	C3A206	WIRE , COPPER	
J4318	C3A206	WIRE , COPPER	
J4319	C3A206	WIRE , COPPER	
J4320	C3A206	WIRE , COPPER	
J4322	C3A206	WIRE , COPPER	
J4323	C3A206	WIRE , COPPER	
J4324	C3A206	WIRE , COPPER	
J4325	C3A206	WIRE , COPPER	
J4326	C3A206	WIRE , COPPER	
J4327	C3A206	WIRE , COPPER	
J4328	C3A206	WIRE , COPPER	
J4329	C3A206	WIRE , COPPER	
J4401	C3A206	WIRE , COPPER	
J4402	C3A206	WIRE , COPPER	
J4404	CRD20TJ242T	RES , CARBON	
J4405	C3A206	WIRE , COPPER	
J4406	C3A206	WIRE , COPPER	
J4407	C3A206	WIRE , COPPER	
J4408	C3A206	WIRE , COPPER	
J4409	C3A206	WIRE , COPPER	
J4410	C3A206	WIRE , COPPER	
J4411	C3A206	WIRE , COPPER	
J4412	C3A206	WIRE , COPPER	
J4413	CRD20TJ242T	RES , CARBON	
J4414	CRD20TJ242T	RES , CARBON	
J4415	CRD20TJ242T	RES , CARBON	
J4416	C3A206	WIRE , COPPER	
J4417	C3A206	WIRE , COPPER	
J4418	C3A206	WIRE , COPPER	
J4419	C3A206	WIRE , COPPER	
J4420	C3A206	WIRE , COPPER	
J4421	C3A206	WIRE , COPPER	
J4422	C3A206	WIRE , COPPER	
J4423	C3A206	WIRE , COPPER	
J4424	C3A206	WIRE , COPPER	
J4425	C3A206	WIRE , COPPER	
J4426	C3A206	WIRE , COPPER	
J4427	C3A206	WIRE , COPPER	
J4428	C3A206	WIRE , COPPER	
J4429	C3A206	WIRE , COPPER	
J4430	C3A206	WIRE , COPPER	
J4431	C3A206	WIRE , COPPER	
J4432	C3A206	WIRE , COPPER	
J4433	CRD20TJ242T	RES , CARBON	
J4434	C3A206	WIRE , COPPER	
J4435	C3A206	WIRE , COPPER	
J4436	C3A206	WIRE , COPPER	
J4437	C3A206	WIRE , COPPER	
J4438	C3A206	WIRE , COPPER	
J4439	C3A206	WIRE , COPPER	
J4440	C3A206	WIRE , COPPER	
J4441	C3A206	WIRE , COPPER	
J4442	C3A206	WIRE , COPPER	
J4443	C3A206	WIRE , COPPER	
J4444	C3A206	WIRE , COPPER	
J4445	CRD20TJ100T	RES , CARBON	
J4446	C3A206	WIRE , COPPER	
J4447	C3A206	WIRE , COPPER	
J4501	C3A206	WIRE , COPPER	

LOAD No.	PARTS No.	DESCRIPTION	SPECIATION
J4502	C3A206	WIRE , COPPER	
J4503	C3A206	WIRE , COPPER	
J4504	C3A206	WIRE , COPPER	
J4507	C3A206	WIRE , COPPER	
J4508	C3A206	WIRE , COPPER	
J4509	C3A206	WIRE , COPPER	
J4510	C3A206	WIRE , COPPER	
J4511	C3A206	WIRE , COPPER	
J4512	C3A206	WIRE , COPPER	
J4601	C3A206	WIRE , COPPER	
J4602	C3A206	WIRE , COPPER	
J4603	C3A206	WIRE , COPPER	
J4604	C3A206	WIRE , COPPER	
J4605	C3A206	WIRE , COPPER	
J4606	C3A206	WIRE , COPPER	
J4607	C3A206	WIRE , COPPER	
J4608	C3A206	WIRE , COPPER	
J4609	C3A206	WIRE , COPPER	
J4610	C3A206	WIRE , COPPER	
J4611	C3A206	WIRE , COPPER	
J4612	C3A206	WIRE , COPPER	
J4613	C3A206	WIRE , COPPER	
J4614	C3A206	WIRE , COPPER	
J4615	C3A206	WIRE , COPPER	
J4617	C3A206	WIRE , COPPER	
J4619	C3A206	WIRE , COPPER	
J4620	C3A206	WIRE , COPPER	
J4621	C3A206	WIRE , COPPER	
J4622	C3A206	WIRE , COPPER	
J4624	C3A206	WIRE , COPPER	
J4627	C3A206	WIRE , COPPER	
J4628	C3A206	WIRE , COPPER	
J4631	C3A206	WIRE , COPPER	
J4632	C3A206	WIRE , COPPER	
J4633	C3A206	WIRE , COPPER	
J4634	C3A206	WIRE , COPPER	
J4635	C3A206	WIRE , COPPER	
J4636	C3A206	WIRE , COPPER	
J4637	C3A206	WIRE , COPPER	
J4640	C3A206	WIRE , COPPER	
J4641	C3A206	WIRE , COPPER	
J4642	C3A206	WIRE , COPPER	
J4643	C3A206	WIRE , COPPER	
J4644	C3A206	WIRE , COPPER	
J4645	C3A206	WIRE , COPPER	
J4646	C3A206	WIRE , COPPER	
J4701	C3A206	WIRE , COPPER	
J4702	C3A206	WIRE , COPPER	
J4703	C3A206	WIRE , COPPER	
J4704	C3A206	WIRE , COPPER	
J4705	C3A206	WIRE , COPPER	
J4802	C3A206	WIRE , COPPER	
J4803	C3A206	WIRE , COPPER	
J4804	C3A206	WIRE , COPPER	
J4805	C3A206	WIRE , COPPER	
J4806	C3A206	WIRE , COPPER	
J4807	C3A206	WIRE , COPPER	
J4808	C3A206	WIRE , COPPER	
J4901	C3A206	WIRE , COPPER	

ONLY C VERSION

LOAD No.	PARTS No.	DESCRIPTION	SPECIFICATION
J4902	C3A206	WIRE , COPPER	
J4903	C3A206	WIRE , COPPER	
J4904	C3A206	WIRE , COPPER	
J4905	C3A206	WIRE , COPPER	
J4906	C3A206	WIRE , COPPER	
J4907	C3A206	WIRE , COPPER	
J4908	C3A206	WIRE , COPPER	
J4909	C3A206	WIRE , COPPER	
J4910	C3A206	WIRE , COPPER	
J4911	C3A206	WIRE , COPPER	
J4912	C3A206	WIRE , COPPER	
J4913	C3A206	WIRE , COPPER	
J4914	C3A206	WIRE , COPPER	
J4915	C3A206	WIRE , COPPER	
J4916	C3A206	WIRE , COPPER	
J4917	C3A206	WIRE , COPPER	
J4918	C3A206	WIRE , COPPER	
J4919	C3A206	WIRE , COPPER	
J4920	C3A206	WIRE , COPPER	
J4921	C3A206	WIRE , COPPER	
J4922	C3A206	WIRE , COPPER	
J4923	C3A206	WIRE , COPPER	
J4924	C3A206	WIRE , COPPER	
J4925	C3A206	WIRE , COPPER	
J4926	C3A206	WIRE , COPPER	
J4927	C3A206	WIRE , COPPER	
J4928	C3A206	WIRE , COPPER	
J4929	C3A206	WIRE , COPPER	
J4930	C3A206	WIRE , COPPER	
J4931	C3A206	WIRE , COPPER	
J4932	C3A206	WIRE , COPPER	
Q4101	CVTKTA1268GRATPA	T.R	
Q4102	CVTKTA1268GRATPA	T.R	
Q4110	HVTKTC3200GRT	T.R	
Q4124	HVTKSC2785YT	T.R	
Q4124	HVTKTC3199YT	T.R	
Q4201	CVTKTA1268GRATPA	T.R	
Q4202	CVTKTA1268GRATPA	T.R	
Q4210	HVTKTC3200GRT	T.R	
Q4224	HVTKSC2785YT	T.R	
Q4224	HVTKTC3199YT	T.R	
Q4301	CVTKTA1268GRATPA	T.R	
Q4302	CVTKTA1268GRATPA	T.R	
Q4310	HVTKTC3200GRT	T.R	
Q4324	HVTKSC2785YT	T.R	
Q4324	HVTKTC3199YT	T.R	
Q4401	CVTKTA1268GRATPA	T.R	
Q4402	CVTKTA1268GRATPA	T.R	
Q4410	HVTKTC3200GRT	T.R	
Q4424	HVTKSC2785YT	T.R	
Q4424	HVTKTC3199YT	T.R	
Q4501	CVTKTA1268GRATPA	T.R	
Q4502	CVTKTA1268GRATPA	T.R	
Q4510	HVTKTC3200GRT	T.R	
Q4524	HVTKSC2785YT	T.R	
Q4524	HVTKTC3199YT	T.R	
Q4601	CVTKTA1268GRATPA	T.R	
Q4602	CVTKTA1268GRATPA	T.R	
Q4610	HVTKTC3200GRT	T.R	

ONLY C VERSION

LOAD No.	PARTS No.	DESCRIPTION	SPECIFICATION
Q4624	HVTKSC2785YT	T.R	
Q4624	HVTKTC3199YT	T.R	
Q4701	CVTKTA1268GRATPA	T.R	
Q4702	CVTKTA1268GRATPA	T.R	
Q4710	HVTKTC3200GRT	T.R	
Q4724	HVTKSC2785YT	T.R	
Q4724	HVTKTC3199YT	T.R	
Q4769	HVTKSC2785YT	T.R	
Q4769	HVTKTC3199YT	T.R	
Q4821	HVTKTC3200GRT	T.R	
Q4822	HVTKTA1268GRT	T.R	
Q4825	HVTKTA1268GRT	T.R	
Q4826	HVTKTA1268GRT	T.R	
Q4861	HVTKRC111MT	T.R	
Q4862	HVTKRC107MT	T.R	
Q4892	HVTKRC107MT	T.R	
Q4893	CVTKTA1272YT	T.R , KTA1272Y-AP/P(TO-92M)	
Q4925	HVTKSC2785YT	T.R	
Q4925	HVTKTC3199YT	T.R	
Q4931	HVTKRC107MT	T.R	
Q4934	CVTKTA1272YT	T.R , KTA1272Y-AP/P(TO-92M)	
Q4942	HVTKRC107MT	T.R	
Q4944	CVTKTA1272YT	T.R , KTA1272Y-AP/P(TO-92M)	
Q4950	HVTKSA1175YT	T.R	
Q4950	HVTKTA1267YT	T.R	
Q4954	HVTKSC2785YT	T.R	
Q4954	HVTKTC3199YT	T.R	
Q4955	HVTKSA1175YT	T.R	
Q4955	HVTKTA1267YT	T.R	
Q4956	HVTKSC2785YT	T.R	
Q4956	HVTKTC3199YT	T.R	
Q4957	HVTKSC2785YT	T.R	
Q4957	HVTKTC3199YT	T.R	
R4101	CRD20TJ221T	RES , CARBON	
R4102	CRD20TJ912T	RES , CARBON	
R4103	CRD20TJ333T	RES , CARBON	
R4104	CRD20TJ152T	RES , CARBON	
R4105	CRD20TJ333T	RES , CARBON	
R4106	CRD20TJ474T	RES , CARBON	
R4107	CRD20TJ473T	RES , CARBON	
R4108	CRD20TJ471T	RES , CARBON	
R4109	CRD20TJ112T	RES , CARBON	
R4110	CRD25FJ100T	RES , CARBON	
R4111	CRD20TJ102T	RES , CARBON	
R4112	CRD20TJ332T	RES , CARBON	
R4113	CRG1SANJ562RT	RES , METAL OXIDE FILM	
R4114	CRG1SANJ562RT	RES , METAL OXIDE FILM	
R4115	CRD25FJ4R7T	RES , CARBON	
R4116	CRD25FJ4R7T	RES , CARBON	
R4117	KRG1SANJ100RT	RES , METAL OXIDE FILM	
R4122	CRD20TJ103T	RES , CARBON	
R4123	CRD20TJ334T	RES , CARBON	
R4124	CRD20TJ223T	RES , CARBON	
R4125	CRD20TJ223T	RES , CARBON	
R4126	CRD25TJ220T	RES , CARBON	
R4127	CRD25TJ220T	RES , CARBON	
R4128	KRG1SANJ100RT	RES , METAL OXIDE FILM	
R4201	CRD20TJ221T	RES , CARBON	
R4202	CRD20TJ912T	RES , CARBON	

LOAD No.	PARTS No.	DESCRIPTION	SPECIATION
R4203	CRD20TJ333T	RES , CARBON	
R4204	CRD20TJ152T	RES , CARBON	
R4205	CRD20TJ333T	RES , CARBON	
R4206	CRD20TJ474T	RES , CARBON	
R4207	CRD20TJ473T	RES , CARBON	
R4208	CRD20TJ471T	RES , CARBON	
R4209	CRD20TJ112T	RES , CARBON	
R4210	CRD25FJ100T	RES , CARBON	
R4211	CRD20TJ102T	RES , CARBON	
R4212	CRD20TJ332T	RES , CARBON	
R4213	CRG1SANJ562RT	RES , METAL OXIDE FILM	
R4214	CRG1SANJ562RT	RES , METAL OXIDE FILM	
R4215	CRD25FJ4R7T	RES , CARBON	
R4216	CRD25FJ4R7T	RES , CARBON	
R4217	KRG1SANJ100RT	RES , METAL OXIDE FILM	
R4222	CRD20TJ103T	RES , CARBON	
R4223	CRD20TJ334T	RES , CARBON	
R4224	CRD20TJ223T	RES , CARBON	
R4225	CRD20TJ223T	RES , CARBON	
R4226	CRD25TJ220T	RES , CARBON	
R4227	CRD25TJ220T	RES , CARBON	
R4228	KRG1SANJ100RT	RES , METAL OXIDE FILM	
R4301	CRD20TJ221T	RES , CARBON	
R4302	CRD20TJ912T	RES , CARBON	
R4303	CRD20TJ333T	RES , CARBON	
R4304	CRD20TJ152T	RES , CARBON	
R4305	CRD20TJ333T	RES , CARBON	
R4306	CRD20TJ474T	RES , CARBON	
R4307	CRD20TJ473T	RES , CARBON	
R4308	CRD20TJ471T	RES , CARBON	
R4309	CRD20TJ112T	RES , CARBON	
R4310	CRD25FJ100T	RES , CARBON	
R4311	CRD20TJ102T	RES , CARBON	
R4312	CRD20TJ332T	RES , CARBON	
R4313	CRG1SANJ562RT	RES , METAL OXIDE FILM	
R4314	CRG1SANJ562RT	RES , METAL OXIDE FILM	
R4315	CRD25FJ4R7T	RES , CARBON	
R4316	CRD25FJ4R7T	RES , CARBON	
R4317	KRG1SANJ100RT	RES , METAL OXIDE FILM	
R4322	CRD20TJ103T	RES , CARBON	
R4323	CRD20TJ334T	RES , CARBON	
R4324	CRD20TJ223T	RES , CARBON	
R4325	CRD20TJ223T	RES , CARBON	
R4326	CRD25TJ220T	RES , CARBON	
R4327	CRD25TJ220T	RES , CARBON	
R4328	KRG1SANJ100RT	RES , METAL OXIDE FILM	
R4401	CRD20TJ221T	RES , CARBON	
R4402	CRD20TJ912T	RES , CARBON	
R4403	CRD20TJ333T	RES , CARBON	
R4404	CRD20TJ152T	RES , CARBON	
R4405	CRD20TJ333T	RES , CARBON	
R4406	CRD20TJ474T	RES , CARBON	
R4407	CRD20TJ473T	RES , CARBON	
R4408	CRD20TJ471T	RES , CARBON	
R4409	CRD20TJ112T	RES , CARBON	
R4410	CRD25FJ100T	RES , CARBON	
R4411	CRD20TJ102T	RES , CARBON	
R4412	CRD20TJ332T	RES , CARBON	
R4413	CRG1SANJ562RT	RES , METAL OXIDE FILM	

LOAD No.	PARTS No.	DESCRIPTION	SPECIATION
R4414	CRG1SANJ562RT	RES , METAL OXIDE FILM	
R4415	CRD25FJ4R7T	RES , CARBON	
R4416	CRD25FJ4R7T	RES , CARBON	
R4417	KRG1SANJ100RT	RES , METAL OXIDE FILM	
R4422	CRD20TJ103T	RES , CARBON	
R4423	CRD20TJ334T	RES , CARBON	
R4424	CRD20TJ223T	RES , CARBON	
R4425	CRD20TJ223T	RES , CARBON	
R4426	CRD25TJ220T	RES , CARBON	
R4427	CRD25TJ220T	RES , CARBON	
R4428	KRG1SANJ100RT	RES , METAL OXIDE FILM	
R4501	CRD20TJ221T	RES , CARBON	
R4502	CRD20TJ912T	RES , CARBON	
R4503	CRD20TJ333T	RES , CARBON	
R4504	CRD20TJ152T	RES , CARBON	
R4505	CRD20TJ333T	RES , CARBON	
R4506	CRD20TJ474T	RES , CARBON	
R4507	CRD20TJ473T	RES , CARBON	
R4508	CRD20TJ471T	RES , CARBON	
R4509	CRD20TJ112T	RES , CARBON	
R4510	CRD25FJ100T	RES , CARBON	
R4511	CRD20TJ102T	RES , CARBON	
R4512	CRD20TJ332T	RES , CARBON	
R4513	CRG1SANJ562RT	RES , METAL OXIDE FILM	
R4514	CRG1SANJ562RT	RES , METAL OXIDE FILM	
R4515	CRD25FJ4R7T	RES , CARBON	
R4516	CRD25FJ4R7T	RES , CARBON	
R4517	KRG1SANJ100RT	RES , METAL OXIDE FILM	
R4522	CRD20TJ103T	RES , CARBON	
R4523	CRD20TJ334T	RES , CARBON	
R4524	CRD20TJ223T	RES , CARBON	
R4525	CRD20TJ223T	RES , CARBON	
R4526	CRD25TJ220T	RES , CARBON	
R4527	CRD25TJ220T	RES , CARBON	
R4528	KRG1SANJ100RT	RES , METAL OXIDE FILM	
R4601	CRD20TJ221T	RES , CARBON	
R4602	CRD20TJ912T	RES , CARBON	
R4603	CRD20TJ333T	RES , CARBON	
R4604	CRD20TJ152T	RES , CARBON	
R4605	CRD20TJ333T	RES , CARBON	
R4606	CRD20TJ474T	RES , CARBON	
R4607	CRD20TJ473T	RES , CARBON	
R4608	CRD20TJ471T	RES , CARBON	
R4609	CRD20TJ112T	RES , CARBON	
R4610	CRD25FJ100T	RES , CARBON	
R4611	CRD20TJ102T	RES , CARBON	
R4612	CRD20TJ332T	RES , CARBON	
R4613	CRG1SANJ562RT	RES , METAL OXIDE FILM	
R4614	CRG1SANJ562RT	RES , METAL OXIDE FILM	
R4615	CRD25FJ4R7T	RES , CARBON	
R4616	CRD25FJ4R7T	RES , CARBON	
R4617	KRG1SANJ100RT	RES , METAL OXIDE FILM	
R4622	CRD20TJ103T	RES , CARBON	
R4623	CRD20TJ334T	RES , CARBON	
R4624	CRD20TJ223T	RES , CARBON	
R4625	CRD20TJ223T	RES , CARBON	
R4626	CRD25TJ220T	RES , CARBON	
R4627	CRD25TJ220T	RES , CARBON	
R4628	KRG1SANJ100RT	RES , METAL OXIDE FILM	

LOAD No.	PARTS No.	DESCRIPTION	SPECIATION
R4701	CRD20TJ221T	RES , CARBON	
R4702	CRD20TJ912T	RES , CARBON	
R4703	CRD20TJ333T	RES , CARBON	
R4704	CRD20TJ152T	RES , CARBON	
R4705	CRD20TJ333T	RES , CARBON	
R4706	CRD20TJ474T	RES , CARBON	
R4707	CRD20TJ473T	RES , CARBON	
R4708	CRD20TJ471T	RES , CARBON	
R4709	CRD20TJ112T	RES , CARBON	
R4710	CRD25FJ100T	RES , CARBON	
R4711	CRD20TJ102T	RES , CARBON	
R4712	CRD20TJ332T	RES , CARBON	
R4713	CRG1SANJ562RT	RES , METAL OXIDE FILM	
R4714	CRG1SANJ562RT	RES , METAL OXIDE FILM	
R4715	CRD25FJ4R7T	RES , CARBON	
R4716	CRD25FJ4R7T	RES , CARBON	
R4717	KRG1SANJ100RT	RES , METAL OXIDE FILM	
R4722	CRD20TJ103T	RES , CARBON	
R4723	CRD20TJ334T	RES , CARBON	
R4724	CRD20TJ223T	RES , CARBON	
R4725	CRD20TJ223T	RES , CARBON	
R4726	CRD25TJ220T	RES , CARBON	
R4727	CRD25TJ220T	RES , CARBON	
R4728	KRG1SANJ100RT	RES , METAL OXIDE FILM	
R4765	CRD20TJ103T	RES , CARBON	
R4767	CRD20TJ223T	RES , CARBON	
R4768	CRD20TJ223T	RES , CARBON	
R4769	CRD20TJ152T	RES , CARBON	
R4820	CRD20TJ222T	RES , CARBON	
R4821	CRD20TJ222T	RES , CARBON	
R4822	CRD20TJ222T	RES , CARBON	
R4823	CRD20TJ564T	RES , CARBON	
R4824	CRD20TJ362T	RES , CARBON	
R4825	CRD20TJ223T	RES , CARBON	
R4826	CRD20TJ222T	RES , CARBON	
R4827	CRD20TJ564T	RES , CARBON	
R4831	CRD20TJ152T	RES , CARBON	
R4832	CRD20TJ681T	RES , CARBON	
R4861	CRD20TJ102T	RES , CARBON	
R4862	CRD20TJ334T	RES , CARBON	
R4863	CRD20TJ473T	RES , CARBON	
R4890	CRD20TJ752T	RES , CARBON	
R4891	CRD20TJ752T	RES , CARBON	
R4893	CRD20TJ103T	RES , CARBON	
R4894	KRG1SANJ100RT	RES , METAL OXIDE FILM	
R4895	CRD20TJ103T	RES , CARBON	
R4901	KRG1SANJ391RT	RES , METAL OXIDE FILM	
R4902	KRG1SANJ391RT	RES , METAL OXIDE FILM	
R4921	C3A206	WIRE , COPPER	
R4922	CRD20TJ102T	RES , CARBON	
R4923	CRD20TJ102T	RES , CARBON	
R4924	CRD20TJ203T	RES , CARBON	
R4925	CRD20TJ132T	RES , CARBON	
R4931	CRD20TJ333T	RES , CARBON	
R4932	CRD20TJ123T	RES , CARBON	
R4933	CRD20TJ562T	RES , CARBON	
R4934	KRG1SANJ4R7RT	RES , METAL(OXIDE)FILM,5%	
R4935	CRD20TJ103T	RES , CARBON	
R4936	KRG1SANJ100RT	RES , METAL OXIDE FILM	

LOAD No.	PARTS No.	DESCRIPTION	SPECIATION
R4937	CRD20TJ104T	RES , CARBON	
R4938	KRG1SANJ100RT	RES , METAL OXIDE FILM	
R4944	CRD25TJ100T	RES , CARBON	
R4945	CRD20TJ103T	RES , CARBON	
R4946	KRG1SANJ470RT	RES , METAL OXIDE FILM	
R4947	CRD20TJ104T	RES , CARBON	
R4951	CRD20TJ153T	RES , CARBON	
R4952	CRD20TJ473T	RES , CARBON	
R4953	CRD20TJ102T	RES , CARBON	
R4957	CRD20TJ332T	RES , CARBON	
R4958	CRD20TJ222T	RES , CARBON	
R4959	CRD20TJ153T	RES , CARBON	
R4961	CRD20TJ153T	RES , CARBON	
R4962	CRD20TJ153T	RES , CARBON	
R4963	CRD20TJ153T	RES , CARBON	
R4964	CRD20TJ153T	RES , CARBON	
R4965	CRD20TJ153T	RES , CARBON	
R4966	CRD20TJ153T	RES , CARBON	
R4968	CRD25TJ223T	RES , CARBON	
R4969	CRD25TJ223T	RES , CARBON	
R4970	CRD25TJ223T	RES , CARBON	
R4971	CRD25TJ223T	RES , CARBON	
R4976	CRD20TJ153T	RES , CARBON	
R4977	CRD20TJ153T	RES , CARBON	
R4978	CRD20TJ153T	RES , CARBON	
VR410	CVN1RA221B02T	RES , SEMI FIXED (220, B CURVE)	
VR420	CVN1RA221B02T	RES , SEMI FIXED (220, B CURVE)	
VR430	CVN1RA221B02T	RES , SEMI FIXED (220, B CURVE)	
VR440	CVN1RA221B02T	RES , SEMI FIXED (220, B CURVE)	
VR450	CVN1RA221B02T	RES , SEMI FIXED (220, B CURVE)	
VR460	CVN1RA221B02T	RES , SEMI FIXED (220, B CURVE)	
VR470	CVN1RA221B02T	RES , SEMI FIXED (220, B CURVE)	
	CMD1A688	BRACKET , HEAT SINK	
	CMYM70	MAIN HEAT SINK ASS'Y (CMY1A310)	
	CFNKDE1208PTV1	MOTOR , DC BRUSHLESS FAN(80X80X25mm)	
	CMD1A694	BRACKET , FAN	
	CMY1A310	HEAT SINK	
	CRTSYPSX08850JD	POSISTOR , ASS'Y	
Q4115	HVT2SD2390	T.R , POWER	
Q4116	CVT2SB1560P43M	TR , POWER (MICA 43 TYPE)	
Q4215	CVT2SD2390P43M	TR , POWER (MICA 43 TYPE)	
Q4216	CVT2SB1560P43M	TR , POWER (MICA 43 TYPE)	
Q4315	CVT2SD2390P43M	TR , POWER (MICA 43 TYPE)	
Q4316	CVT2SB1560P43M	TR , POWER (MICA 43 TYPE)	
Q4415	CVT2SD2390P43M	TR , POWER (MICA 43 TYPE)	
Q4416	CVT2SB1560P43M	TR , POWER (MICA 43 TYPE)	
Q4515	CVT2SD2390P43M	TR , POWER (MICA 43 TYPE)	
Q4516	CVT2SB1560P43M	TR , POWER (MICA 43 TYPE)	
Q4615	CVT2SD2390P43M	TR , POWER (MICA 43 TYPE)	
Q4616	CVT2SB1560P43M	TR , POWER (MICA 43 TYPE)	
Q4715	CVT2SD2390P43M	TR , POWER (MICA 43 TYPE)	
Q4716	HVT2SB1560	T.R , POWER	
BN410	CWZM80BN410	WIRE ASS'Y (2PIN,3.96mm,STRAIGHT LUG,#18)	
BN411	CWZM80BN411	WIRE ASS'Y (2PIN,3.96mm,STRAIGHT LUG,#18)	
BN412	CWZM80BN412	WIRE ASS'Y (3PIN,3.96mm,STRAIGHT LUG,#18)	
BN490	CWB1B00540047001	WIRE ASS'Y (SHIELD,5PIN,2mm,400mm,STRAIGHT,#26)	
BN492	CWB1B00530058	WIRE ASS'Y (5PIN,2.5mm,300mm,STRAIGHT,#26)	
BN494	CWB1B00540047	WIRE ASS'Y (9PIN,2mm,400mm,STRAIGHT,#26)	
CN401	CJP13GA115ZY	WAFER , CARD CABLE	



LOAD No.	PARTS No.	DESCRIPTION	SPECIFICATION
CN410	CJP02GA01ZY	WAFER , STRAIGHT, 2PIN	
CN420	CJP02GA01ZY	WAFER , STRAIGHT, 2PIN	
CN430	CJP02GA01ZY	WAFER , STRAIGHT, 2PIN	
CN440	CJP02GA01ZY	WAFER , STRAIGHT, 2PIN	
CN450	CJP02GA01ZY	WAFER , STRAIGHT, 2PIN	
CN460	CJP02GA01ZY	WAFER , STRAIGHT, 2PIN	
CN470	CJP02GA01ZY	WAFER , STRAIGHT, 2PIN	
CN490	CJP15GA98ZM	WAFER	
CN490	CJP15GA98ZY	WAFER	
CN491	CJP05GA98ZY	WAFER	
CN491	CJP07GA98ZM	WAFER , STRAIGHT (2MM,7PIN)	
CN496	CJP03GA89ZY	WAFER	
CN497	CJP02GA01ZY	WAFER , STRAIGHT, 2PIN	
CN498	CJP02GA01ZY	WAFER , STRAIGHT, 2PIN	
CN499	CJP02GA01ZY	WAFER , STRAIGHT, 2PIN	
C4117	CCEA2AH101E	CAP , ELECT	
C4217	CCEA2AH101E	CAP , ELECT	
C4317	CCEA2AH101E	CAP , ELECT	
C4417	CCEA2AH101E	CAP , ELECT	
C4517	CCEA2AH101E	CAP , ELECT	
C4617	CCEA2AH101E	CAP , ELECT	
C4717	CCEA2AH101E	CAP , ELECT	
C4972	CCET63VKL5183NK	CAP , ELECT	
C4973	CCET63VKL5183NK	CAP , ELECT	
D4965	CVDGBJ1506BGA	M80 DIODE HEAT SINK ASS'Y (CMY4A138)	
	HVDGBJ1506	HEAT SINK , DIODE	
IC485	CVIKIA78R05PIGA	I.C , REGULATOR ASS'Y	ONLY C VERSION
	HVIKIA78R05PI	I.C , REGULATOR 5A	ONLY C VERSION
IC487	BVIKP1010B	IC, PHOTO COUPLER	
IC491	HVICD4094BE	I.C , SHIFT REGISTER	
JK484	CJJ9W001Z	JACK , 9P D-SUB FEMALE(RS-232C, SEMCO)	
JK485	CJS6V001Z	JACK ,	
JK486	CJJ2D012Z	JACK , PHONE(3.5mm/GREEN IPOD DATA PORT)	
JK487	HJJ1D002Z	JACK , STEREO(2P 3.5PIE)	
JK489	HJJ1D002Z	JACK , STEREO(2P 3.5PIE)	
JK492	CJJ5N005Z	TERMINAL , SP (R/B)	
JK494	CJJ5P011Z	TERMINAL , SPEAKER	
JK495	CJJ5Q007Z	TERMINAL,SP(RRRR/BBBB)	
JW410	CWE8102100VV	WIRE , BLACK	
JW411	CWE8112120VV	WIRE ASS'Y (1PIN,120mm,LUG,#18,RED)	
JW412	CWE8101120VV	WIRE ASS'Y (1PIN,120mm,LUG,#18,BLUE)	
L4126	CLEY0R5KAK	COIL , SPEAKER	
L4226	CLEY0R5KAK	COIL , SPEAKER	
L4326	CLEY0R5KAK	COIL , SPEAKER	
L4426	CLEY0R5KAK	COIL , SPEAKER	
L4526	CLEY0R5KAK	COIL , SPEAKER	
L4626	CLEY0R5KAK	COIL , SPEAKER	
L4726	CLEY0R5KAK	COIL , SPEAKER	
Q4112	CVTKTD1028BATP	T.R	
Q4212	CVTKTD1028BATP	T.R	
Q4312	CVTKTD1028BATP	T.R	
Q4412	CVTKTD1028BATP	T.R	
Q4512	CVTKTD1028BATP	T.R	
Q4612	CVTKTD1028BATP	T.R	
Q4712	CVTKTD1028BATP	T.R	
RY491	CSL3A018ZE	RELAY	
RY492	CSL3A018ZE	RELAY	
RY494	CSL3A018ZE	RELAY	
RY495	CSL3A018ZE	RELAY	

LOAD No.	PARTS No.	DESCRIPTION	SPECIATION
RY496	CSL3A018ZE	RELAY	
R4118	CRF5EKR22X2	RES , CEMENT	
R4218	CRF5EKR22X2	RES , CEMENT	
R4318	CRF5EKR22X2	RES , CEMENT	
R4418	CRF5EKR22X2	RES , CEMENT	
R4518	CRF5EKR22X2	RES , CEMENT	
R4618	CRF5EKR22X2	RES , CEMENT	
R4718	CRF5EKR22X2	RES , CEMENT	
R4828	CRF5EKR10H	RES , CEMENT	
R4829	CRF5EKR10H	RES , CEMENT	
SW480	CST1A010Z	SW , TACT	
TH492	CJP02GA01ZY	WAFER , STRAIGHT, 2PIN	
	<b>CUAT747AH</b>	<b>BOTTOM CHASSIS ASS'Y</b>	
	CWC4C4A21B200B10	SCREW , SPECIAL	
	CLT5V049ZU	T737AH POWER TRANS	ONLY AH VERSION
	CLT5V049ZE	T737C POWER TRANS	ONLY C VERSION
	CLZ9W003Z	FERRITE , RING	
	CLZ9Z071Z	FERRITE , CORE	
	CMD1A495	COVER , SCREW	
	CNVMB014MA0J8LS	MODULE , TUNER USA	ONLY AH VERSION
	CNVMB014MA1J8L	MODULAE , TUNER EUR	ONLY C VERSION
	CWC4C4A13B120B10	CABLE , CARD(13P, 120MM, 1.25MM)	
	CWC4C4A15B080B10	CABLE , CARD (15P,1.25MM,80MM,B,10MM)	
	CWC4C4A19B100B10	CABLE , CARD (19P, 1.25MM,100MM,B,10MM)	
	CWZPM5003TW91A	2P WIRE ASS'Y(100MM)	
RT01	CJJ8A006ZW	RECEPTACLE , AC(15A/250V,R-301 ,B21)	
TW91	CWZPM5003TW91	2P WIRE ASS'Y(100MM)	
	C4FJ104	TAPE , BOTH SID	
	KBA2C8000TLEY	LITTEL FUSE	ONLY AH VERSION
	KBA2C6300TLEY	FUSE	ONLY C VERSION
F5501	KBA2D5000A2EYT	FUSE (LITTLE FUSE 382 SERIES)	
F5502	KBA2D5000A2EYT	FUSE (LITTLE FUSE 382 SERIES)	
F5701	KJCFCS5	HOLDER , FUSE	
F5702	KBA2D2500TLET	FUSE	
GND51	HJT1A025	PALTE , EARTH	
		<b>ACCESSORY</b>	
	CPG1A882Z	BOX , OUT CARTON T737AH	
	CQXT737AH	INSTRUCTION MANUAL ASS'Y	
	CABR6PPB	BATTERY , AA 2 PCS IN PACK	
	CARTT747U	REMOCON ASS'Y (43KEY)	
	CJA2A070Z	CORD , POWER(PLUG+SOCKET)UL	
	CQE1A184Z	CARD, WARRANTY	
	CQX1A1408Z	MANUAL , INSTRUCTION T737C	
	CSA1A019Z	FM 1 POL ANT(UL)	
	CSA1A020Z	ANT , AM LOOP	
	CGR1A476B29	COVER , JACK	